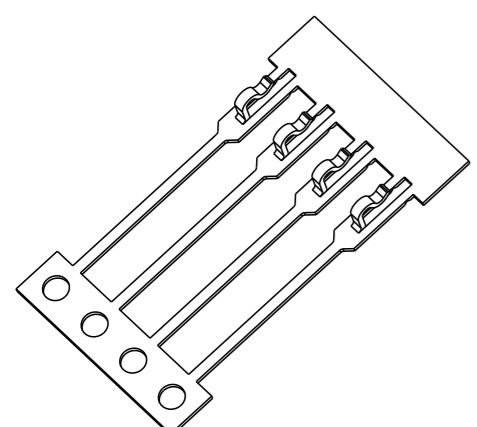
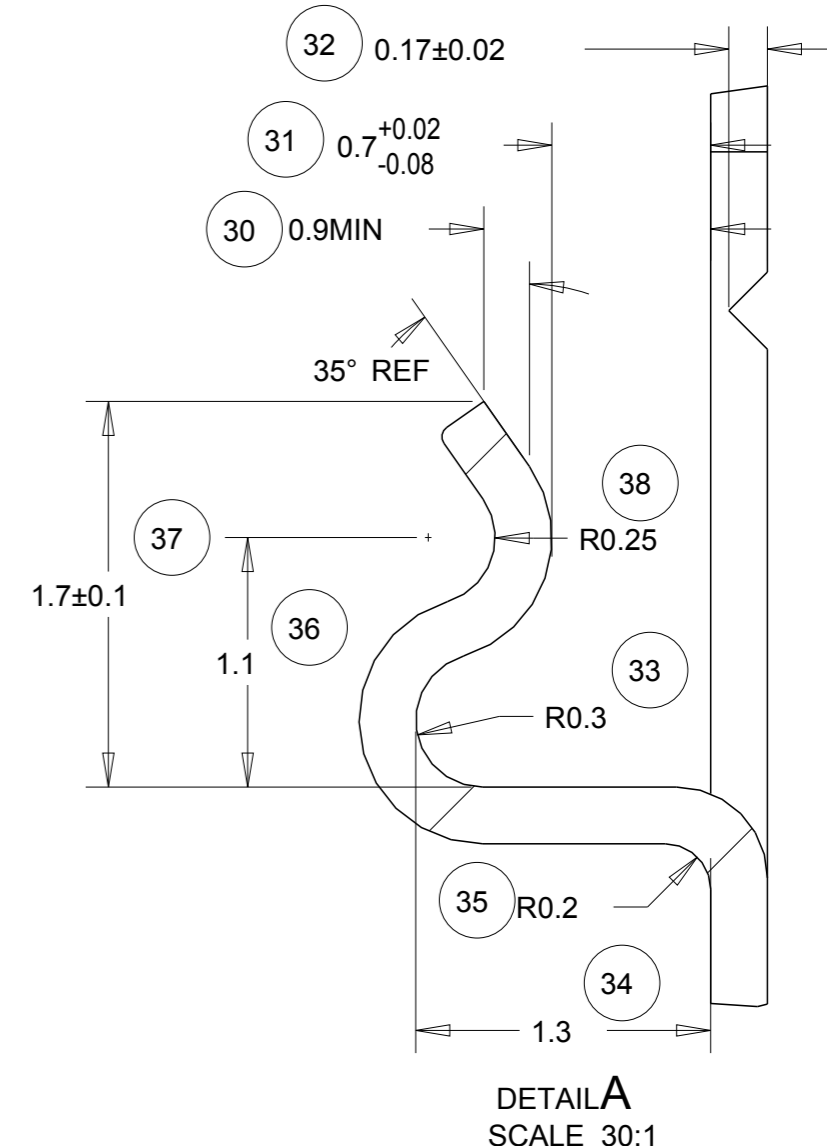
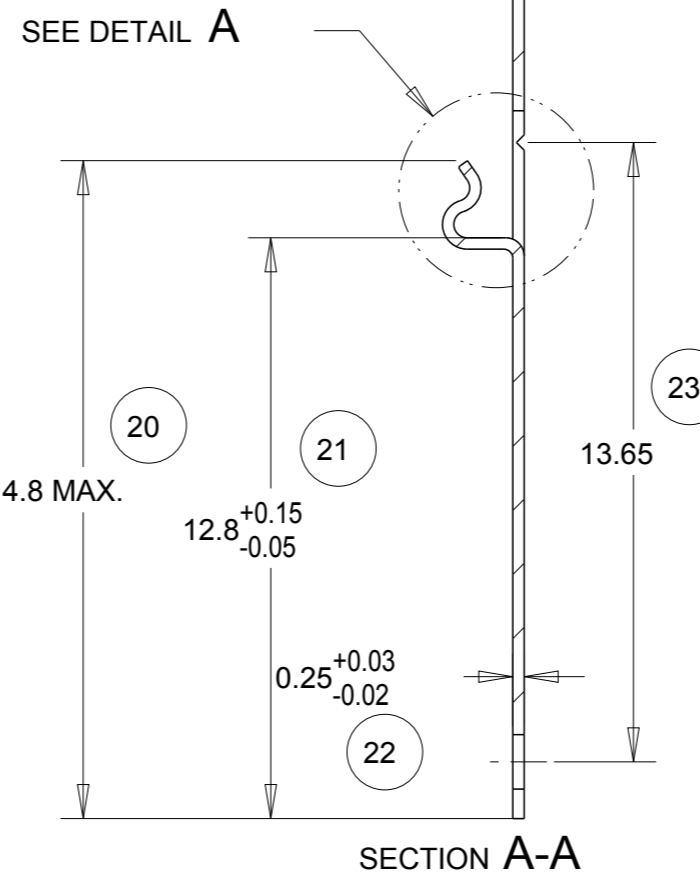
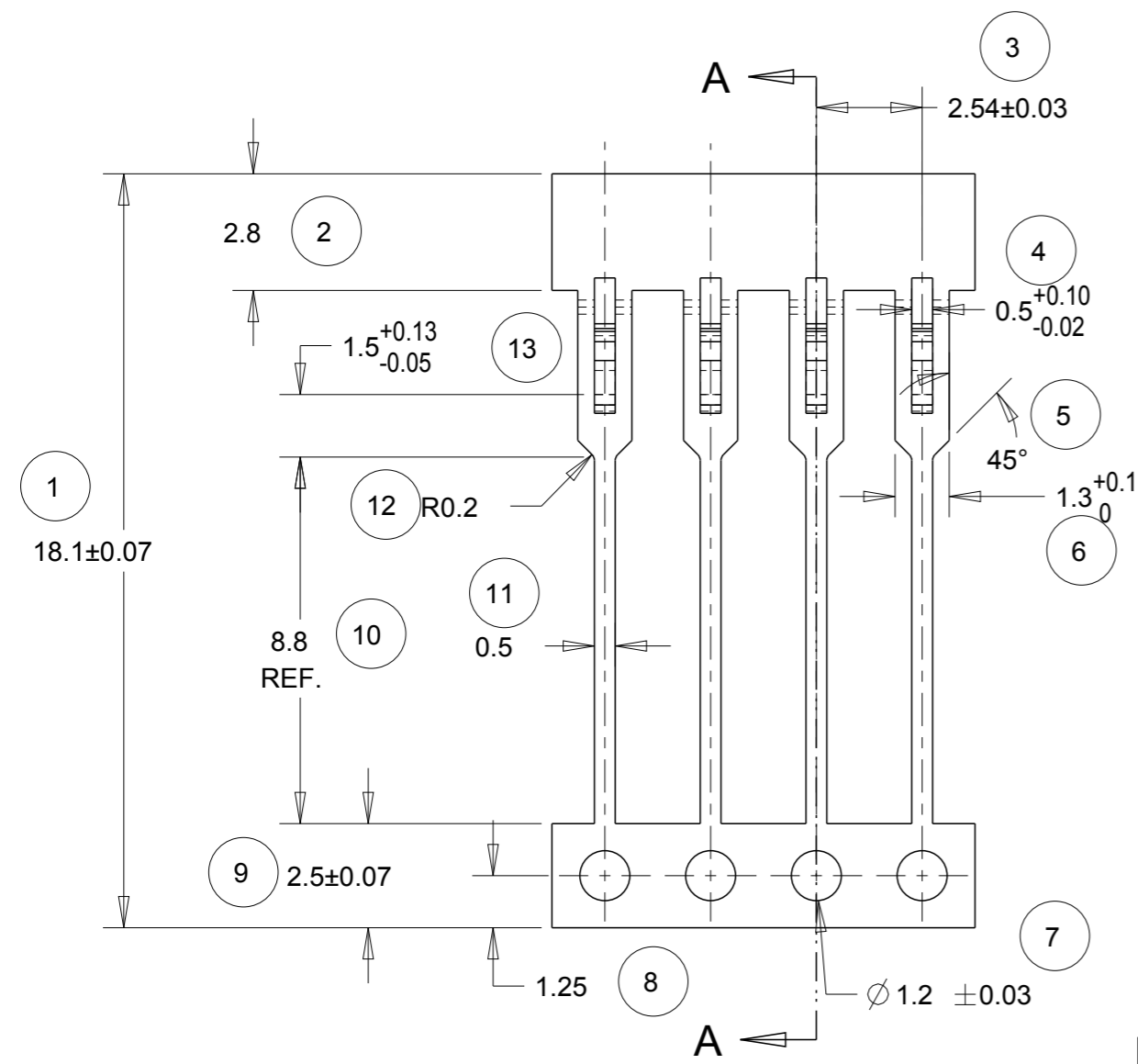


THIS DRAWING IS UNPUBLISHED. RELEASED FOR PUBLICATION 2011  
 © COPYRIGHT 2011 TE CONNECTIVITY ALL RIGHTS RESERVED.

LOC	DIST	REVISIONS			
P	LTR	DESCRIPTION	DATE	DWN	APVD
B	-				
	D	ECR-11-015005	19/07/11	JB	MG
	E	ECR-11-015626	02/08/11	MJG	JA



SCALE 3:1

NOTE  
 BOWING: AFTER UPPER TIE BAR REMOVAL- 1.5mm MAX. FOR 500mm  
 PITCH: AFTER UPPER TIE BAR REMOVAL- 2.54±0.127

REELING DETAILS	
	DIRECTION "0" CONTACTS DOWN
	DIRECTION "1" CONTACTS UPWARDS
DIRECTION OF TOP OF REEL	DIRECTION

0	Ni & Sn	Ph Bz	1544337-2
REELING	FINISH	MATERIAL	PART NO

THIS DRAWING IS A CONTROLLED DOCUMENT.		DWN J.BRIGHT 19/07/11		
DIMENSIONS: mm		CHK M.GREENER 19/07/11		
TOLERANCES UNLESS OTHERWISE SPECIFIED:		APVD D.PENNINGTON 19/07/11	NAME	
0 PLC ±-		PRODUCT SPEC	SIL CONTACT	
1 PLC ±0.1		APPLICATION SPEC	SIZE CAGE CODE DRAWING NO RESTRICTED TO	
2 PLC ±0.05		WEIGHT	A300779 C-1544337	
3 PLC ±-		CUSTOMER DRAWING	SCALE NTS SHEET 1 OF 1 REV E	
4 PLC ±-				
ANGLES ±0.5				
FINISH -				