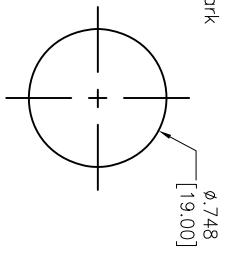
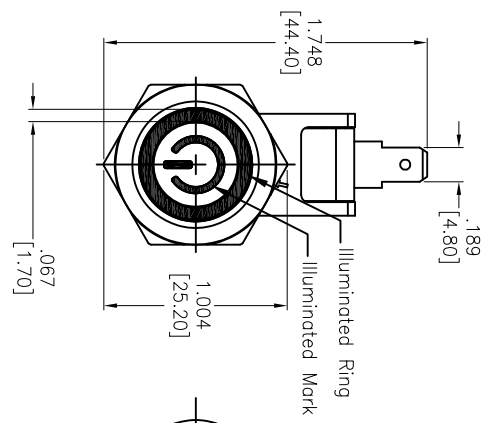
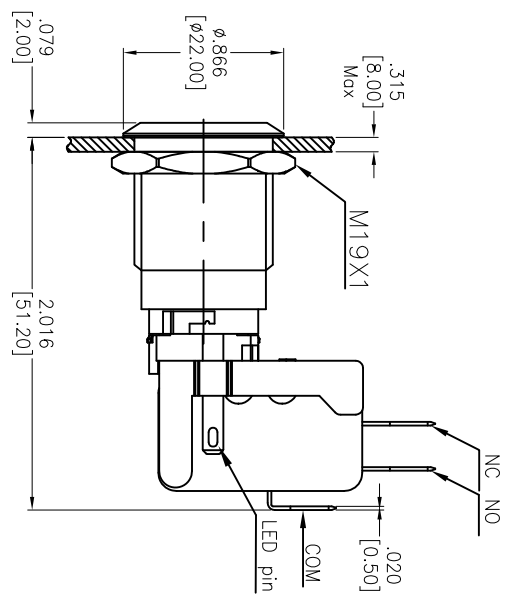
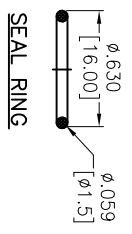
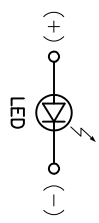
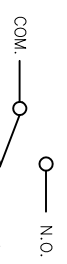


APPROVED: \_\_\_\_\_  
 DATE: \_\_\_\_\_ TITLE: \_\_\_\_\_

Rev	AWO #	Description	Date	Appr
-		RELEASED	11/21/21	
A		UPDATE SPEC.	11/12/21	WX/RC



PB7-06LB22FFPXXXXX



LED Ring Color	LED Voltage
R Red	6V AC/DC
G Green	12V AC/DC
Y Yellow	24V AC/DC
O Orange	110V AC/DC
B Blue	110V AC/DC
W White	220V AC/DC

Current (In Non electrical Inductive load)	Inductive load
AC250	10
DC8	6
DC30	4
DC125	0.6
DC250	0.3

Current (In Non electrical Inductive load)	Inductive load
AC250	10
DC8	6
DC30	4
DC125	0.6
DC250	0.3

**SPECIFICATIONS:**  
 Material:  
 Body: POM, Rated UL94V-0  
 Bushing: Stainless Steel  
 Button: Stainless Steel  
 Contact Material: Silver Alloy, (4.8mm)  
 Terminal: Brass, Silver plated  
**Electrical:**  
 Voltage Rating: 220V  
 Contact resistance: 50 mΩ max.  
 Insulation resistance: 1000M ohms min @ 500V DC.  
 Dielectric withstanding voltage: 1500V RMS, 50Hz.  
 Electrical Life: 50,000 cycles min at full load.  
 Temperature Rating:  
 Operating temperature: -25°C to +55°C  
 Environmental:  
 IP65 Front Panel Protection  
 Lead free, RoHS compliant



**ADAM TECH**  
 909 Rahway Avenue,  
 Union, NJ 07083  
 Phone: 908-687-5000  
 Fax: 908-687-5710

UNLESS OTHERWISE SPECIFIED ALL DIMENSIONS ARE INCHES [MM]. TOLERANCES: EXCEPT AS NOTED
INCHES: .10 ±.020, .020 ±.015, .015 ±.015
HOLES: .10 ±.015, .015 ±.015
DRAWN: JJ 11/2/21
CHECKED: RC 11/2/21
APPROVED:

TITLE	SIZE	PART NO.	REV.
SWITCH, ANTI-VANDAL, PUSH BUTTON, HIGH CURRENT, SPDT, 19mm, LATCHING, ON-ON	X	PB7-06LB22FFPXXXXX	A
REF: S00198T	SCALE: NTS	SHEET 1 OF 1	