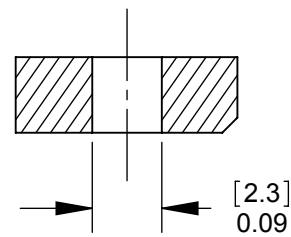
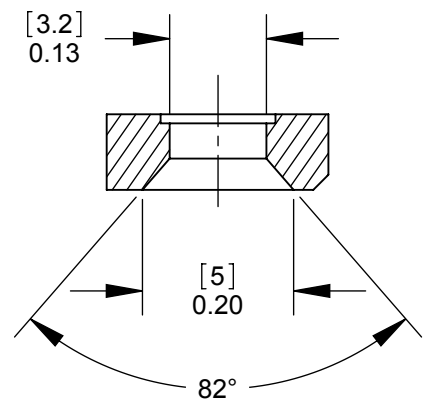


**PD3MSC1
FRONT MOUNT**
SECTION A-A
SCALE 4 : 1



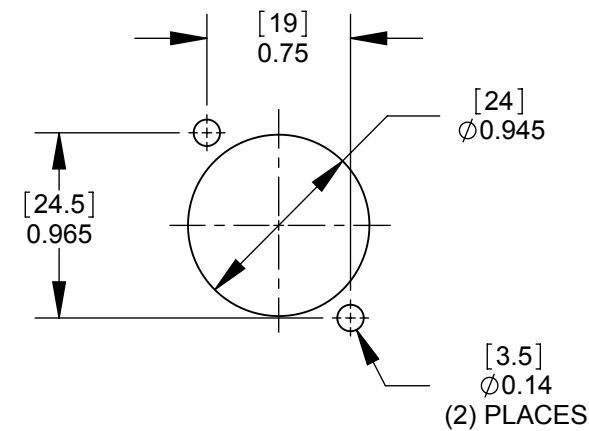
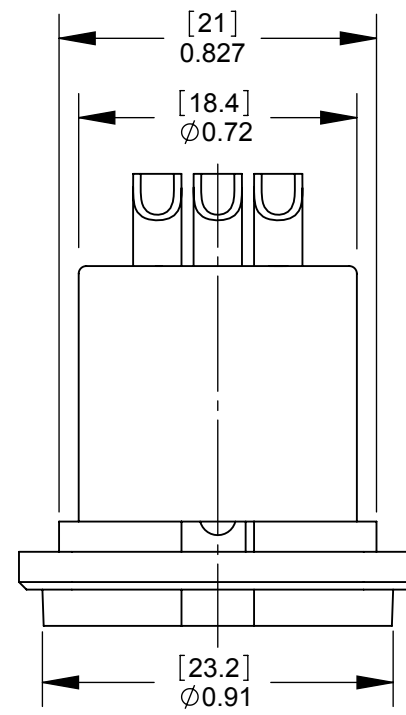
**PD3MSC2
REAR MOUNT**
SECTION A-A
SCALE 4 : 1



**PD3MSC3
REAR MOUNT**
SECTION A-A
SCALE 4 : 1

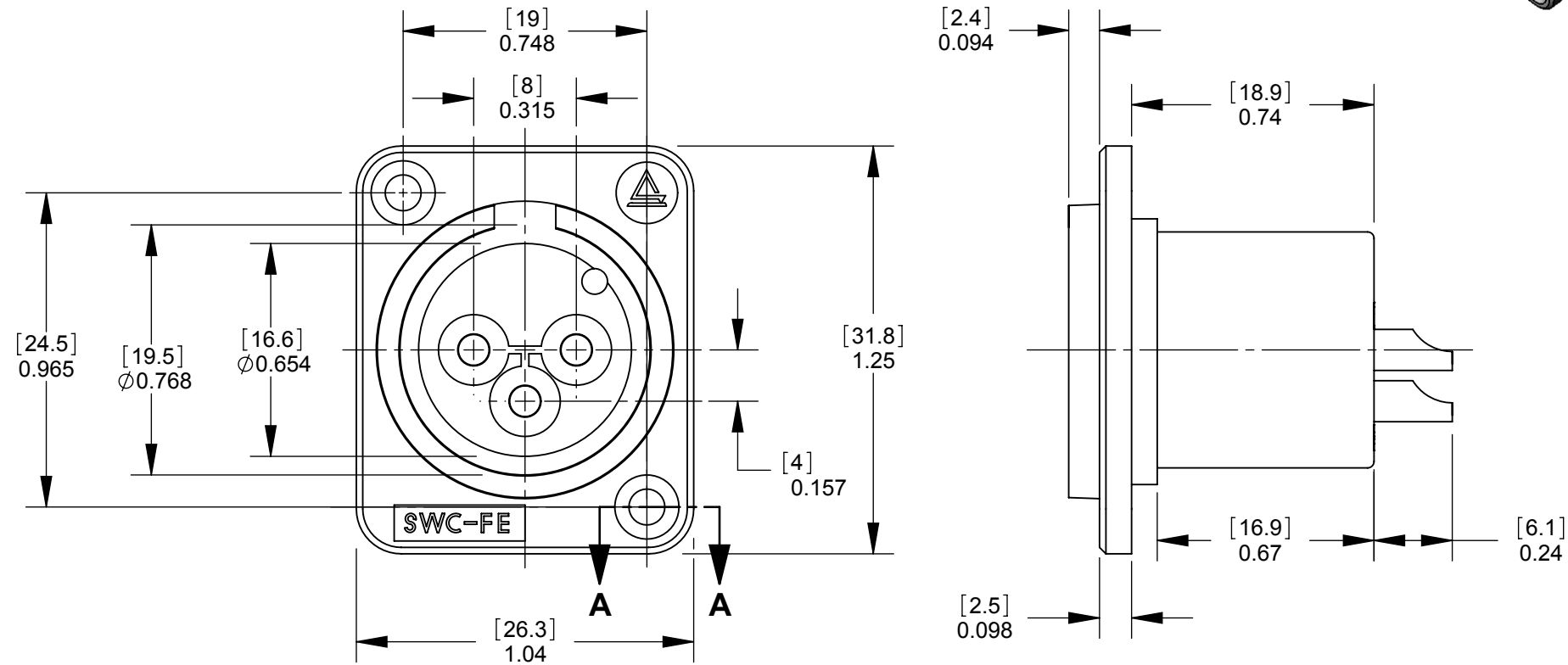
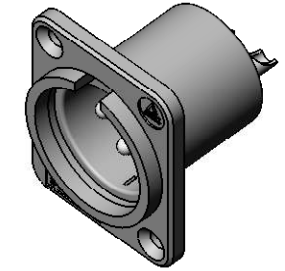
NOTES:

- MATERIALS:
HOUSING - THERMOPLASTIC, BLACK
PINS - COPPER ALLOY (SEE TABLE FOR FINISH)
- THESE PRODUCTS ARE RoHS COMPLIANT.



RECOMMENDED
PANEL CUT-OUT

PART NUMBER	MOUNTING STYLE SEE SECTION A-A	TERMINAL PLATING
PD3MSC1	FRONT MOUNT	SILVER
PD3MSC2	REAR MOUNT	SILVER
PD3MSC3	FRONT MOUNT	SILVER
PD3MSC1AU	FRONT MOUNT	GOLD
PD3MSC2AU	REAR MOUNT	GOLD
PD3MSC3AU	FRONT MOUNT	GOLD



CUSTOMER DRAWING

REV	ECO NUMBER	DATE	BY	APVD
A	22118	1/14/98	RS	TJK
REVISIONS				

UNLESS OTHERWISE SPECIFIED

- ALL DIMENSIONS IN INCHES
- TWO PLACE DECIMALS ±0.02
- THREE PLACE DECIMALS ±0.005

DO NOT SCALE DRAWING

THIS DRAWING DESCRIBES A DESIGN CONSIDERED PROPRIETARY IN NATURE, DEVELOPED AND MANUFACTURED BY SWITCHCRAFT INC. AND IS RELEASED ON A CONFIDENTIAL BASIS FOR IDENTIFICATION PURPOSES ONLY.

SIZE	WIDTH	MULT	LBS/M	*
FINISH			MATERIAL	
SPEC No.			SPEC No.	
FIRST USED ON		SCALE 2:1		
DATE DRAWN	BY	CHKD	APVD	Switchcraft [®]
4/27/10	RS	RS	TJK	
NAME				PART No.
PLASTIC PANEL MOUNT				PD3MSC SERIES
QG CONNECTOR, SOLDERCUP, RoHS				REV A
SHEET 1 OF 1				

SolidWorks CAD File **B**