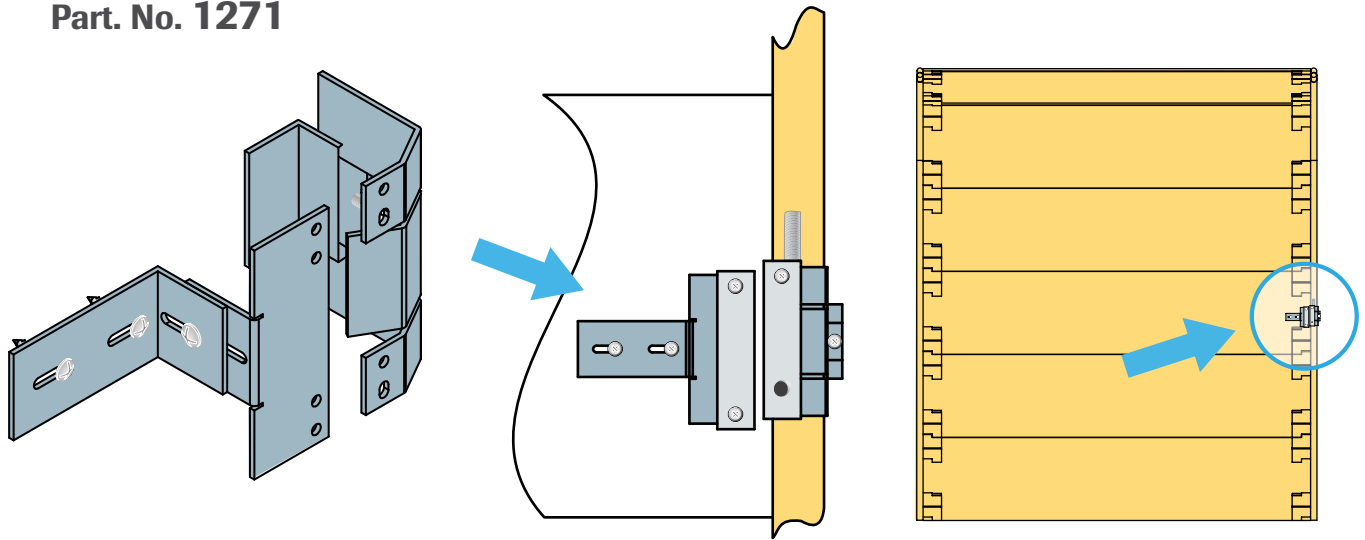


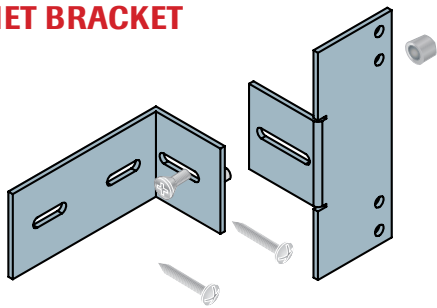


Overhead Door Bracket Kit for MAGNASPHERE L1.5 Models

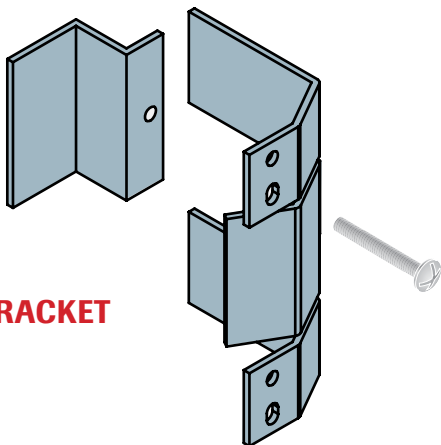
Part. No. 1271



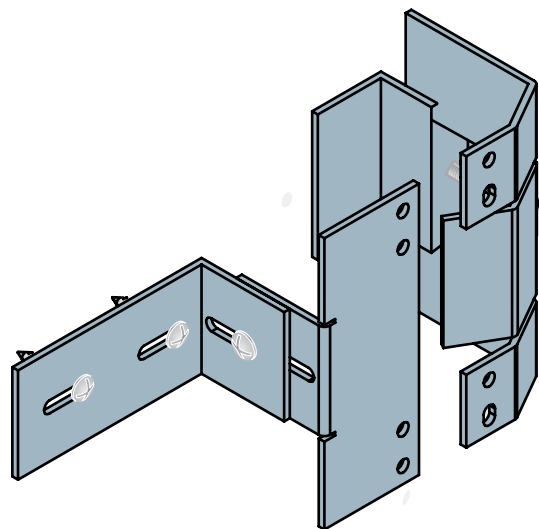
**MAGNET BRACKET**



**DOOR BRACKET**

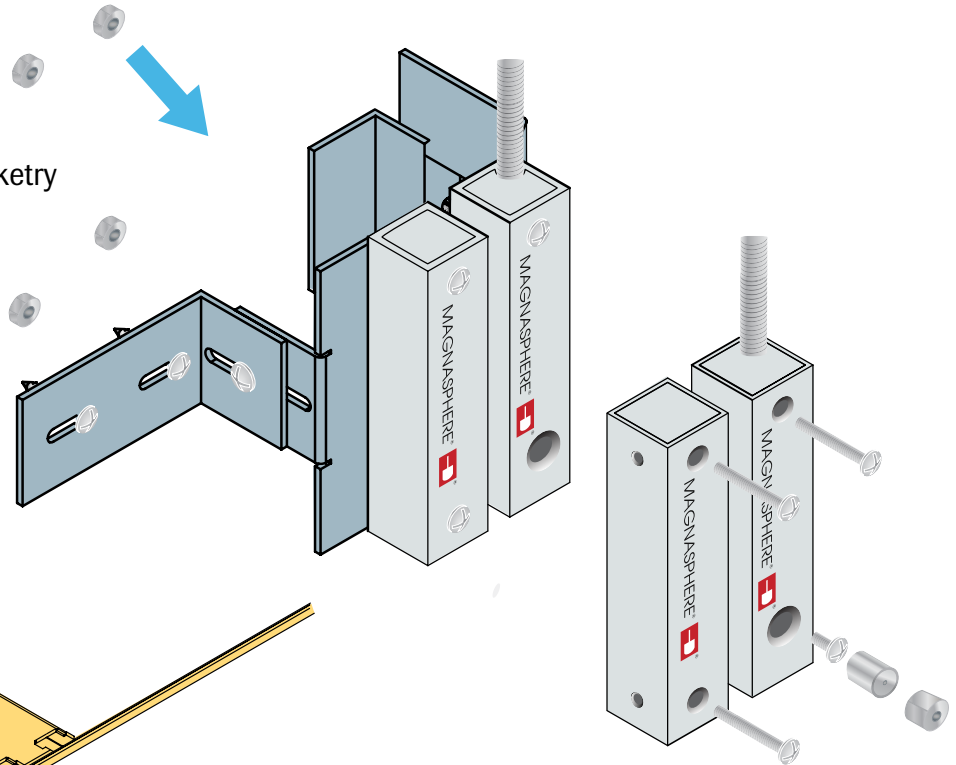


**Bracket Installation**



1. Adjust bracket assembly

2. Affix contact set to bracketry



3. Mount to door panel & rail, wire the switch according to instructions, check the gap & operation of the switch set.

