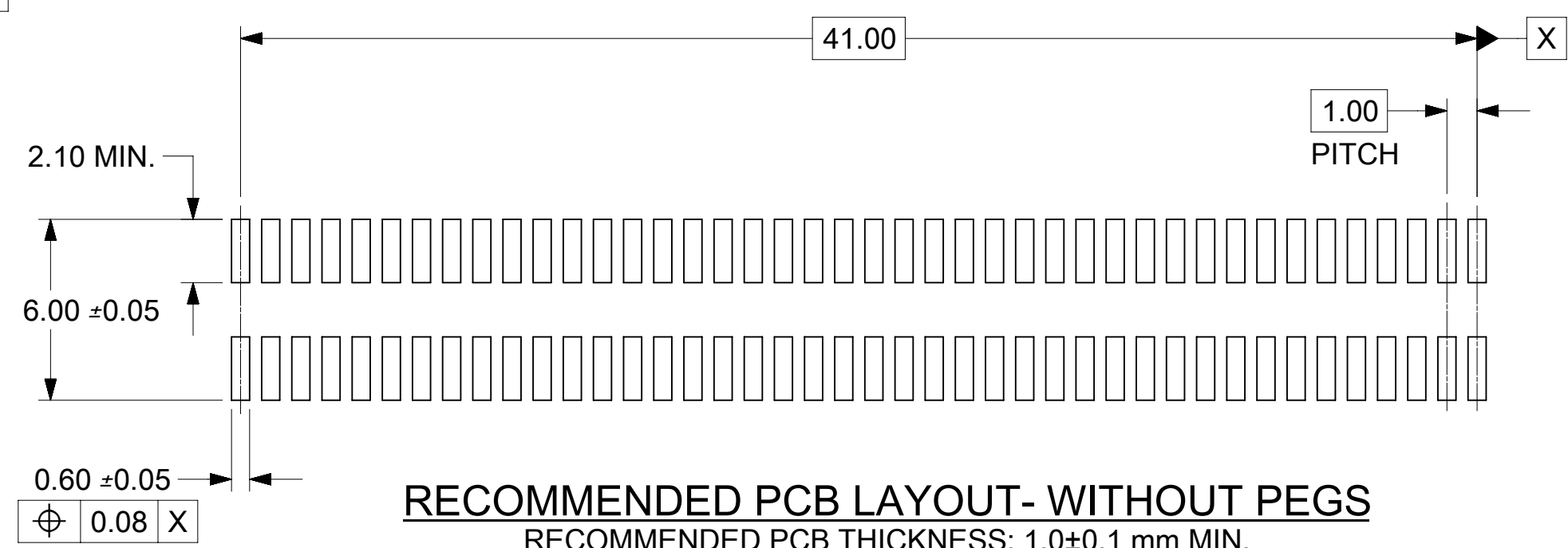
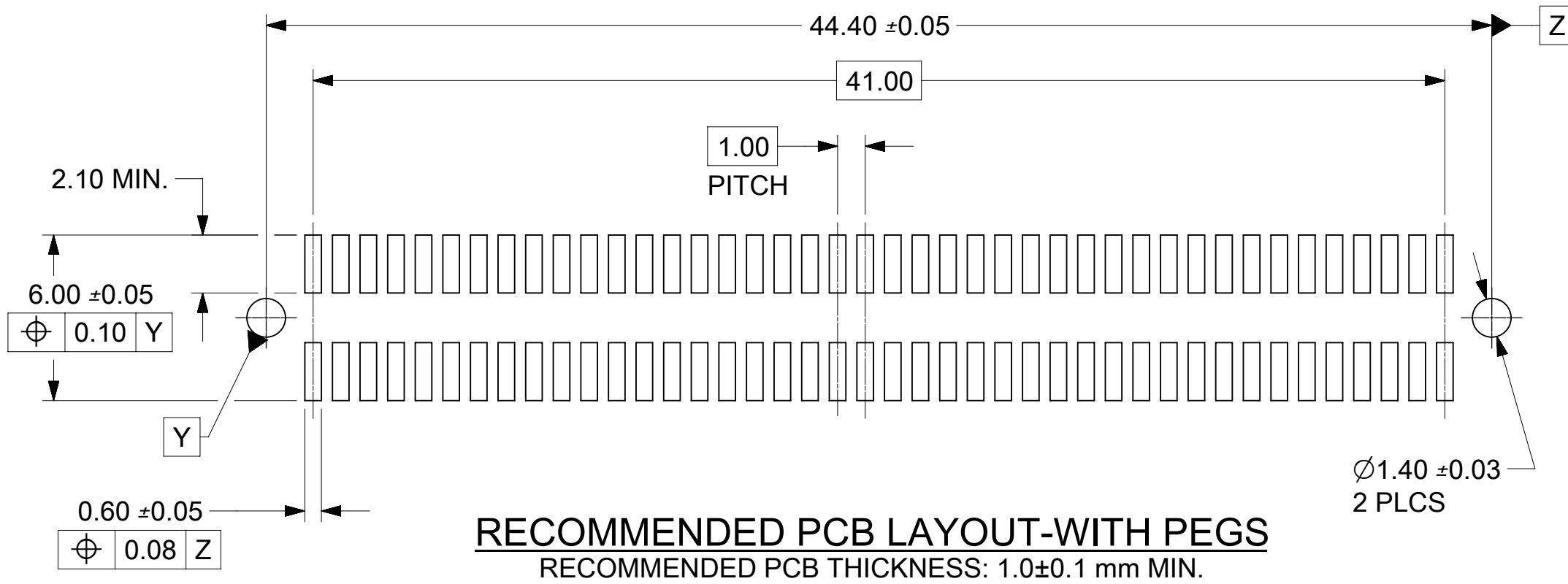
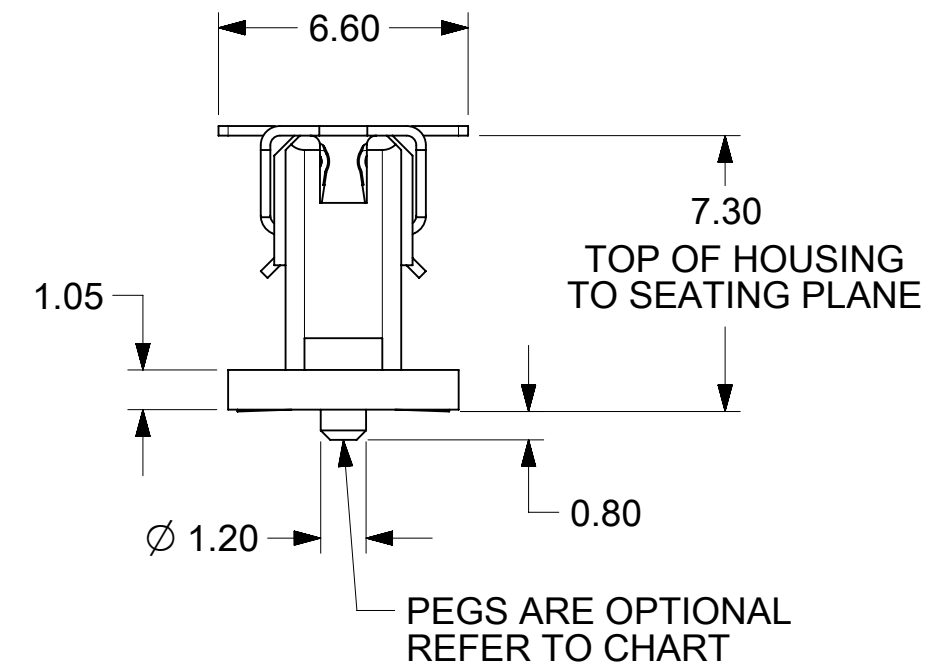
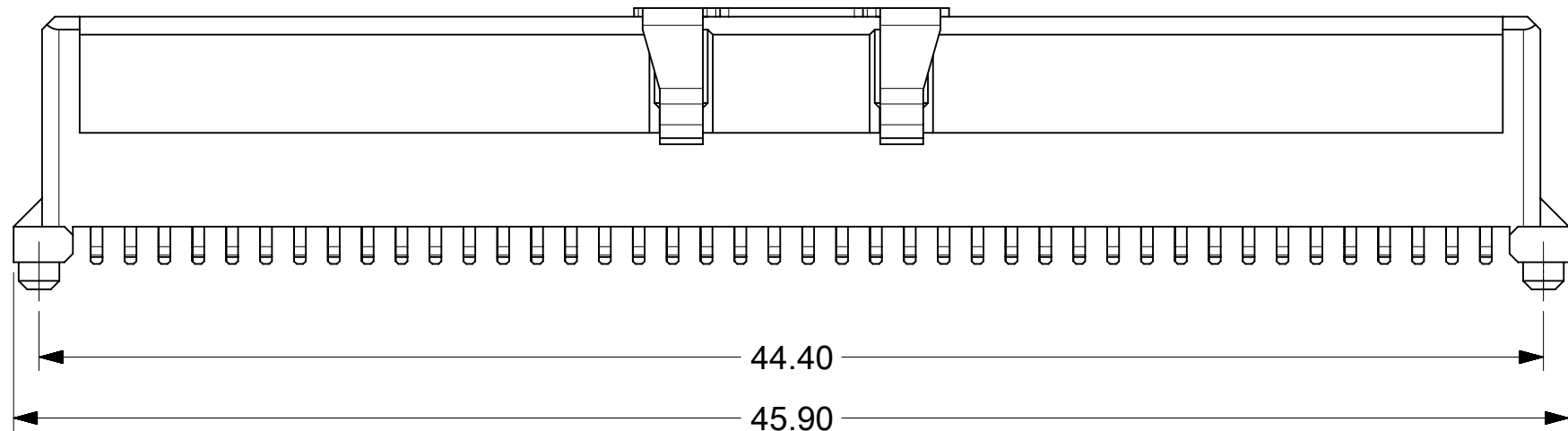


**NOTES:**

- HOUSING MATERIAL : G.F. THERMOPLASTIC; UL RATING ; 94V-0; COLOR: WHITE.  
TERMINAL MATERIAL: PHOSPHOR BRONZE.  
VACUUM CAP MATERIAL: STAINLESS STEEL.
- COPLANARITY OF SMT TAILS: 0.10 MAX.
- PACKAGING SPECIFICATION : REFER TO CHART.



**PLATINGS:**

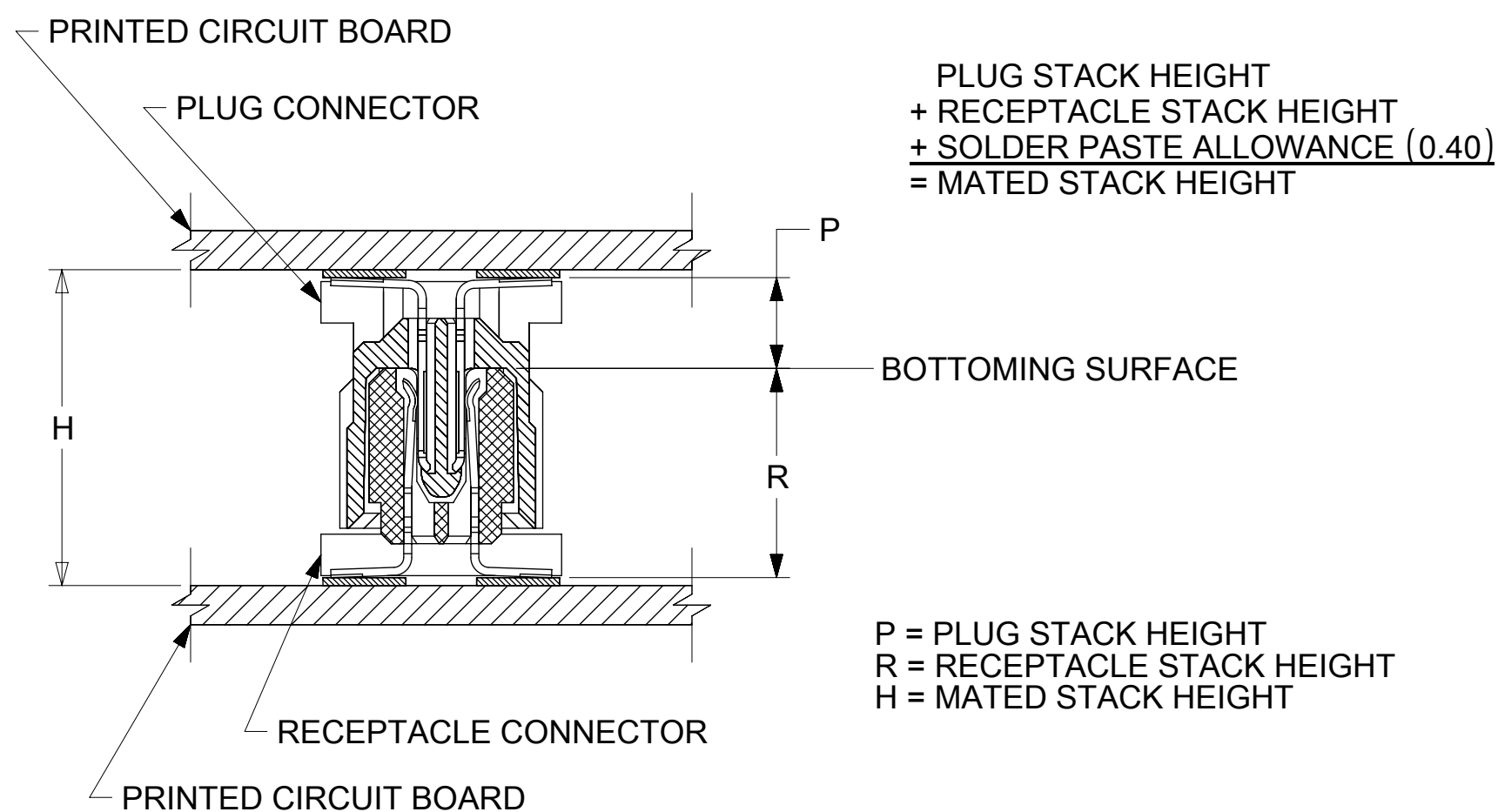
- X21 - .76 MICROMETERS MINIMUM GOLD PLATE IN SELECT AREA, 1.91 MICROMETERS MINIMUM TIN PLATE IN SELECT AREA, OVER NICKEL UNDERPLATE.
- X71 - .25 MICROMETERS MINIMUM GOLD PLATE IN SELECT AREA, 1.02 MICROMETERS MINIMUM TIN PLATE IN SELECT AREA, OVER NICKEL UNDERPLATE.

THIS DRAWING CONTAINS INFORMATION THAT IS PROPRIETARY TO MOLEX ELECTRONIC TECHNOLOGIES, LLC AND SHOULD NOT BE USED WITHOUT WRITTEN PERMISSION									
SYMBOLS		DIMENSION UNITS		SCALE		CURRENT REV DESC: REDRAWN IN NX			
▽ = 0		mm		5:1		<b>molex</b> SALES ASSY, 1.0MM 84 CKT BTB RECEPTACLE CONNECTOR 7.30 STACK HEIGHT PRODUCT CUSTOMER DRAWING			
▽ = 0		GENERAL TOLERANCES (UNLESS SPECIFIED)							
▽ = 0		ANGULAR TOL ± 0.5°							
▽ = 0		4 PLACES ±							
▽ = 0		3 PLACES ±				EC NO: 610884		2018/12/10	
▽ = 0		2 PLACES ± 0.25				DRWN: TTAO03		2019/02/01	
▽ = 0		1 PLACE ±				CHK'D: JKACHLIC		2019/02/01	
▽ = 0		0 PLACES ±				APPR: JKACHLIC		2019/02/01	
□ = 0		DRAFT WHERE APPLICABLE MUST REMAIN WITHIN DIMENSIONS				INITIAL REVISION:			
■ = 0		THIRD ANGLE PROJECTION		DRAWING		SERIES		MATERIAL NUMBER	
▽ = 0		C-SIZE		71742		95/08/14		95/08/14	
DOCUMENT STATUS		P1		RELEASE DATE		2019/02/01		01:16:50	
717422000		PSD		000		A1		1 OF 2	

PART NUMBER	PEGS	PICK & PLACE CAP	PACKAGING SPEC. NUMBER	PACKAGING TYPE	TERMINAL PLATING SEE SHEET 1
71742-2001	YES	YES	PK-70873-063	TAPE & REEL	X71
71742-2002	YES	NO	PK-70873-0601	TUBES	X71
71742-2003	YES	YES	PK-70873-063	TAPE & REEL	X21
71742-2004	YES	NO	PK-70873-0601	TUBES	X21

RECOMMENDED PLUG/RECEPTACLE COMBINATION FOR  
MATED STACK HEIGHT PER EIA STANDARD 700 AAAB

MATED STACK HEIGHT	RECEPTACLE		PLUG		
	STACK HEIGHT	SERIES NUMBER	OVERALL HEIGHT	STACK HEIGHT	SERIES NUMBER
12.00	7.30	71742-2***	8.30	4.30	71741-0***
10.00			6.30	2.30	71741-2***



SYMBOLS		THIS DRAWING CONTAINS INFORMATION THAT IS PROPRIETARY TO MOLEX ELECTRONIC TECHNOLOGIES, LLC AND SHOULD NOT BE USED WITHOUT WRITTEN PERMISSION									
DIMENSION UNITS	SCALE	CURRENT REV DESC: REDRAWN IN NX				DOCUMENT NUMBER		DOC TYPE	DOC PART	REVISION	SHEET NUMBER
mm		EC NO: 610884				717422000		PSD	000	A1	2 OF 2
GENERAL TOLERANCES (UNLESS SPECIFIED)		DRWN: TTAO03 2018/12/10				717422000		PSD	000	A1	2 OF 2
ANGULAR TOL ± 0.5°		CHK'D: JKACHLIC 2019/02/01				717422000		PSD	000	A1	2 OF 2
4 PLACES ±		APPR: JKACHLIC 2019/02/01				717422000		PSD	000	A1	2 OF 2
3 PLACES ±		INITIAL REVISION:				717422000		PSD	000	A1	2 OF 2
2 PLACES ± 0.25		DRWN: JRR 95/08/14				717422000		PSD	000	A1	2 OF 2
1 PLACE ±		APPR: CAB 95/08/14				717422000		PSD	000	A1	2 OF 2
0 PLACES ±		DRAFT WHERE APPLICABLE MUST REMAIN WITHIN DIMENSIONS				717422000		PSD	000	A1	2 OF 2
THIRD ANGLE PROJECTION		DRAWING				717422000		PSD	000	A1	2 OF 2
C-SIZE		SERIES				717422000		PSD	000	A1	2 OF 2
SEE TABLE		CUSTOMER				717422000		PSD	000	A1	2 OF 2
GENERAL MARKET		MATERIAL NUMBER				717422000		PSD	000	A1	2 OF 2