

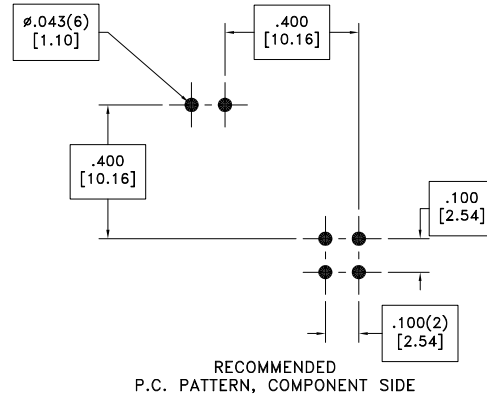
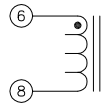
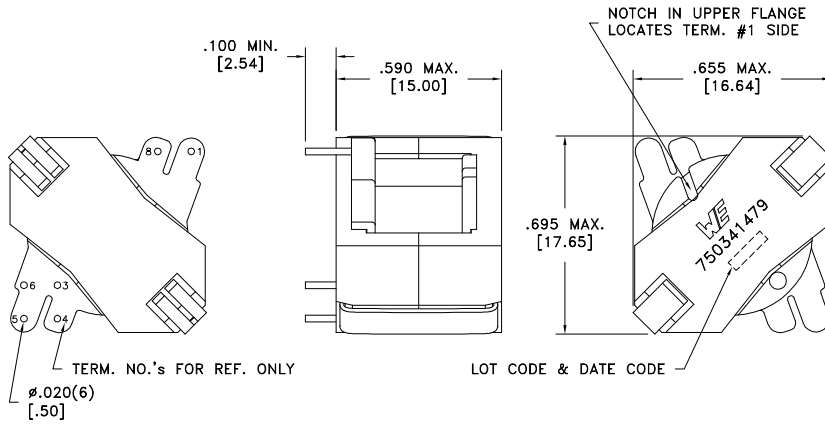
| | | |
|-------------------|------|---------------|
| CUSTOMER TERMINAL | RoHS | LEAD(Pb)-FREE |
| Sn96%, Ag4% | Yes | Yes |

more than you expect



ELECTRICAL SPECIFICATIONS @ 25°C unless otherwise noted:

| PARAMETER | TEST CONDITIONS | VALUE |
|-----------------|-------------------------|-----------------|
| D.C. RESISTANCE | 6-8 @20°C | 1.160 ohms max. |
| INDUCTANCE | 6-8 100kHz, 300mVAC, Ls | 2.20mH ±10% |



Wire insulation & RoHS status not affected by wire color.
Wire insulation color may vary depending on availability.

DETAILS SUBJECT TO CHANGE

| | | | | | | |
|------|------|--|----------------------|--|----------------------------------|------------------------------|
| REV. | DATE | Packaging Specifications Method: Tape & Reel PKG-0155 www.we-online.com/midcom | | Tolerances unless otherwise specified: Angles: ±1° Fractions: ±1/64 Decimals: ±.005 [13] Footprint: ±.001 [03] | DRAWING TITLE INDUCTOR | PART NO. 750341479 |
| 6A | 3/13 | SEE REVISION SHEET FOR REVISION LEVEL | CONVENTION PLACEMENT | This drawing is dual dimensioned. Dimensions in brackets are in millimeters. | eiSos p/n: 750341479 | SPECIFICATION SHEET 1 OF 1 |