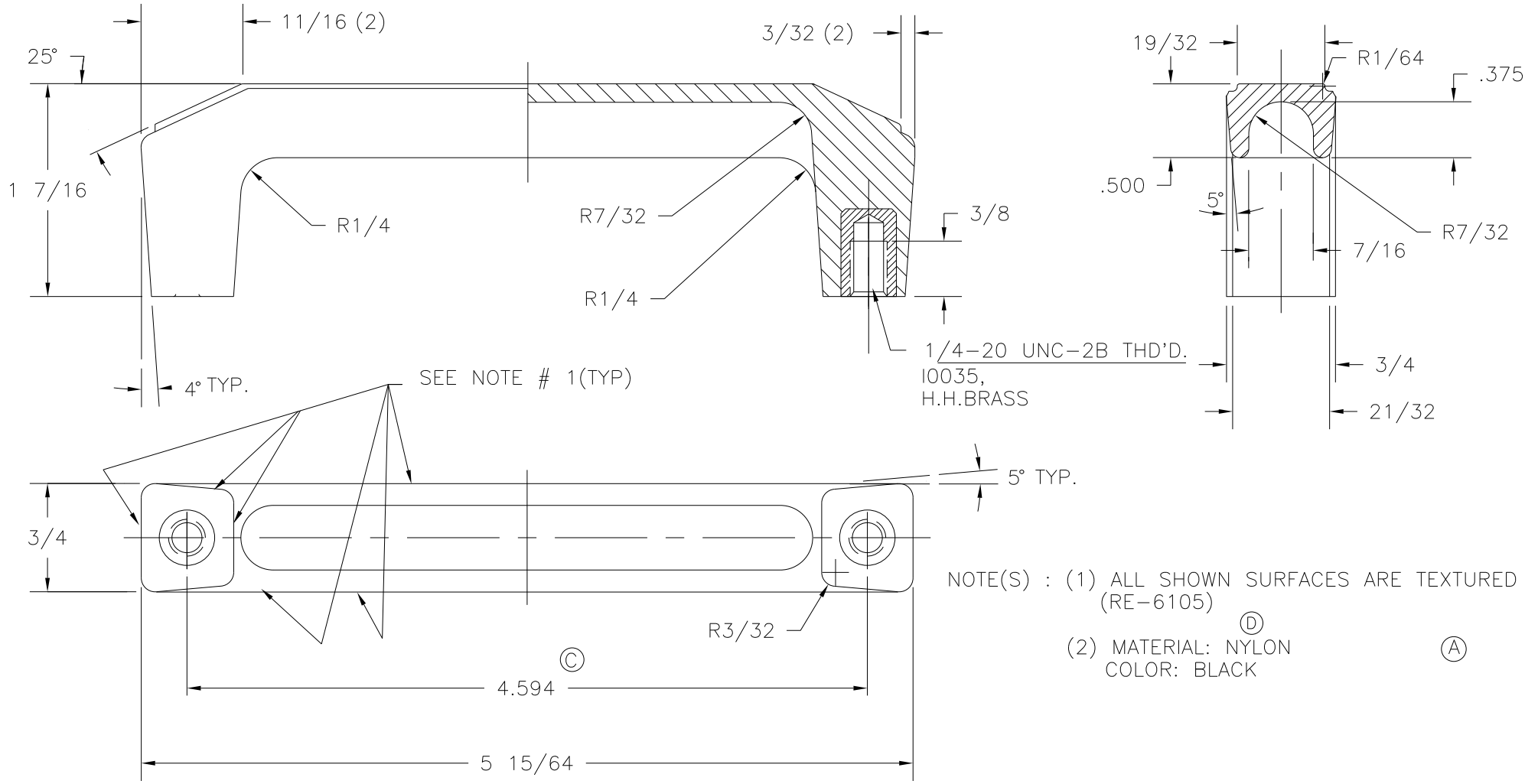


PART NAME: HANDLE SCALE: 1:1 DATE: 2/21/86 DR. BY HD  
 THIS DRAWING IS THE PROPERTY OF DAVIES MOLDING COMPANY, IS SUBMITTED SOLELY AS A DESIGN OR ENGINEERING PROJECT.  
 WE ACCEPT NO RESPONSIBILITY WHATSOEVER FOR THE PRACTICAL APPLICATION OF THE PIECES MADE TO THIS DESIGN.

**DAVIES MOLDING** DESIGNERS & MANUFACTURERS OF KNOBS, HANDLES, CASES & CUSTOM PLASTIC COMPONENTS

|            |            |
|------------|------------|
| P/N 4580-B |            |
| M NO.      | FRAME # 53 |
| CAVITY     | 4580       |
| CORE       | 4580       |
| PIN        | 4580-B     |
| INSERT     | 10035      |

CAD/REDRAWN : 6/28/93 : HD



NOTE(S) : (1) ALL SHOWN SURFACES ARE TEXTURED (RE-6105)  
 (2) MATERIAL: NYLON (D)  
 COLOR: BLACK (A)

|   |                                  |         |                   |     |           |
|---|----------------------------------|---------|-------------------|-----|-----------|
| TOLERANCES:<br>UNLESS OTHERWISE SPECIFIED | DO NOT SCALE<br>DRAWING          | D       | WAS POLYPROPYLENE | JAM | 8/20/09   |
|   |                                  | C       | WAS 4 35/64 (B)   | ST  | 8/15/2000 |
| DECIMALS: X.XXX ± .005<br>X.XX ± .015     | MM: X.XX ± 0.15MM<br>X.X ± 0.4MM | B       | WAS 4.606         | HD  | 10/21/94  |
|   |                                  | A       | MAT'L WAS ABS     | HD  | 4/4/94    |
| FRACTIONS ± 1/64                          | ANG. ± 1°                        | CHANGES |                   |     |           |