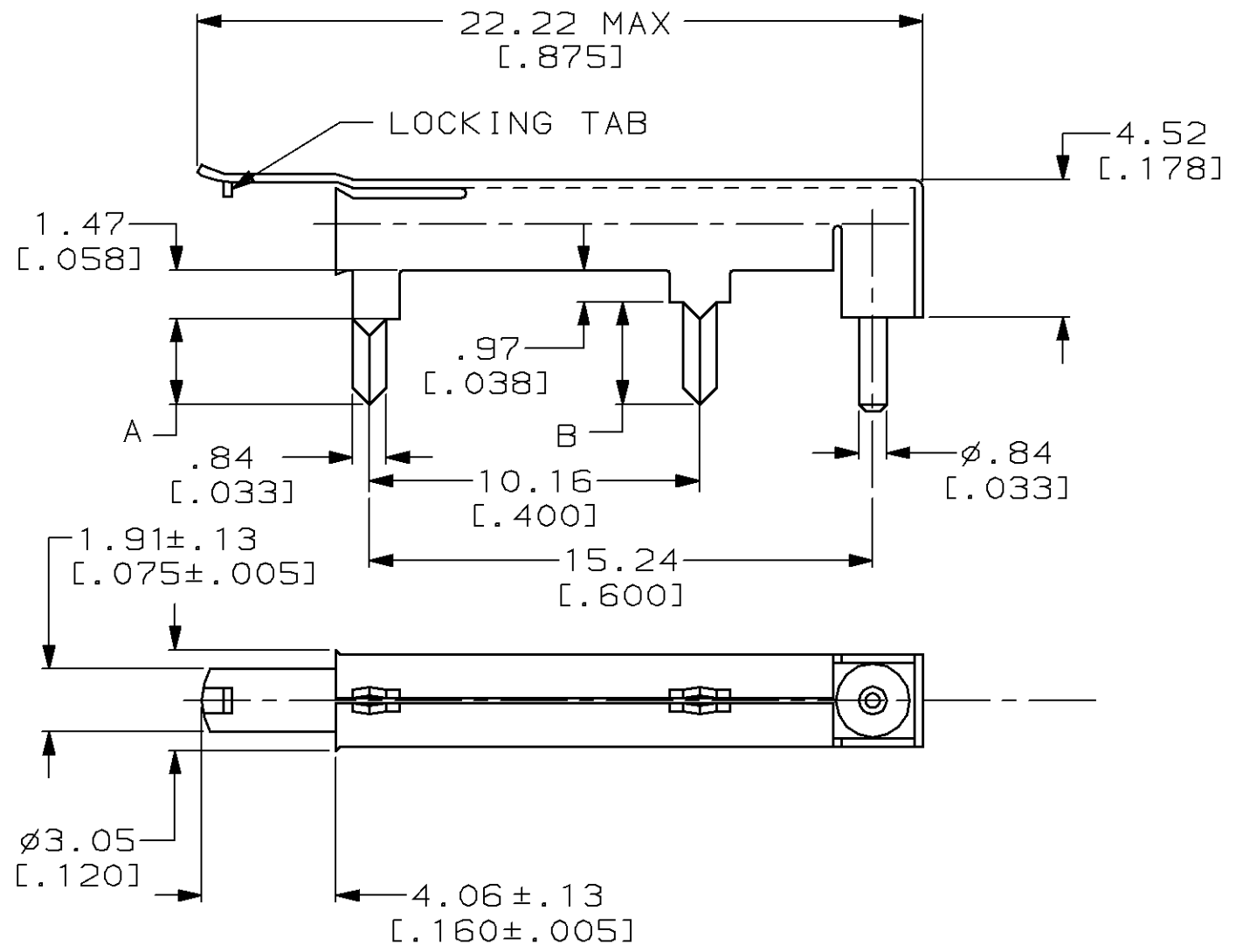
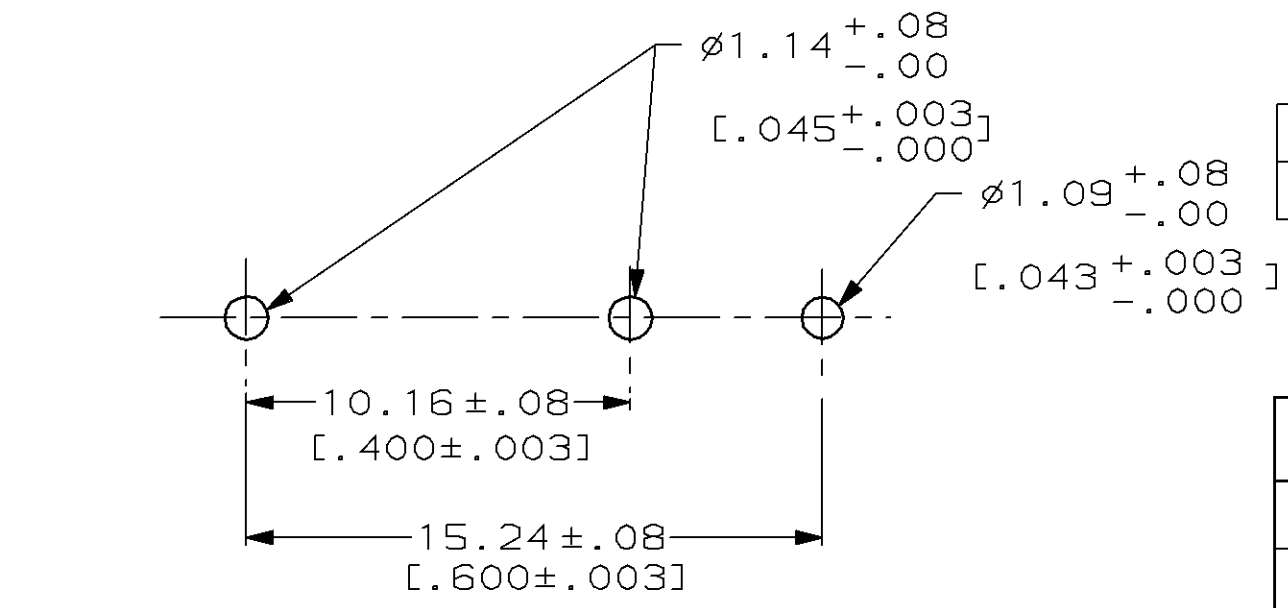


THIS DRAWING IS UNPUBLISHED. RELEASED FOR PUBLICATION, 19 .
 © COPYRIGHT 19 BY AMP INCORPORATED. ALL RIGHTS RESERVED.

LOC	DIST	REVISIONS					
		P	LTR	DESCRIPTION	DATE	DWN	APVD
AJ	16		J	OBS -2,-3 PER 0220-0615-94	5/DEC/94	JD	JM



- DO NOT INSERT THE MATING CONTACT UNTIL THE PCB CONTACT IS SOLDERED TO BOARD
- BRASS PER MIL-C-50
- BRONZE PER ASTM-B-140
- POLYESTER THERMOPLASTIC, GENERAL PURPOSE
- GOLD PL PER MIL-G-45204
- COPPER PL PER MIL-C-14550
- BRIGHT TIN LEAD PL PER ASTM-B-545
- FOR USE WITH SHORT SUBMINIATURE PIN ASSY



RECOMMENDED MOUNTING DIMENSIONS

OBSOLETE	1.57 [.062]	5 6 7	3.05 [.120]	2.54 [.100]	226060-3
OBSOLETE	3.17 [.125]	5 6	4.49 [.177]	3.99 [.157]	226060-2
	1.57 [.062]	5 6	3.05 [.120]	2.54 [.100]	226060-1
BOARD THK	FINISH	B DIM	A DIM	PART NUMBER	

THIS DRAWING IS A CONTROLLED DOCUMENT FOR AMP INCORPORATED. IT IS SUBJECT TO CHANGE AND THE CONTROLLING ENGINEERING ORGANIZATION SHOULD BE CONTACTED FOR THE LATEST REVISION.		DWN J.DAVIS 5/DEC/94	AMP AMP Incorporated Harrisburg, PA 17105-3608
DIMENSIONS: mm [INCHES]		CHK J.McLEOD 5/DEC/94	
TOLERANCES UNLESS OTHERWISE SPECIFIED: 0 PLC ±- 1 PLC ±- 2 PLC ±.020 [.008] 3 PLC ±- 4 PLC ±- ANGLES ±- FINISH		APVD J.McLEOD 5/DEC/94	NAME SUBMIN COAX PRINTED CIRCUIT BOARD CONTACT
MATERIAL 2 3 4		PRODUCT SPEC -	SIZE A3
SEE TABLE		APPLICATION SPEC -	CAGE CODE 00779
		WEIGHT .45 g [.016 oz]	DRAWING NO C-226060
		CUSTOMER DRAWING	SCALE NTS
			SHEET 1 OF 1
			REV J