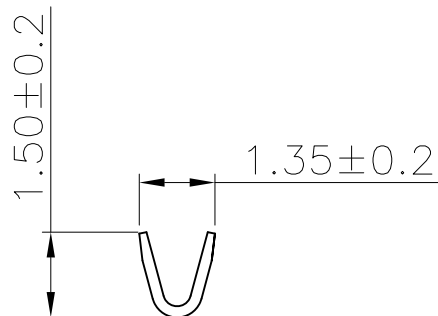
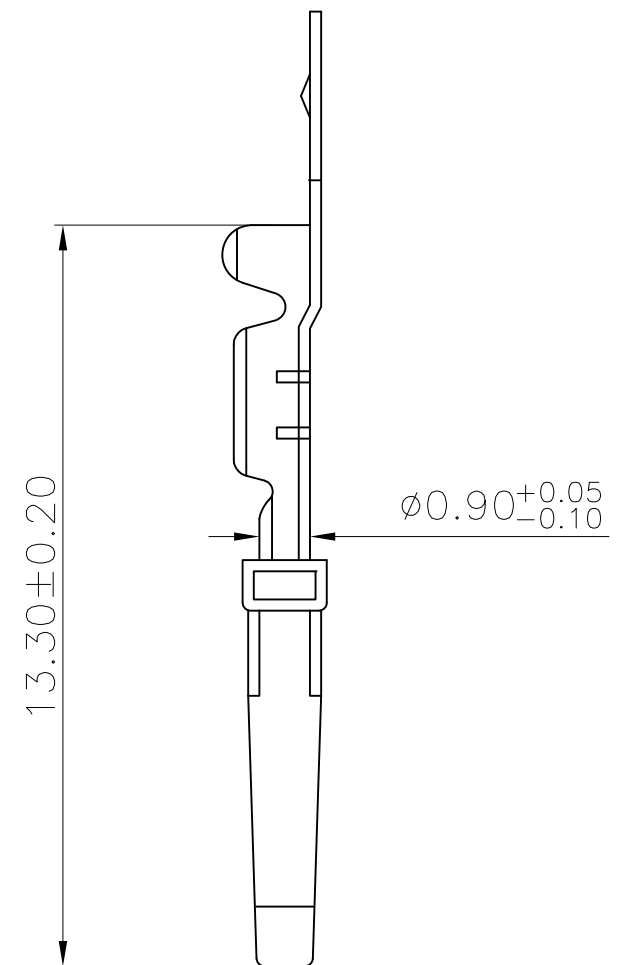
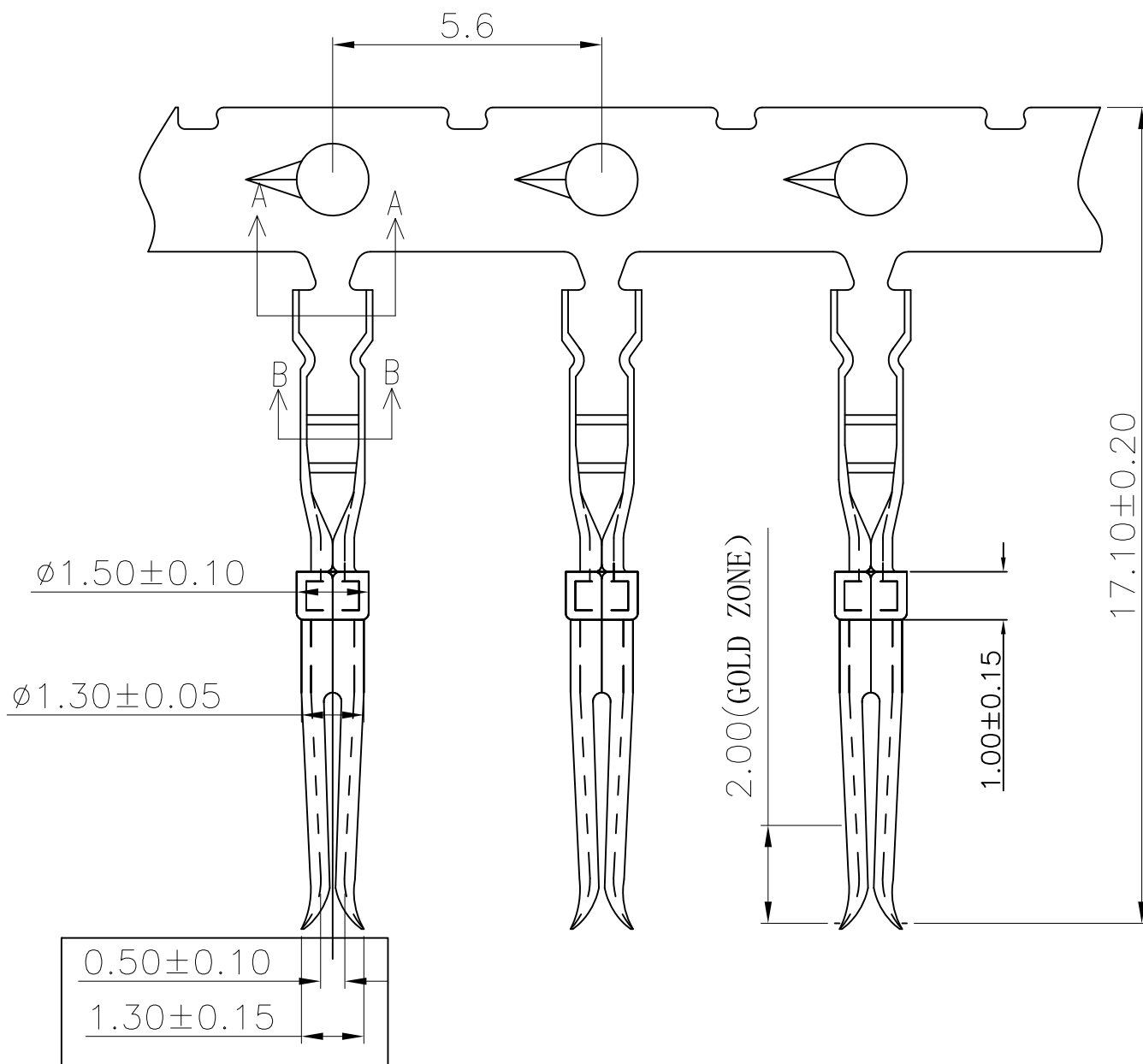


A-A
SCALE 2:1



B-B
SCALE 2:1

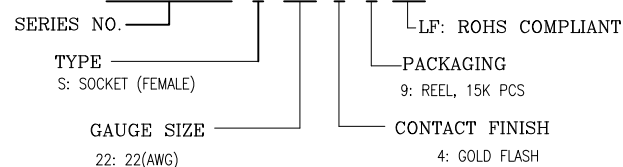


REMARK:

1. MATERIALS:

CONTACTS: COPPER ALLOY T=0.20mm, GOLD(G\F) TOP OVER CONTACT AREA, 50u" Min. NICKEL UNDER PLATE.

2. PART NUMBER DESCRIPTION: 10090933-S XX X X LF



SIZE	PART NO.	PACKAGING
22AWG	10090933-S2249LF	REEL, 15KPCS

mat'l. code				surface ISO 1302 ✓	tolerance ISO 406 / ISO 1101	projection 	product family D-SUB
ltr	ecn no	dr	date	tolerances unless otherwise specified		mm scale 1:1	title H/D D-SUB CRIMPING FEMALE CONTACT
A	T09-1157	J.H	2009-12-10	angles	.0±0.38		
B	T10-0164	J.H	2010-10-19	linear	.00±0.25		
C	ELX-I-31477	AR	2018-10-16	0°±2'	.000±0.10	Amphenol FCi	
				dr	JASON HSU	2009-12-10	dwg no
				engr	JASON HSU	2009-12-10	sheet 1 of 1
				chr	MITHUN PAUL	2018-10-16	size
				appd	BKP	2018-10-16	A4
				type			Product Customer Drawing
sheet index	revision sheet	c					
	1						