

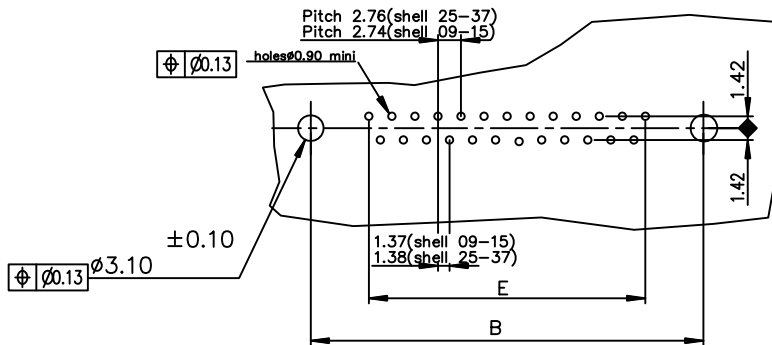
LEAD FREE PART NUMBER

SHELL	A±0.38	B±0.12	C±0.10	D±0.25	E±0.07	Flash Au Plating	0.76µ Au Plating
09	30.81	24.99	16.96	16.21	10.96	D09S33E4G*09LF	D09S33E6G*09LF
15	39.14	33.32	25.18	24.54	19.18	D15S33E4G*09LF	D15S33E6G*09LF
25	53.03	47.04	39.12	38.25	33.12	D25S33E4G*09LF	D25S33E6G*09LF

Part Number & Date Code Printing

L --> ØT=M3
X --> ØT=UNC 4-40

PC card drilling dimensions(after plating)
(thickness 1.60±0.20mm)



Technical characteristics:

Insulators: self-extinguishing thermoplastic, UL class 94V0, IR or reflow process compatible

Climatic characteristics:

Operating temperature range: -55°C +225°C

FOR ALL OTHER DETAILS REFER DWG.NO: C01-8646-0000

mat'l. code	-	surface	ISO 1302	tolerance	ISO 406	ISO 1101	projection	product family	D-SUB
ltr	ecn no	dr	date	tolerances unless otherwise specified			MM	title	DD RA SOCKET CONNECTOR
E	ELX-I-2146	AB	2015-07-22	angles	linear	.0±0.1	MM	HIGH TEMPERATURE INSULATOR	
				0'±2'		.00±0.1	scale 2:1		
				dr	JOHN SLEEBA	1996-06-21		dwg no	sheet 1 of 1
				engr	ALIAS BABU	2015-07-22			size
				chr	MITHUN PAUL	2015-07-22			A3
				appd	BIJU K PAUL	2015-07-22		type	Product Customer Drawing
sheet index	revision	E							
	sheet	1							