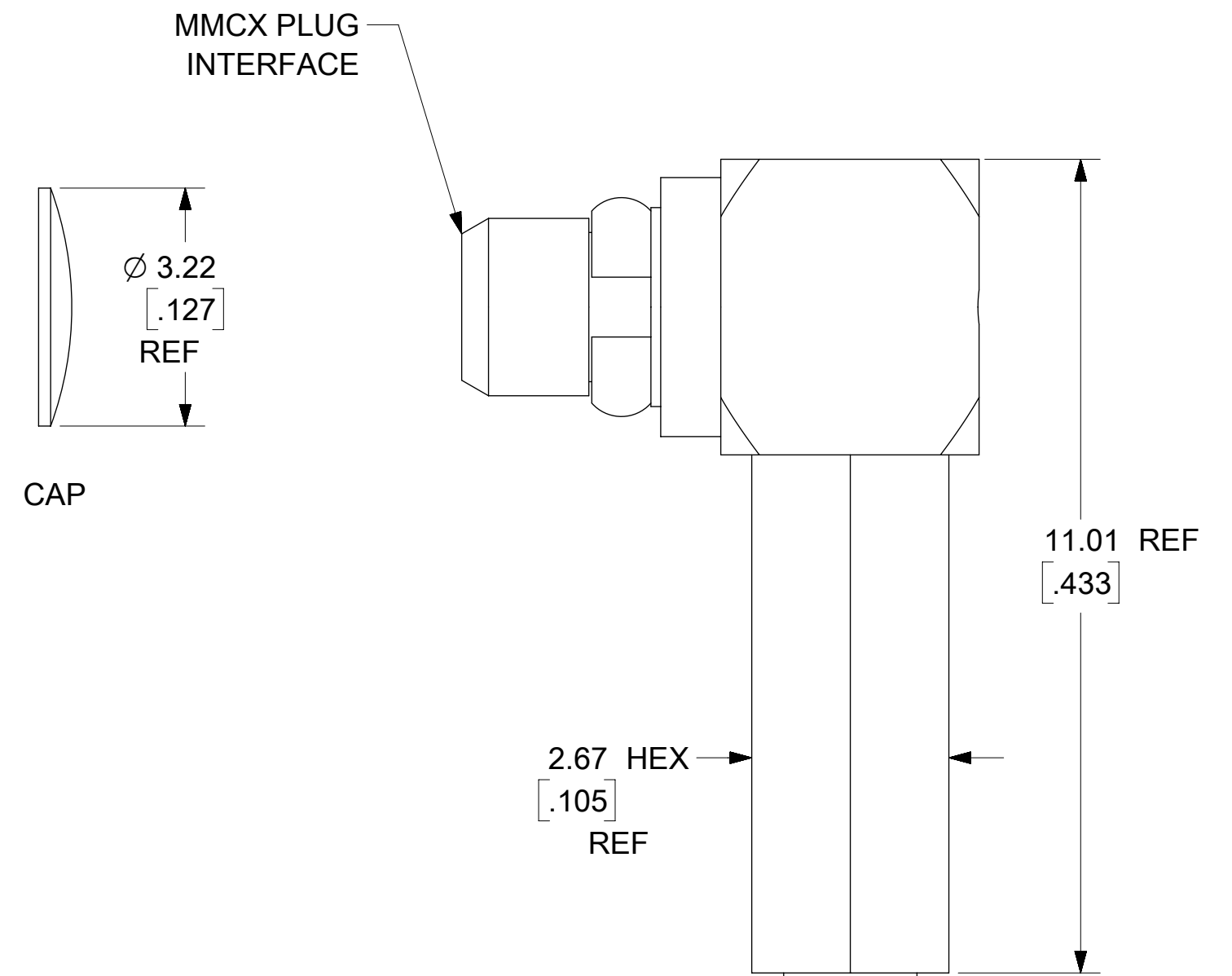
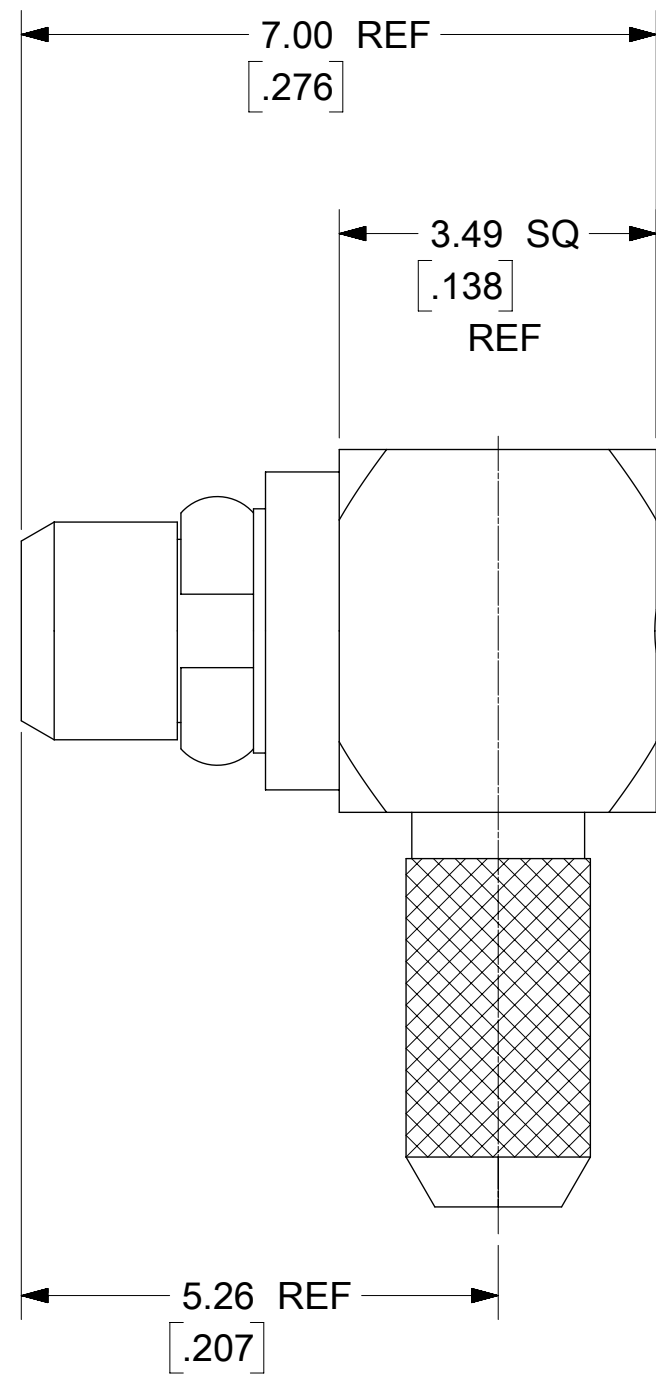
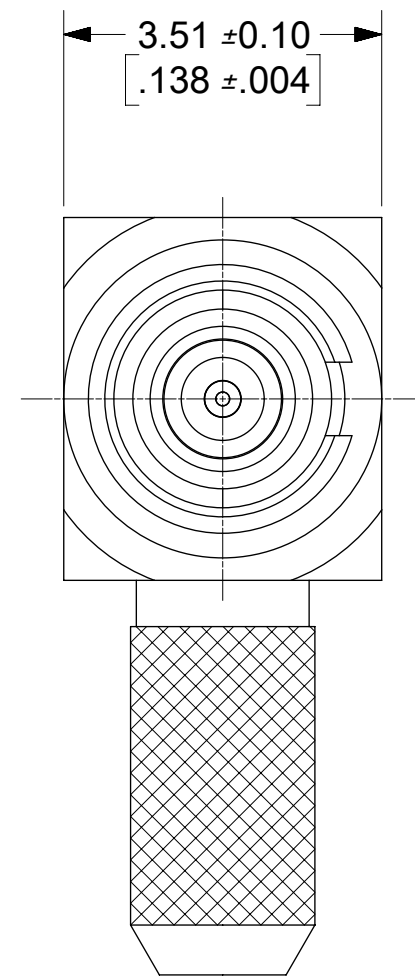
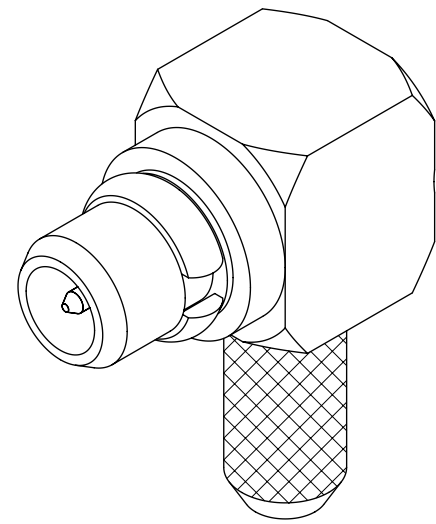


MATERIALS AND FINISHES:

BODY, CONTACT ,CAP, CRIMP TUBE: BRASS
FINISH: GOLD OVER NICKEL(SEE TABLE)

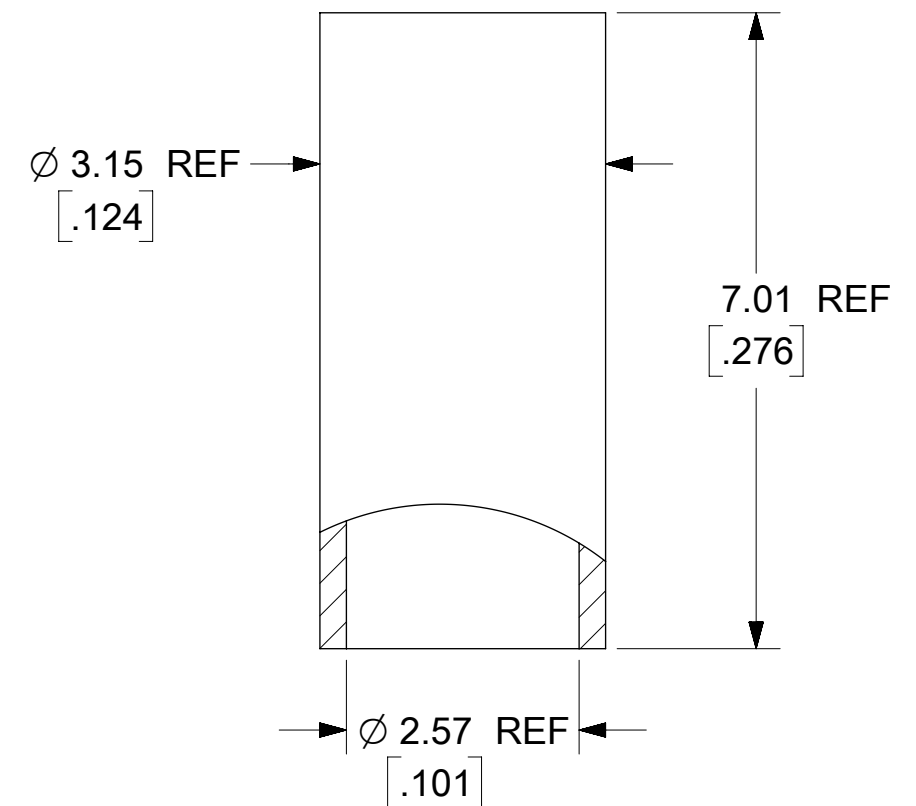
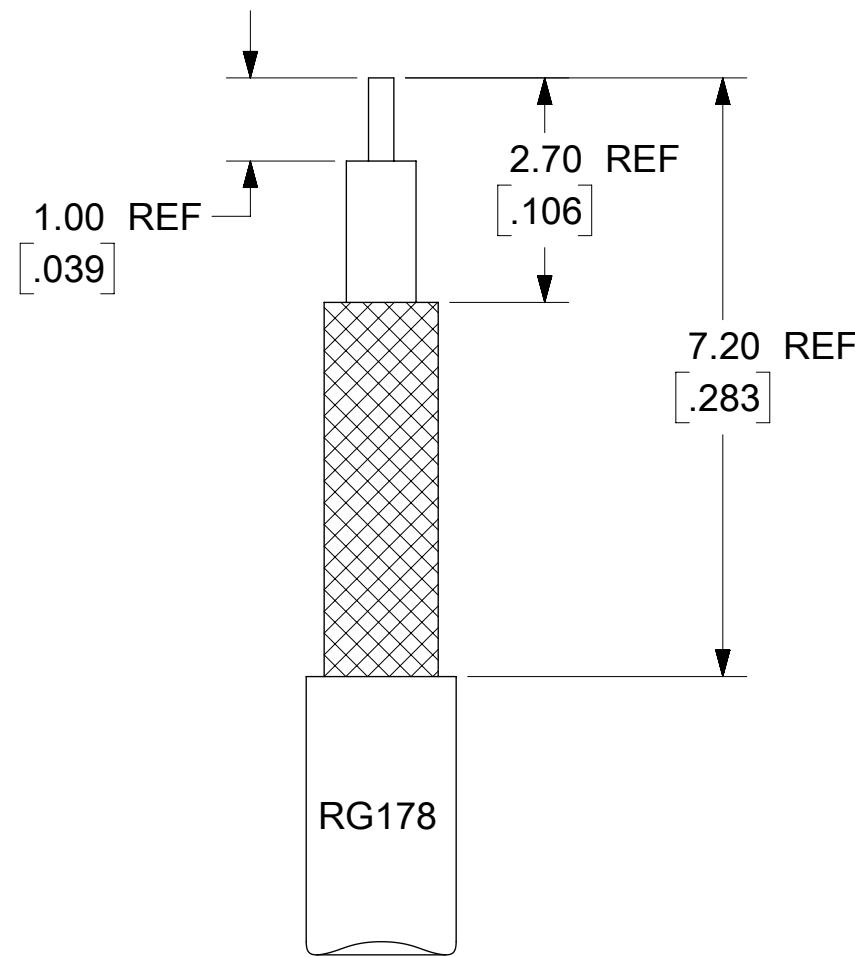
SNAP RING: BERYLLIUM COPPER
FINISH: GOLD OVER NICKEL(SEE TABLE)

INSULATORS: PTFE



NOTE :

- 1) 73415-0955 IS FOR ENHANCED PERFORMANCE.
- 2) RG178 CABLE OR EQUIVALENT CRIMPING FORCE 6.5kgf MIN.



PART NO.	DESCRIPTION	PACKAGING
73415-0955	COMMERCIAL	BULK
73415-0954	COMMERCIAL	BULK
73415-0953	COMMERCIAL	73415-0951 ONE PER BAG
73415-0952	NICKEL	BULK
73415-0951	COMMERCIAL	BULK
73415-0950	MILITARY	BULK

AS-89675-5070	CABLE ASSY INSTRUCTION
IEC-61169-52	INTERFACE
PS-89675-1920	ELECTRICAL/MECHANICAL
SPECIFICATION	DESCRIPTION

RECOMMENDED STRIP DIMENSIONS

PART NO.	BODY (µ-in MIN)	CONTACT (µ-in MIN)	SNAP RING (µ-in MIN)	CAP (µ-in MIN)	CRIMP TUBE (µ-in MIN)
73415-0955	1 OVER 50	5 OVER 50	1 OVER 50	1 OVER 50	1 OVER 50
73415-0954	1 OVER 50	5 OVER 50	1 OVER 50	1 OVER 50	1 OVER 50
73415-0952	0 OVER 100	30 OVER 50	0 OVER 100	0 OVER 100	10 OVER 100
73415-0951	1 OVER 50	30 OVER 50	1 OVER 50	1 OVER 50	1 OVER 50
73415-0950	30 OVER 100	50 OVER 100	30 OVER 100	50 OVER 100	30 OVER NA

RELEASE STATUS P1 RELEASE DATE 13.09.2017 12:16:15

PLATING (GOLD OVER NICKEL)

THIS DRAWING CONTAINS INFORMATION THAT IS PROPRIETARY TO MOLEX ELECTRONIC TECHNOLOGIES, LLC AND SHOULD NOT BE USED WITHOUT WRITTEN PERMISSION

SEE ECM EC NO: 120304 DRWN: BBHARADWAJD CHKD: BBHARADWAJD REV: APPR: AROBERTSON	2017/07/14	2017/09/13	2017/09/13	GENERAL TOLERANCES (UNLESS SPECIFIED)	DIMENSION UNITS	SCALE		
				MM INCH	mm			
	4 PLACES	±	±		DRWN BY	DATE		MMCX PLUG, 50 OHMS R/A, FOR RG178 CABLE, MMCX-P/RG178, EWR-11074
	3 PLACES	±	± 0.01		YCHENG	2016/09/13		
2 PLACES	± 0.25	±		CHK'D BY	DATE	PRODUCT CUSTOMER DRAWING		
1 PLACES	±	±		BBHARADWAJD	2017/09/13			
0 PLACES	±	±		APPR BY	DATE	SERIES MATERIAL NUMBER CUSTOMER 73415 SEE TABLE		
				YCHENG	2016/09/19			
				ANGULAR TOL = 2.0	DRAWING SIZE	THIRD ANGLE PROJECTION	DOCUMENT NUMBER	
				DRAFT WHERE APPLICABLE MUST REMAIN WITHIN DIMENSIONS	C		SD-73415-095	
							DOC TYPE	
							PSD	
							DOC PART	
							001	
							SHEET NUMBER	
							1 OF 1	