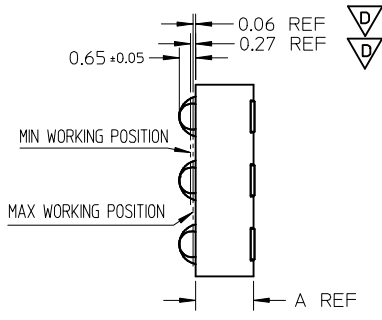
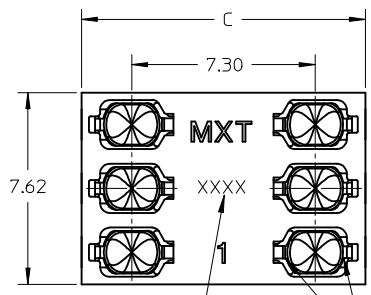
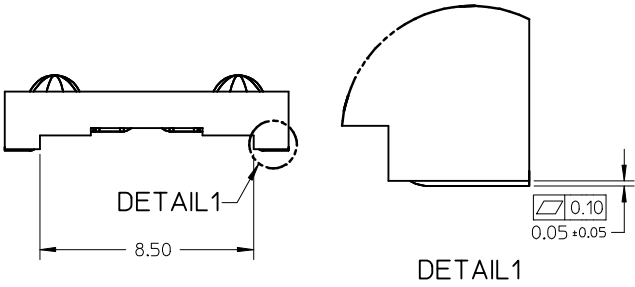
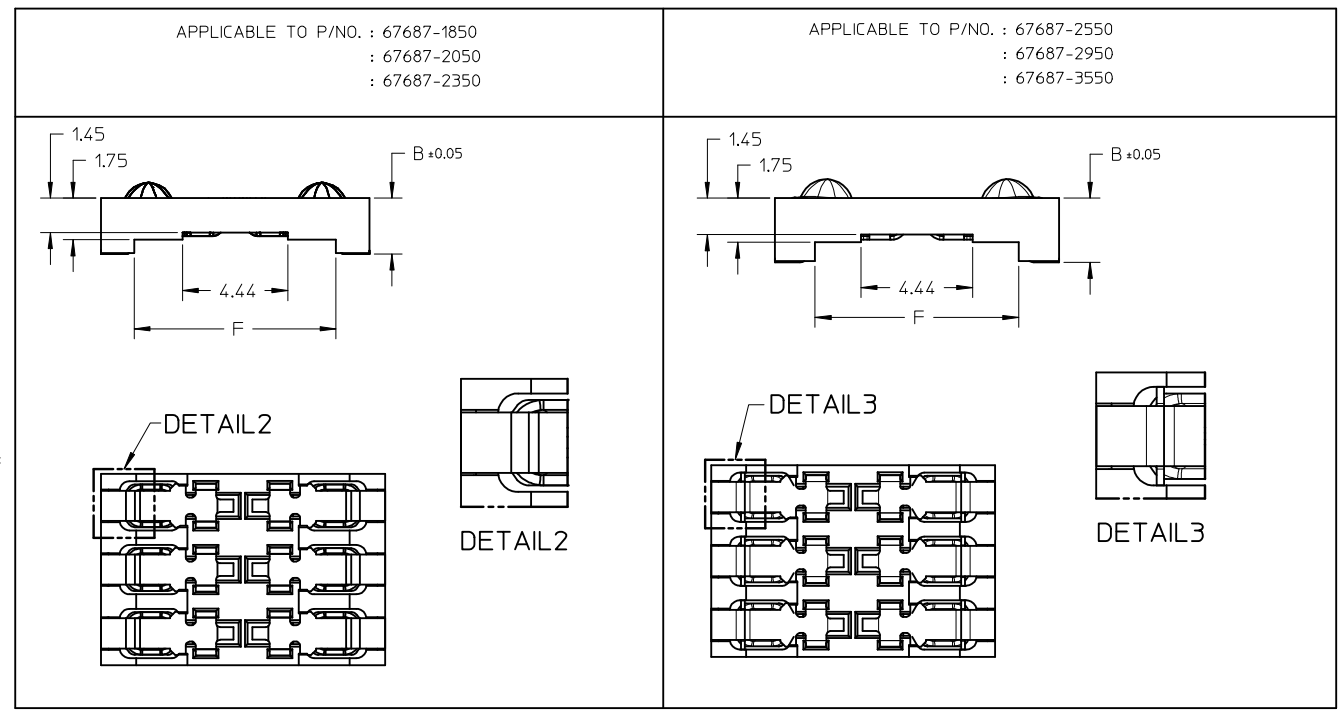


	DIMENSION F	DIMENSION E	DIMENSION D	DIMENSION C	DIMENSION A	PART NUMBER
8.50	9.95	1.00	11.30	1.80	67687-1850	
	10.05	1.20	11.70	2.00	67687-2050	
	9.95	1.00	11.30	2.30	67687-2350	
8.10	9.95	1.00	11.30	2.45	67687-2550	
	9.95	1.00	11.30	2.90	67687-2950	
	9.95	1.00	11.30	3.50	67687-3550	

*.DIMB=DIMA+0.05

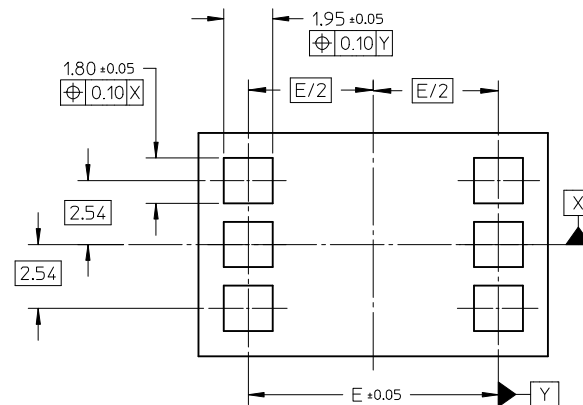
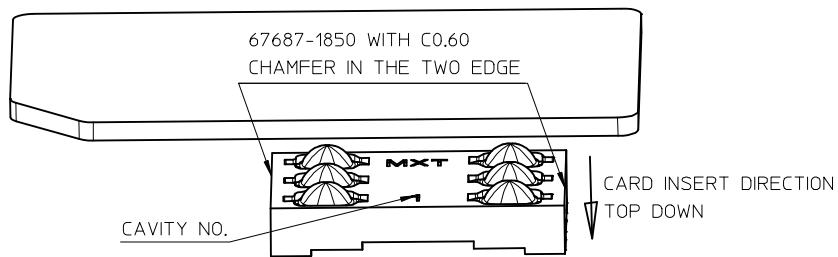


DATE CODE (INK JET)
 X X X X _DAY COUNTED FROM FIRST
 | | | | _DAY OF THE YEAR
 L - - - - -YEAR
 EX. 2002/01/15-->2015
 2002/02/10-->2041
 2003/03/10-->3069



NOTES:
 1.MATERIAL:
 HOUSING: HIGH TEMPERATURE PLASTIC,
 TERMINAL:COPPER ALLOY
 2.PLATING:
 CONTACT AREA PLATING:
 30u* MIN GOLD OVER 50u*MIN NICKEL PLATING
 SOLDERING AREA PLATING:
 100u* MIN PURE TIN OVER 50u*MIN NICKEL PLATING
 VISIBLE AREA PLATING:
 GOLD FLASH OVER 50u* MIN NICKEL PLATING
 3.PACKAGING:TAPE REEL
 4.PRODUCT SPECIFICATION:PS-67687-001
 5.COMPLIANT TO RoHS DIRECTIVE 2002/95/EC AND
 ELV DIRECTIVE 2000/53/EC.

ADD VIEW EC NO: S2013-0219 DRWN:JTAN02 CHKD:FC500 APPR:KHLIM 2012/11/05 2012/11/07 2012/11/16	QUALITY SYMBOLS $F_A=0$ $F_E=0$ $F_F=0$	GENERAL TOLERANCES (UNLESS SPECIFIED)		DIMENSION STYLE MM ONLY		SCALE NTS	DESIGN UNITS METRIC	THIRD ANGLE PROJECTION	
			mm	INCH	DRAWN BY SSUN	DATE 2004/11/04	TITLE 6 CKTS SIM CARD CONNECTOR SD DRAWING		
		4 PLACES	± ---	± ---	CHECKED BY RZHAO	DATE 2004/11/04			
		3 PLACES	± ---	± ---	APPROVED BY SAMHUANG	DATE 2004/11/04			
2 PLACES	± 0.05	± ---	MATERIAL NO.		DOCUMENT NO.	SHEET NO.			
1 PLACE	± 0.10	± ---	ANGULAR ± 2 °		SEE TABLE	SD-67687-511			
0 PLACE	±	±	DRAFT WHERE APPLICABLE MUST REMAIN WITHIN DIMENSIONS		SIZE A3	THIS DRAWING CONTAINS INFORMATION THAT IS PROPRIETARY TO MOLEX INCORPORATED AND SHOULD NOT BE USED WITHOUT WRITTEN PERMISSION			



RECOMMENDED PCB LAYOUT

ADD VIEW EC NO: S2013-0219 DRWN: JTAN02 CHKD: FCS00 APPR: KHLIM	2012/11/05 2012/11/07 2012/11/16	DESCRIPTION REV	QUALITY SYMBOLS	GENERAL TOLERANCES (UNLESS SPECIFIED)		DIMENSION STYLE MM ONLY		SCALE NTS	DESIGN UNITS METRIC	THIRD ANGLE PROJECTION
			$F_A=0$ $F_C=0$ $F_D=0$	mm INCH	DRAWN BY SSUN	DATE 2004/11/04	TITLE			
			4 PLACES ± --- ± --- 3 PLACES ± --- ± --- 2 PLACES ± 0.05 ± --- 1 PLACE ± 0.10 ± --- 0 PLACE ± ±	ANGULAR ± 2 ° DRAFT WHERE APPLICABLE MUST REMAIN WITHIN DIMENSIONS	CHECKED BY RZHAO	DATE 2004/11/04	6 CKTS SIM CARD CONNECTOR SD DRAWING			
					APPROVED BY SAMHUANG	DATE 2004/11/04	molex DOCUMENT NO. SD-67687-511			
				MATERIAL NO.	SEE TABLE	SHEET NO. 2 OF 2	THIS DRAWING CONTAINS INFORMATION THAT IS PROPRIETARY TO MOLEX INCORPORATED AND SHOULD NOT BE USED WITHOUT WRITTEN PERMISSION			