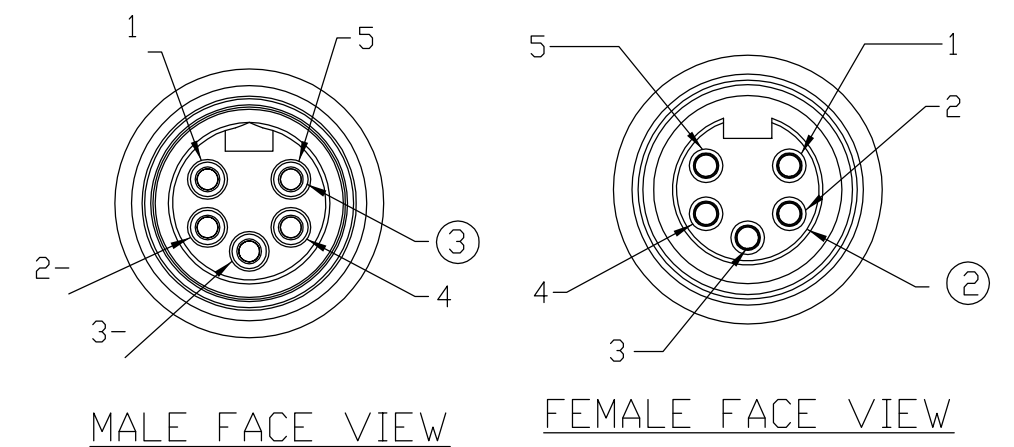
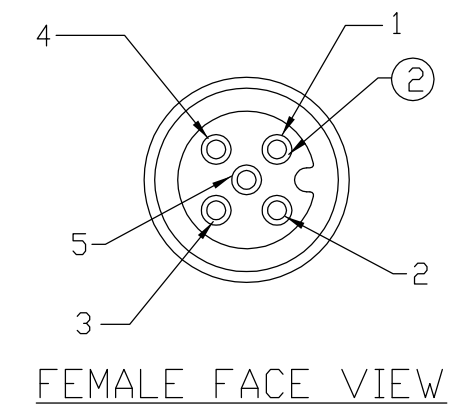
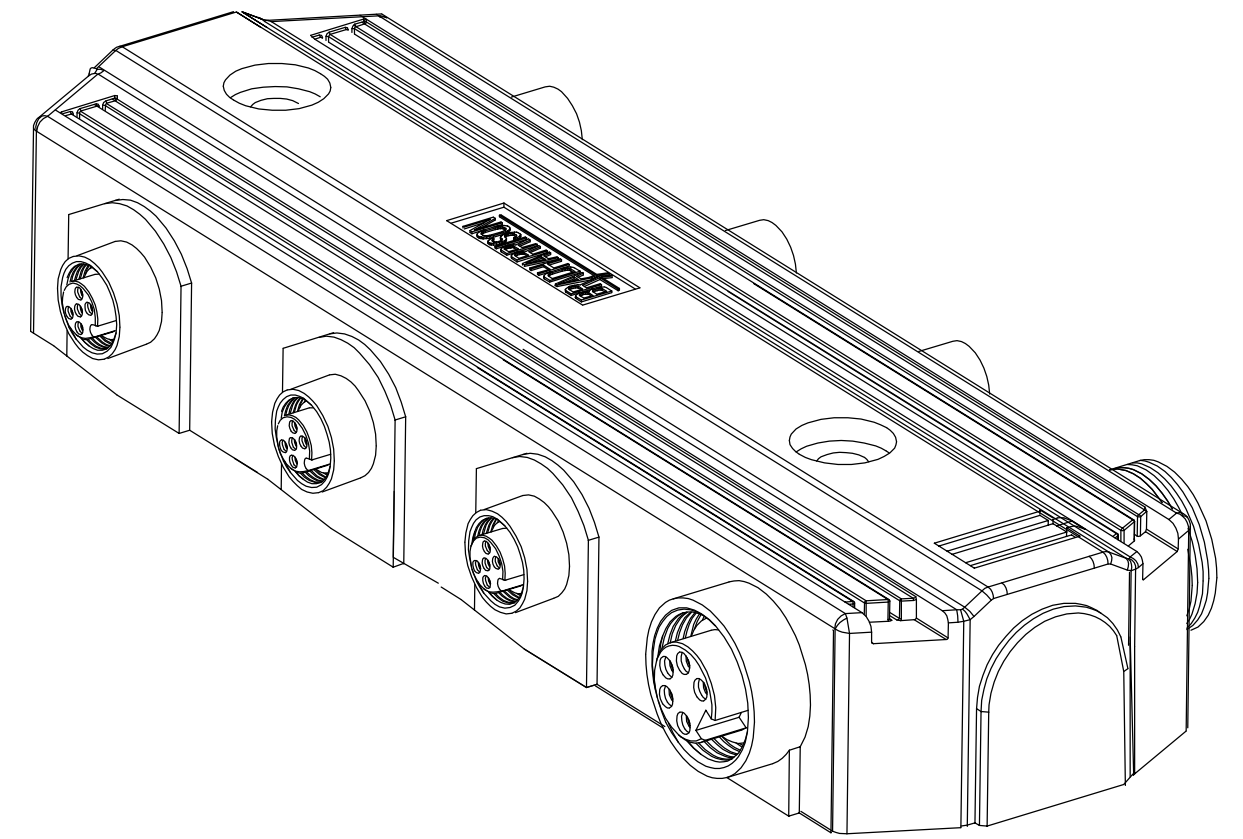
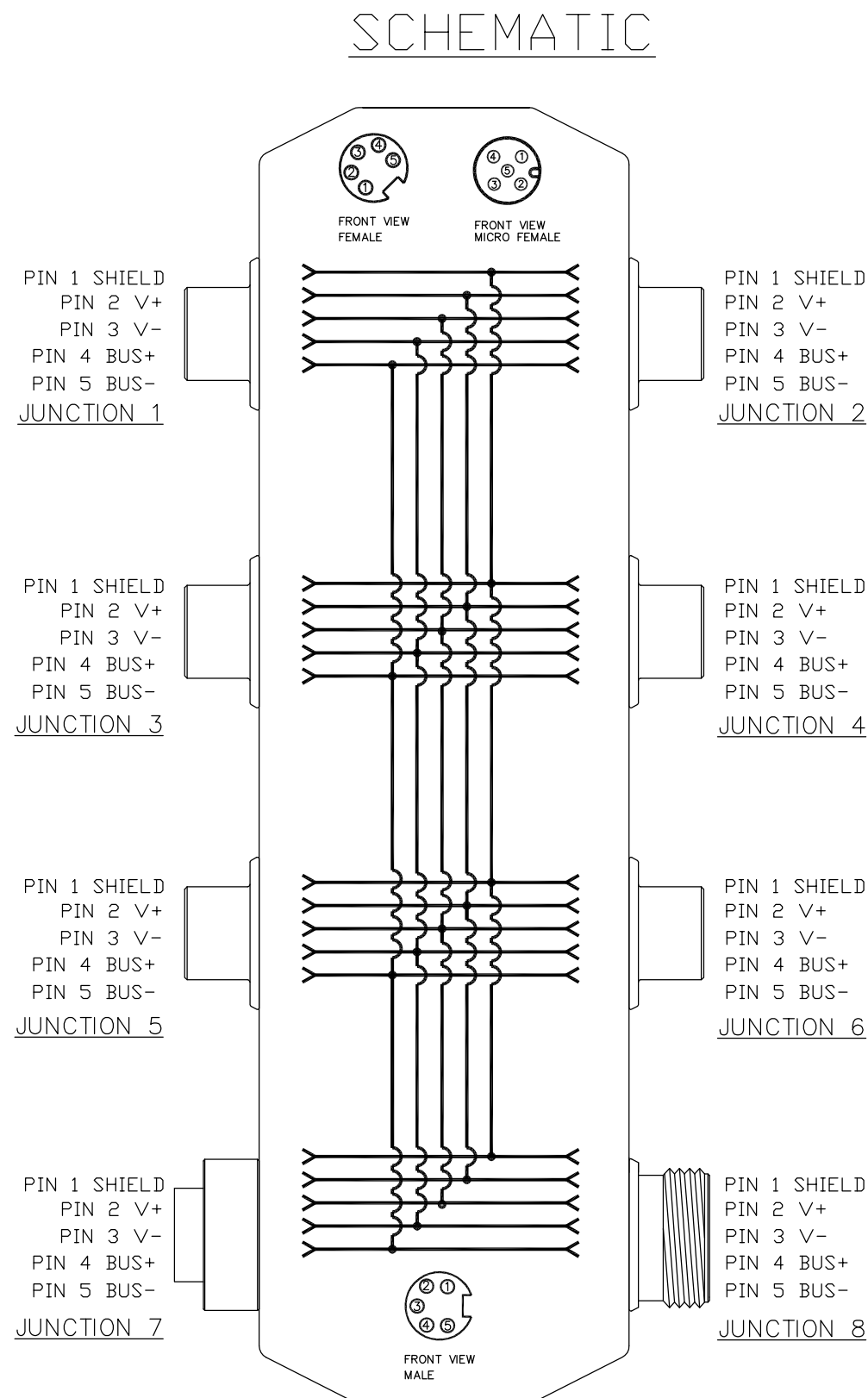
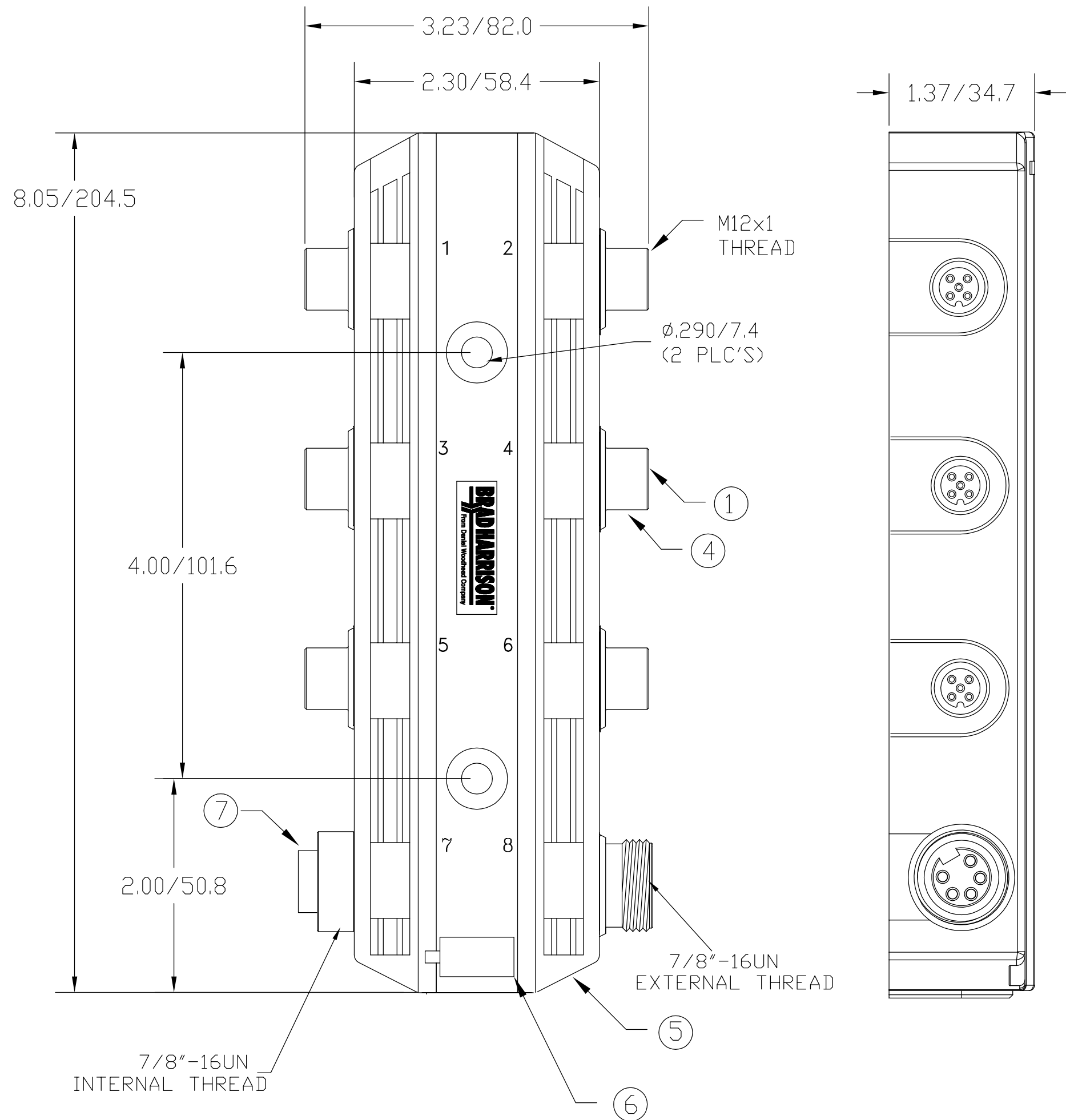


MATERIAL NUMBER	OLD PART NUMBER
130036-0015	DND6100



VOLTAGE RATING	120 VAC/VDC
AMPERAGE RATING	7 AMPS
PROTECTION	IP67
OPERATING TEMPERATURE	0°C TO 60°C

ITEM	COMPONENT	MATERIAL	FINISH
1	INSERT	NYLON	BLACK
2	CONTACT SOCKET	COPPER ALLOY	GOLD OVER NICKEL
3	CONTACT PIN	COPPER ALLOY	GOLD OVER NICKEL
4	RECEPTACLE SHELL	ZINC DIE CAST	BLACK E-COATED
5	HOUSING	PBT	BLACK
6	LABEL	ABS	WHITE
7	INSERT	PVC	GRAY
	POTTING MATERIAL	EPOXY	BLACK

RELEASED SALES DRAWING
 EC NO: WNA2010-0020
 DRWN: BWOODMAN 7/9/09
 CH'KD: JM
 APPR: JFMURPHY 2009/07/20
 A REV

QUALITY SYMBOL
 ▽=0
 ▽C=0

GENERAL TOLERANCES (UNLESS SPECIFIED)

	mm	INCH
4 PLACES	±----	±----
3 PLACES	±----	±----
2 PLACES	±----	±.01
1 PLACE	±0.3	±----

ANGULAR ±----°
 DRAFT WHERE APPLICABLE MUST REMAIN WITHIN DIMENSIONS

DIMENSION STYLE IN/MM
 DRAWN BY DATE
 BW 2009/07/08
 CHECKED BY DATE
 TW 2009/07/08
 APPROVED BY DATE

MATERIAL NO. SEE CHART
 SIZE C

SCALE ---
 DESIGN UNITS ---
 THIRD ANGLE PROJECTION

TITLE
MICRO 6 PORT PASS-THRU DEVICENET MPIS

MOLEX INCORPORATED
 DOCUMENT NO. SD-130036-010
 SHEET NO. 1 OF 1

THIS DRAWING CONTAINS INFORMATION THAT IS PROPRIETARY TO MOLEX INCORPORATED AND SHOULD NOT BE USED WITHOUT WRITTEN PERMISSION