

1 2 3 4 5 6 7

A

A

B

B

C

C

D

D


E

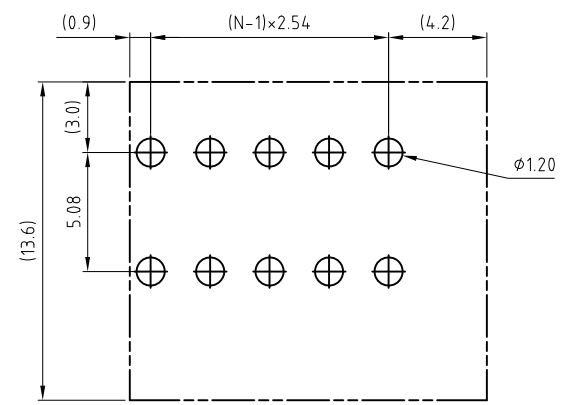
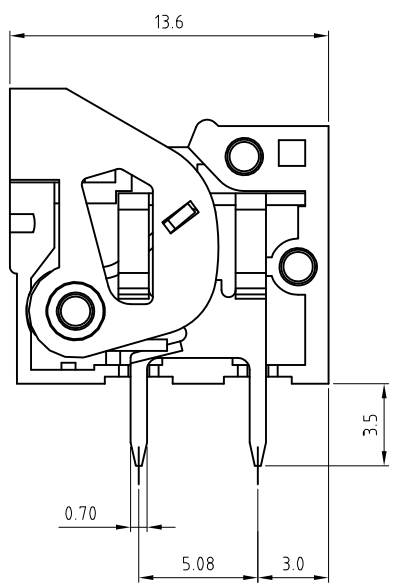
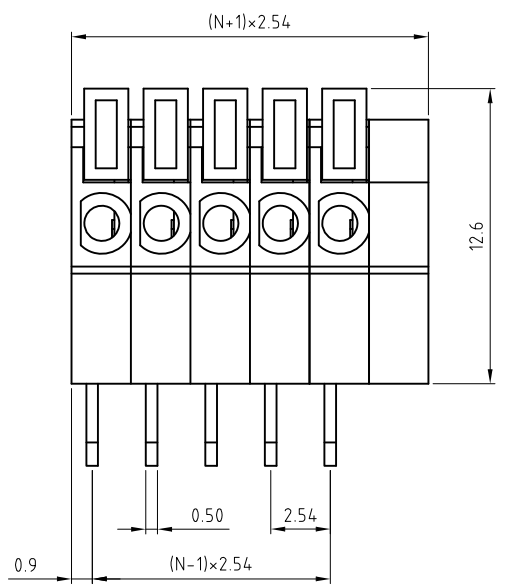
E

F

F

Material
 ● Terminal body (Contact pin): Brass
 ● Wire guard: Stainless steel
 ● Surface of solder tail: Tin plated
 ● Insulator (housing): Thermoplastic (UL94V-0) Green(RAL6018/T)②


Electrical cULus②
 ● Voltage rating: 150VAC
 ● Current rating: 2A
 ● Wire range:
 ● Solid wire(AWG): 20-26
 ● Stranded wire(AWG): 20-26
 ● Pull force:
 ● Screw:
 ● Wire strip length: 9-10mm
 ● Withstanding Voltage: 1.3KV
 ② ● Operating temperature: -40°C to +115°C
 ● Soldering temperature: 250°C±10°C/5 Sec
 ② ● Safety Approval: 



P.C.B. LAYOUT

N=Number of contacts

RoHS compliant
Unit: mm

| | | | | | | | | | |
|-----------|-------|-----|--------------|------------|------|---|------------|-------------|-----------------|
| Scale | Free | | | | | | Date | Name | Customer-No. |
| TOLERANCE | | | | | | Drawn | 10.12.2009 | Dean | |
| X. | ±0.50 | | | | | Approved | 08.05.2014 | Amy | ASSMANN WSW-No. |
| X.X | ±0.30 | | | | | | | | A-TB254-HAxxH |
| X.XX | ±0.10 | | | | | | | | Drawing-No. |
| DIM | TOL | ② | Update | 08.05.2014 | Amy |  | | ASS 3815 CO | rev02 |
| X.° | ±1° | ① | Drawn | 10.12.2009 | Dean | | | Replace | Sheet |
| Angle | TOL | Id. | Modification | Date | Name | | | | |

G

G

H

H

1 2 3 4 5 6 7