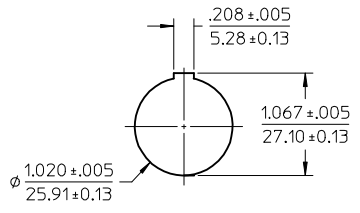
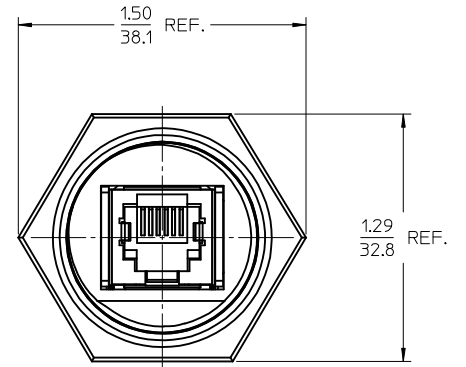
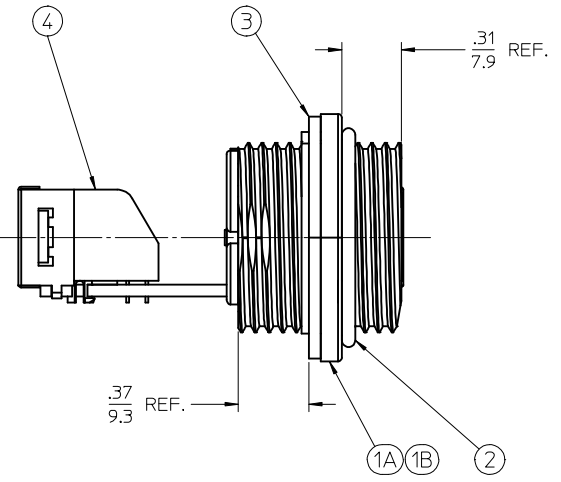
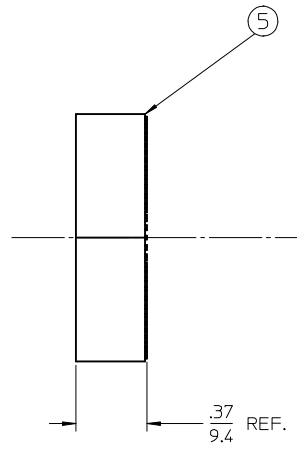
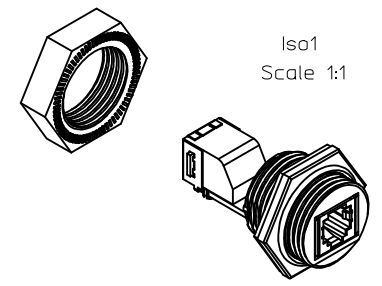
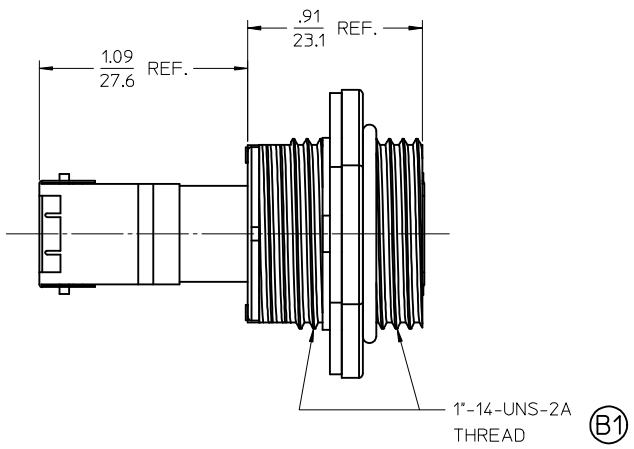


13	12	11	10
MATERIAL NO.	ENGINEERING NO.	STD MATERIAL	UV MATERIAL
1300550014	ENSP6F5	1A	
1300550015	ENSP6F5-V		1B



PANEL CUT OUT
 PANEL THK: .125 MAX. W/GASKET
 .187 MAX. W/OUT GASKET
 .062 MIN.



- NOTES:
 1. MATERIAL: SEE TABLE
 2. FINISHES: SEE TABLE
 3. ELECTRICAL SPEC: VOLTAGE 125 VDC, CURRENT: 15 AMPS
 4. OPERATING TEMP: -20 TO 80°C (-4 TO 176°F)
 5. ENVIRONMENTAL: IP67

5	PANEL NUT	ABS	BLACK
4	RJ-11/PCB SUB ASSEMBLY		
3	BULKHEAD GASKET	NITRILE	BLACK
2	O-RING	VITON	BROWN
1B	RECEPTACLE HOUSING (UV)	ASA	BLACK
1A	RECEPTACLE HOUSING	ABS	BLACK
ITEM	DESCRIPTION	MATERIAL	FINISH

CORRECT THREAD DIM	EC NO: IPG2017-0838	2017/03/03
	DRW:WZLEJNSKI	2017/03/06
	CHK:KORSTONE	2017/03/13
	APPR:WOODMAN	2017/03/13
REV	DESCRIPTION	
B1		

QUALITY SYMBOLS	GENERAL TOLERANCES (UNLESS SPECIFIED)
▽=0	mm INCH
▽=0	4 PLACES ± --- ± ---
	3 PLACES ± --- ± ---
	2 PLACES ± --- ± ---
	1 PLACE ± --- ± ---
	ANGULAR ± ---°
	DRAFT WHERE APPLICABLE MUST REMAIN WITHIN DIMENSIONS

DIMENSION STYLE	SCALE	DESIGN UNITS	THIRD ANGLE PROJECTION
IN/MM	2:1	INCH	
DRAWN BY	DATE	TITLE	
RSTONE	2010/06/24	INDUSTRIAL ETHERNET RJ-11 BULKHEAD FEED THRU	
CHECKED BY	DATE	APPROVED BY	
B. WOODMAN	2010/06/25	DTITUS	
APPROVED BY	DATE	MATERIAL NO.	
	2010/06/28	SEE CHART	
		DOCUMENT NO.	SHEET NO.
		SD-130055-001	1 OF 1

MATERIAL NO.		DOCUMENT NO.	SHEET NO.
SEE CHART		SD-130055-001	1 OF 1
THIS DRAWING CONTAINS INFORMATION THAT IS PROPRIETARY TO MOLEX INCORPORATED AND SHOULD NOT BE USED WITHOUT WRITTEN PERMISSION			