



Actual size (13 mm x 18 mm)

## TiWi5™

802.11 a/b/g/n, Bluetooth®, Bluetooth® Smart, & ANT+ Ready Module

### PRODUCT DESCRIPTION

The TiWi5™ is a high-performance combo module providing Wi-Fi capabilities in both the 2.4 GHz and 5.8 GHz bands. This dual-band Wi-Fi® / Bluetooth® module supports single stream WLAN data rates to 65 Mbps and Bluetooth 2.1+EDR and Bluetooth 4.0 (BLE) in a cost effective, pre-certified footprint. Designed to realize the necessary PHY/MAC layers to support WLAN applications in conjunction with a host processor over a SDIO interface.

### FEATURES AND BENEFITS

- Dual-band 2.4 GHz and 5.8 GHz operation
- Bluetooth® Smart-Ready (Bluetooth 2.1+EDR, Bluetooth Low Energy 4.0) and ANT+ capable
- Small footprint: 13 mm x 18 mm x 1.9 mm
- Industrial operating temperature: -40° to +85°C
- FCC (USA), IC (Canada) and ETSI (Europe) Module Certification
- On-module TCXO, band-pass filter, and power regulation
- Open source Linux drivers available for Wi-Fi

### Practical Applications:

Hospitals and 'high traffic' environments. Medical, Security, HVAC Control, Telematics, and Gateway Design.

## TIWI5 MODULE PERFORMANCE

SPECIFICATION	VALUE
Footprint	13 mm x 18 mm x 1.9 mm
Operating Temp	-40 to +85° C
Operating Voltage	3.0 V to 4.8 V
WLAN Transmit Power	+18.3 dBm, 11 Mbps, CCK (b) +14.4 dBm, 54 Mbps, OFDM (g) +12.5 dBm, 65 Mbps, OFDM (n)
WLAN Sensitivity	-88 dBm, 8% PER, 11 Mbps -74 dBm, 10% PER, 54 Mbps -72 dBm, 10% PER, 65 Mbps

For full specifications on TiWi5, please refer to datasheet.

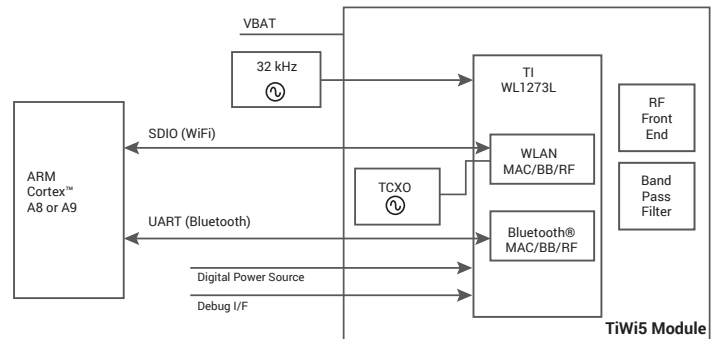
TECHNICAL DETAILS
802.11 a/b/g/n compliant
Bluetooth 2.1+EDR, Power Class 1.5 Compliant
Full support for BLE 4.0 and ANT+

KEY FEATURES
Linux drivers available and supported
Terminal for PCB/Chip antenna feeds
Industrial-rated operating temperature

## ORDER INFORMATION

PART NUMBER	DESCRIPTION
450-0053	TiWi5 Module
450-0085	COM6L-T5 TiWi5 Adapter Card with U.FL
450-0109	COM6L to BeagleBoard Adapter

These LSR products are all REACH and EU ROHS compliant.



LSR is the leader in Wireless Product Development, offering true end-to-end solutions through its array of services and technical expertise.



### Design Services

LSR delivers complete system solutions from concept to manufacturing. We are your wireless M2M solutions partner, providing complete turnkey services and solutions.

- RF Design/Engineering
- Software/Firmware Design
- Antenna Design
- Industrial Design
- Mechanical Engineering



### EMC Testing & Certification

At LSR, we understand it is critical for your company to have a compliant product supported by the appropriate documentation, ready for deployment into the market. LSR provides the experience and knowledge to provide quality test services that meet your timeline and budget.

- On-Site FCC / IC /CE EMC Certification
- Wireless & Antenna Testing
- EMC Testing
- International Testing Services



### Wireless Products

LSR offers the fastest, lowest cost way to add wireless capabilities to your product concept. LSR's fully-certified modules and antennas accelerate your time-to-market and support the full breadth of communication technologies, including:

- Wi-Fi®
- Bluetooth®
- Bluetooth® Smart
- ZigBee®
- 802.15.4 & proprietary protocols