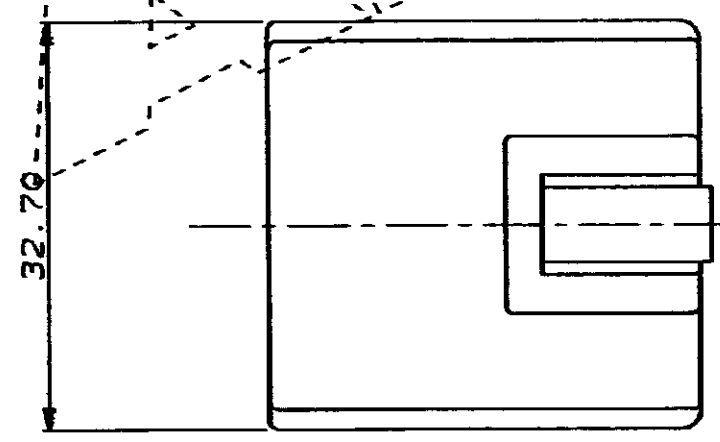
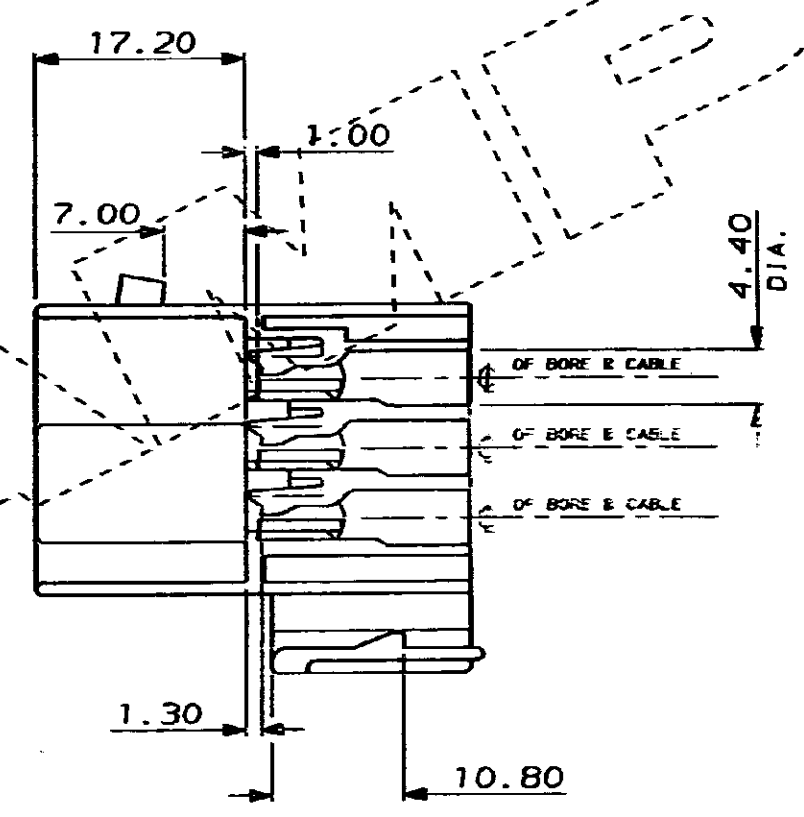
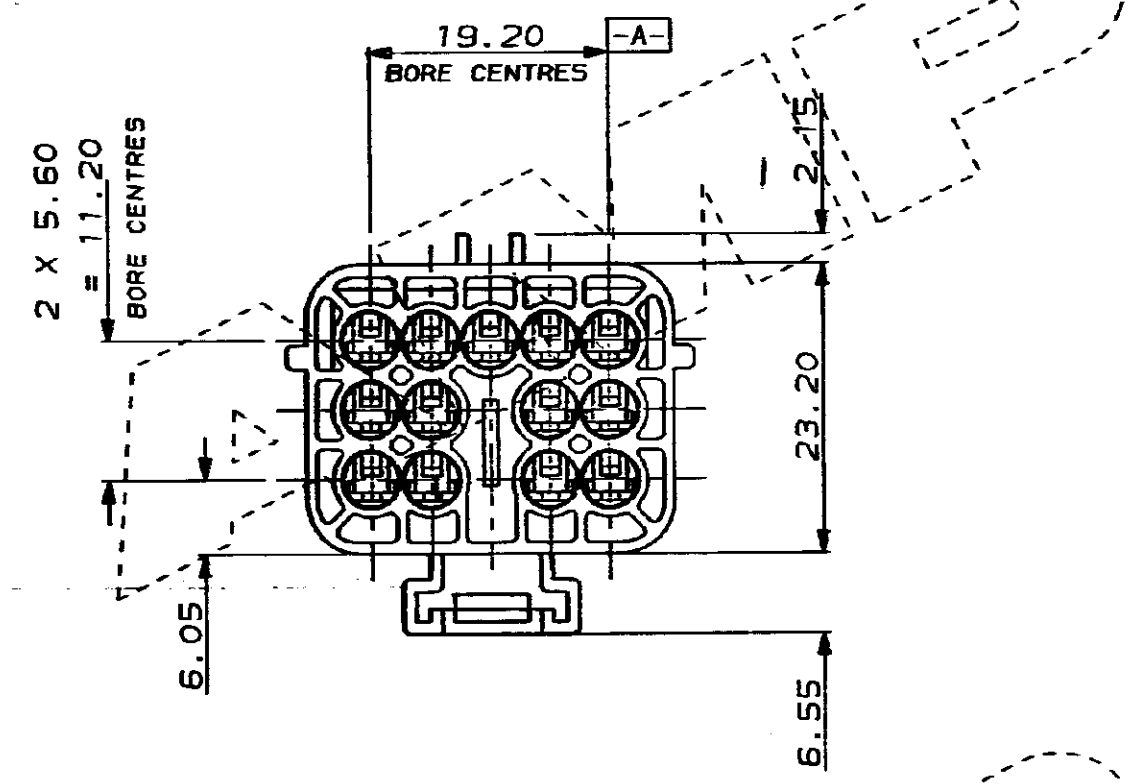
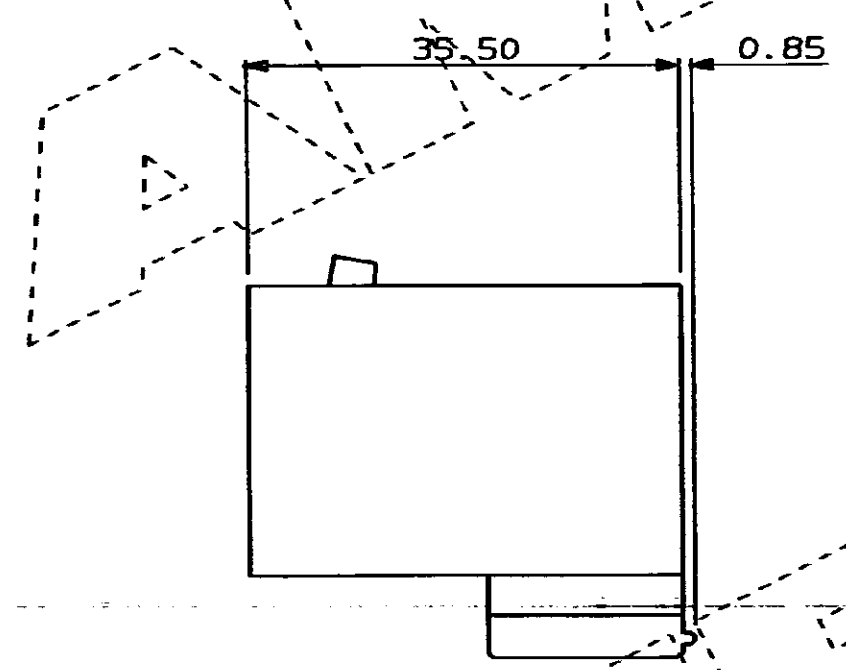
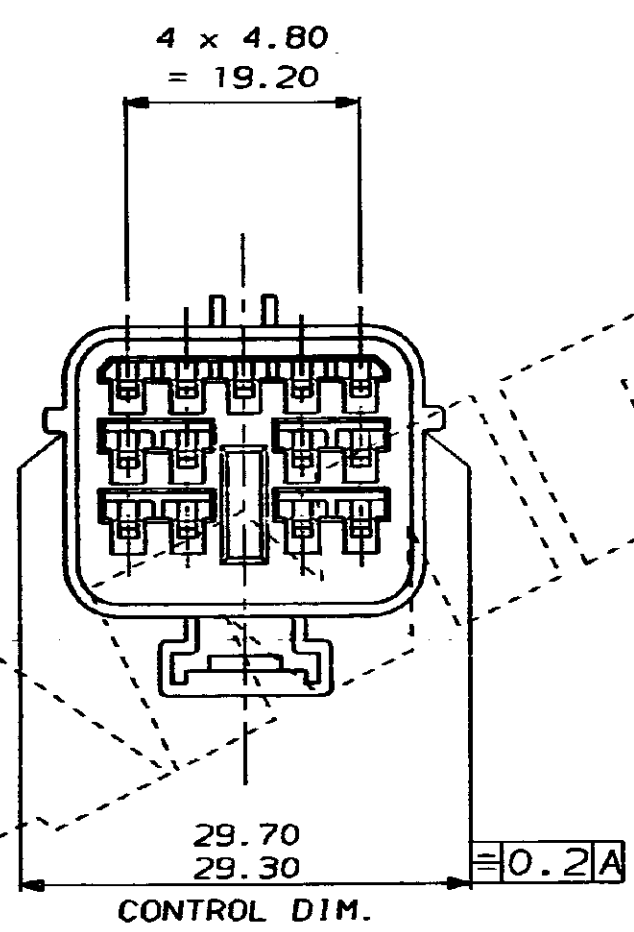
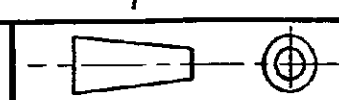


C.A.D. FILE CODE
S. C344260.E

DO NOT SCALE

DIMENSIONS IN MM.



BLUE	NYLON 6.6	344260-3
WHITE	NYLON 6.6	344260-2
BLACK	NYLON 6.6	344260-1
FINISH	MATERIAL	PART NUMBER
CUSTOMER DWG FOR REFERENCE ONLY		RELEASED FOR PUBLICATION 3/11/87
TOLERANCES UNLESS OTHERWISE STATED		DR. I. J. 27 OCT 1987
DEC ± 0.5		CH. R.J.S. APP. B.J.
ANGLES ± 1°		AMP TERMINAL HOUSE STANMORE HIDD.
NAME 13 WAY TAB HOUSING ECONOSEAL 3 LOW CURRENT		
SCALE 2/1	LOC E	SIZE A2
DWG. No. C344260	REV E	SHEET 1/1
REV CHANGE DETAILS	ECN	DATE