

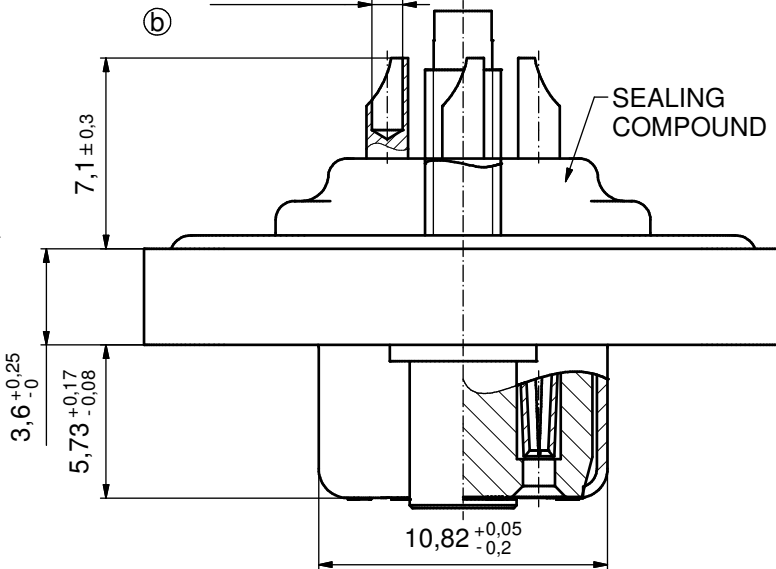
ⓑ

NOTES:

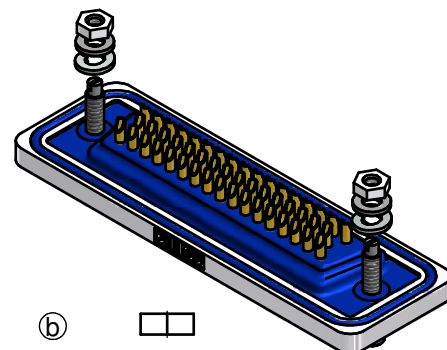
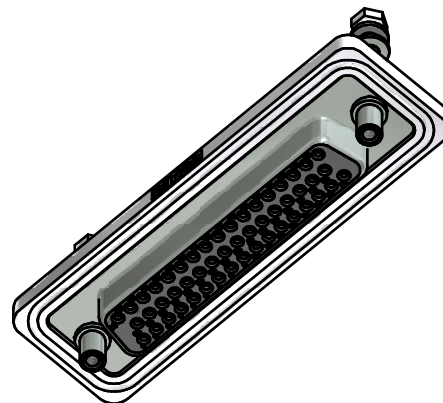
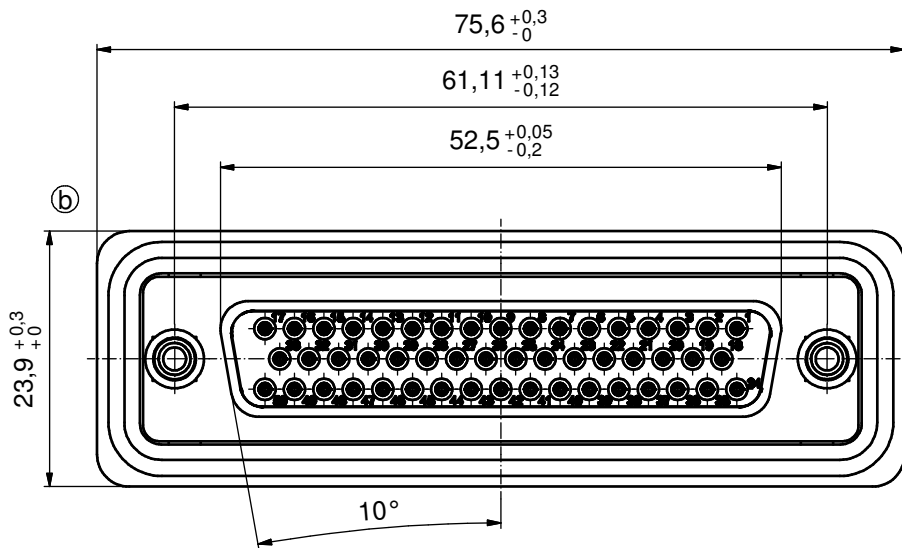
1. RECOMMENDED SOLDER INSTRUCTION SEE SHEET 2
2. METALSHELLS: COPPER ALLOY; min. 315µm TIN over 40-80µm NICKEL
3. INSULATORS: PBT GF UL 94 V-0; BLACK
4. SIGNAL CONTACTS: COPPER ALLOY; PLATING (SEE PART NO.):
  - PLEASE ADD C for 30µm HARD GOLD over min. 50µm NICKEL
  - PLEASE ADD B for 20µm HARD GOLD over min. 50µm NICKEL
  - PLEASE ADD A for GOLD FLASH over NICKEL (PREFERRED TYPE)
 SOLDER CUP ACCEPTS CABLE AWG 20
5. THREADED LOCKS: COPPER ALLOY; min. 200µm TIN over 80µm NICKEL
6. COLLARS: COPPER ALLOY, min. 200µm TIN over 80µm NICKEL
7. STUD BOLTS / 4-40 UNC: STEEL; TIN PLATED
8. FRAME: ZINC DIE CAST; NICKEL PLATED
9. O-RING: SILICON; BLUE
10. SEALING COMPOUND: PUR; BLUE
11. RECOMMENDED PANEL CUT-OUT ON SHEET 2
12. RECOMMENDED TORQUE FOR STUD BOLT  
35Ncm (3,1 in.LB) / max. 40Ncm (3,5 in.LB)
13. CONNECTOR IS PART MARKED:  
6STD50S□M99B70X CONEC ABC (see note 4)

Ø1,16 (50x)

(5:1)

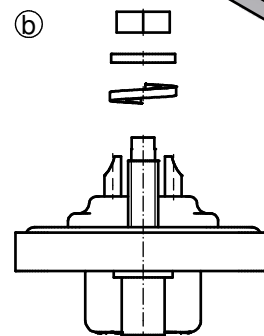
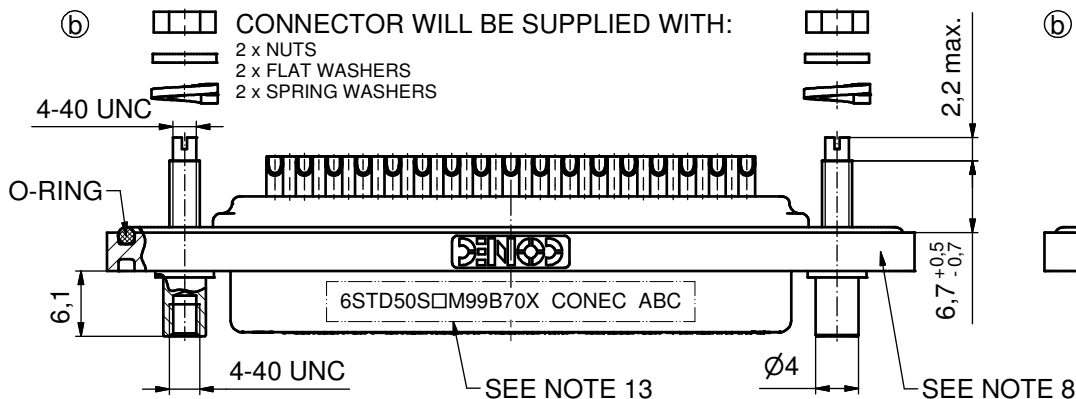


AT ALL TIMES WATER RESISTANT CONNECTORS NOT IN USE SHOULD BE COVERED WITH A CONEC WATER RESISTANT CAP OR WATER TIGHT HOOD.



ⓑ CONNECTOR WILL BE SUPPLIED WITH:

- 2 x NUTS
- 2 x FLAT WASHERS
- 2 x SPRING WASHERS



Directive 2002/95/EC RoHS compliant

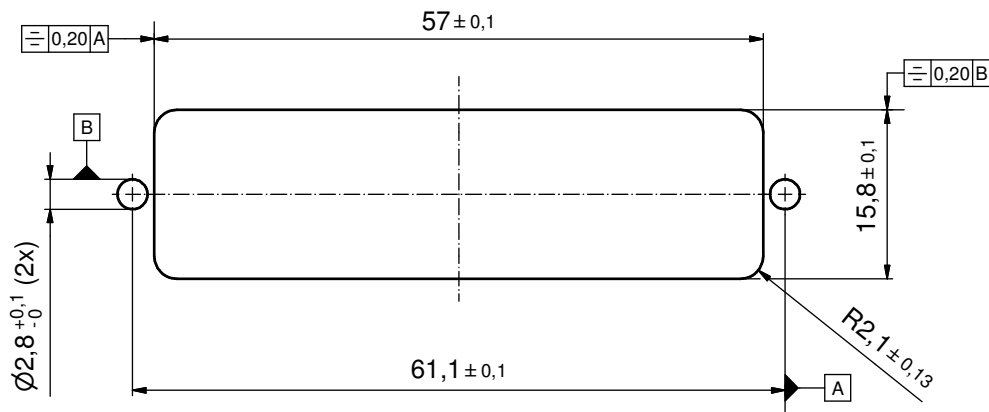
THIS DRAWING MAY NOT BE COPIED OR REPRODUCED IN ANY WAY, AND MAY NOT BE PASSED ON TO A THIRD PARTY WITHOUT WRITTEN PERMISSION. OWNERSHIP AND COPYRIGHT OF CONEC GmbH DO NOT ALTER CAD DRAWING BY HAND	tolerance		dim. in mm		scale:	2:1 (5:1)
					material:	SEE NOTES
	drawn	13.01.11	Henneboel		title:	
	appd.	13.01.11	Fischer			
	norm					
6 x b	A5223	26.05.2014	K.H.	dwg no:		DIN-A3
a	Original			15K1A778		sh: 1/2
rev.	description	date	name	part no: 6STD50S□M99B70X		(see note 4)

**CONEC**

## Solder Instruction

1. Cable should be prepared for soldering. The cable/wires must be pretinned.
2. Insert cable/wire into solder cup.
3. Operate the soldering iron at 350 °C, 50 Watt max. and use a pencil tip.
4. Put tip to wire in solder cup.
5. After 1 second bring in solder.
6. Heat for 3 seconds longer. Do not heat contact more than 4 seconds in total.
7. Remove soldering iron.
8. Wait until solder gets rigid again.
9. Do not solder adjacent contacts consecutively, alternate position within the connector to minimize heat build up.

## RECOMMENDED PANEL CUT-OUT



THIS DRAWING MAY NOT BE COPIED OR REPRODUCED IN ANY WAY, AND MAY NOT BE PASSED ON TO A THIRD PARTY WITHOUT WRITTEN PERMISSION. OWNERSHIP AND COPYRIGHT OF CONEC GmbH DO NOT ALTER CAD DRAWING BY HAND				tolerance		scale: 2:1
				date	name	material: SEE SHEET 1
				drawn	13.01.11	Henneboel
				appd.	13.01.11	Fischer
				norm		
				d-old		
				title: RECOMMENDED PANEL CUT- OUT		
			D-SUB FEMALE 50pos. SOLDER CUP			
			with threaded lock and 4-40 UNC stud bolt			
			dwg no:			
			15K1A778			
			DIN-A3			
			sh: 2/2			
			part no: SEE SHEET 1			