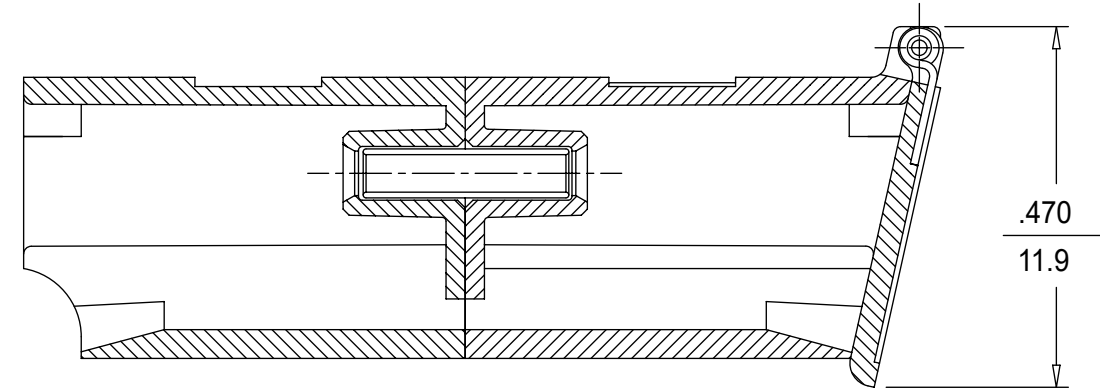
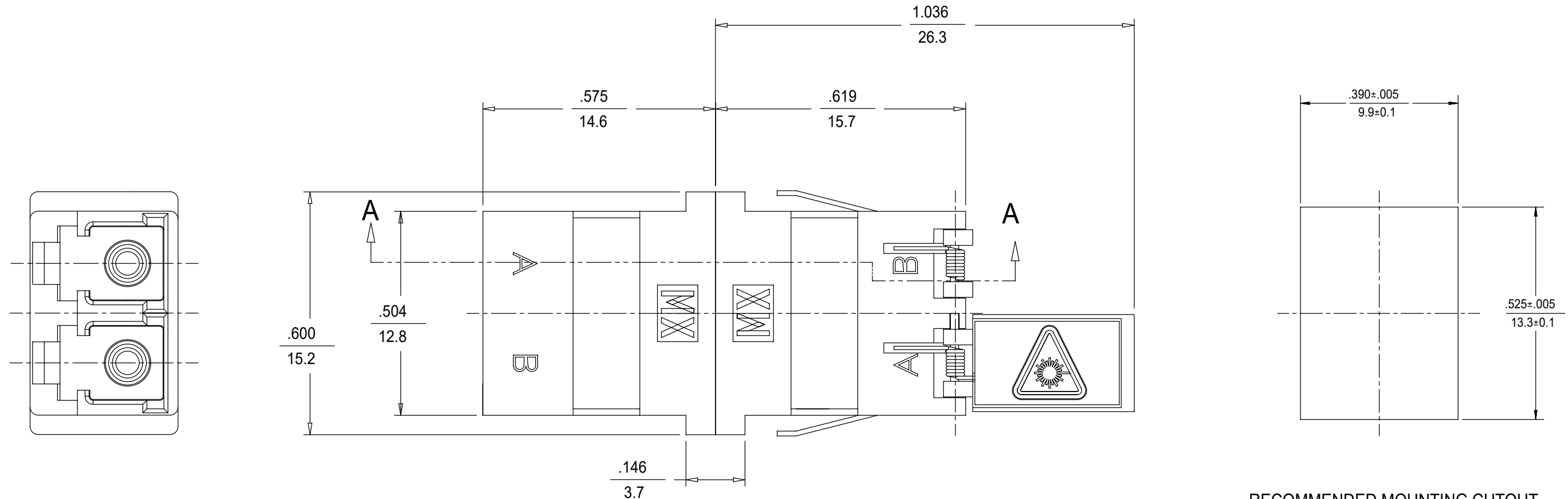
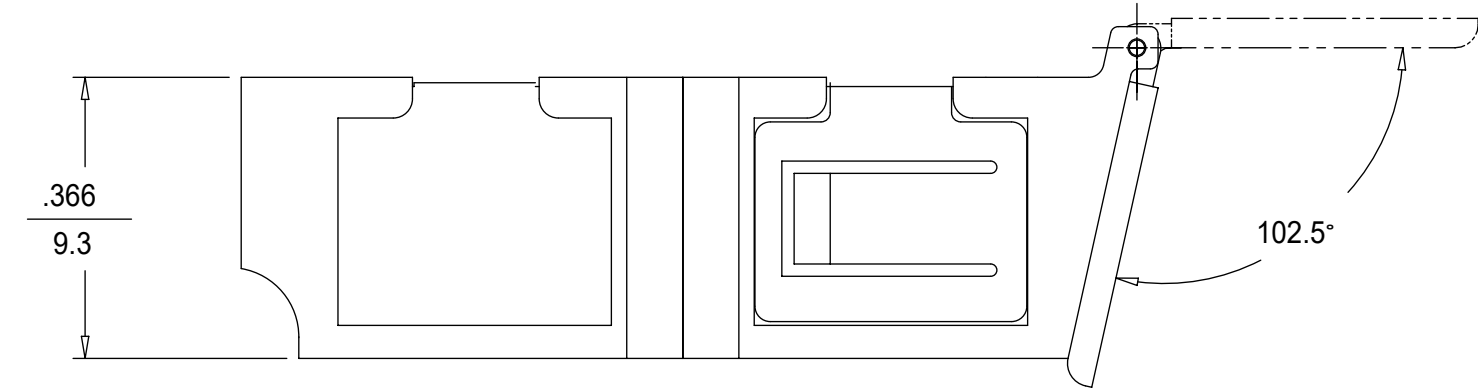


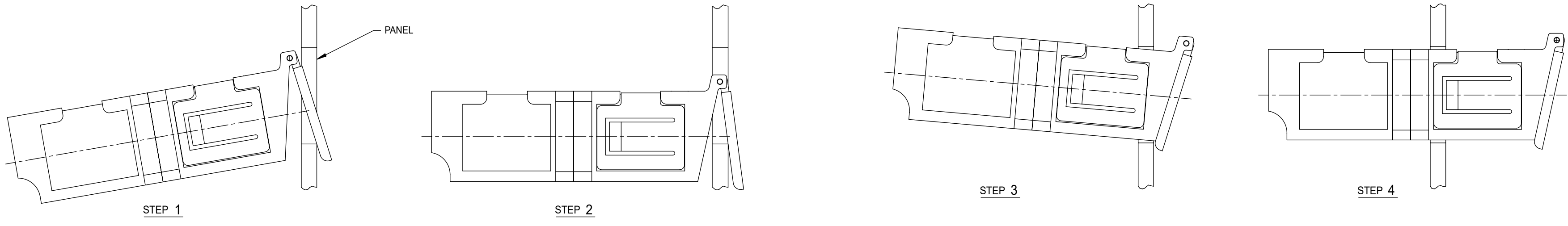
LC ADAPTER P/N	COLOR	SPLIT SLEEVE MATERIAL	DOOR TYPE
106127-0412	BEIGE	Zr	PLASTIC
106127-1455	GREEN		



SECTION A-A



RECOMMENDED MOUNTING CUTOUT
FOR $\frac{.063}{1.6}$ THICK PANEL



NOTES:
1. DUST CAPS ARE NOT SHOWN, BUT INCLUDED.

FUNCTIONAL SYMBOLS $\frac{F}{A} = 0$ $\frac{F}{C} = 0$ $\frac{F}{P} = 0$ DIVISIONAL SYMBOLS 4 PLACES ± 3 PLACES ± 2 PLACES ± 1 PLACE ± 0 PLACES ±	THIS DRAWING CONTAINS INFORMATION THAT IS PROPRIETARY TO MOLEX ELECTRONIC TECHNOLOGIES, LLC AND SHOULD NOT BE USED WITHOUT WRITTEN PERMISSION DIMENSION UNITS: INCH/MM SCALE: 1:1		CURRENT REV DESC: EC NO: 652962 DRWN: SKRISHNAMU01 CHK'D: WCHEN APPR: WCHEN						
	GENERAL TOLERANCES (UNLESS SPECIFIED) ANGULAR TOL ± 0.5°		2021/05/31 2021/08/24 2021/08/24					LC DUPLEX ADAPTER W/ SHUTTERS (SMALL FLANGE/SC FOOT PRINT)	
	DRAFT WHERE APPLICABLE MUST REMAIN WITHIN DIMENSIONS		THIRD ANGLE PROJECTION		DRAWING SERIES: C-SIZE 106127		PRODUCT CUSTOMER DRAWING DOCUMENT NUMBER: SD-106127-0412 DOC TYPE: PSD DOC PART: 001 REVISION: C		
	MATERIAL NUMBER: SEE TABLE		CUSTOMER: GENERAL MARKET		SHEET NUMBER: 1 OF 1				