

4

3

2

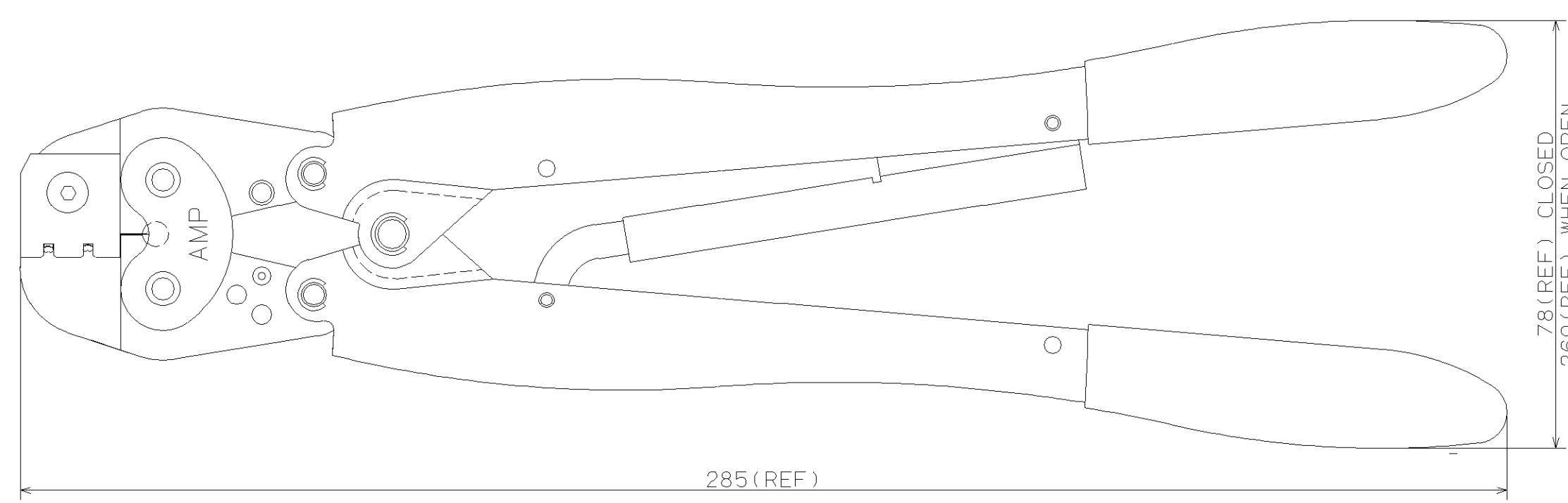
1

THIS DRAWING IS UNPUBLISHED. RELEASED FOR PUBLICATION .19 .

LOC DIST REVISIONS
 J - 変更

© COPYRIGHT 19 BY AMP INCORPORATED. ALL RIGHTS RESERVED.

P	LTR	DESCRIPTION	DATE	DWN	APVD
0		RELEASED FJ00-1519-01	9 JUL 01	(M.E) J.K	S.Y



CRIMP SYMBOL	TERMINAL NO.		WIRE SIZE	INSULATION RANGE	TERMINAL C.H.WIRE	IS NO.
	L	P				
圧着部 記号	適用端子 バラ状		適用電線 AWG (mm ²)	絶縁被覆径 mm	芯線圧着高さ mm	取扱説明書 番号
22-20	1376703		#22~#20 (0.37~0.56)	1.4~1.7	1.08~1.24	411-78002
18	1376705		#18 (0.88)	1.5~1.9	1.21~1.37	

THIS DRAWING IS A CONTROLLED DOCUMENT FOR AMP INCORPORATED. IT IS SUBJECT TO CHANGE AND THE CONTROLLING ENGINEERING ORGANIZATION SHOULD BE CONTACTED FOR THE LATEST REVISION.		DWN (M.ENDOH) 05 JUL '01	AMP Tyco Electronics AMP K.K. Kawasaki, Japan
DIMENSIONS: 単位: ㎜ mm		CHK J.KOGA 05 JUL '01	
TOLERANCES UNLESS OTHERWISE SPECIFIED: 0 PLC ± 1 PLC ± 2 PLC ± 3 PLC ± 4 PLC ± ANGLES ±		APVD S.YABE 05 JUL '01	NAME 名称
MATERIAL 材料		PRODUCT SPEC 製品規格 114-5228-3	DOUBLE ACTION HAND TOOL (040 III Unsealed TAB-MS.S Contact)
		FINISH 仕上	APPLICATION SPEC 取付適用規格
		WEIGHT 620 g	SIZE A3
		CUSTOMER DRAWING	CAGE CODE 番号 00779
			DRAWING NO. ©-1463381-1
			SCALE 尺度 //
			SHEET 1 OF 1
			REV 0