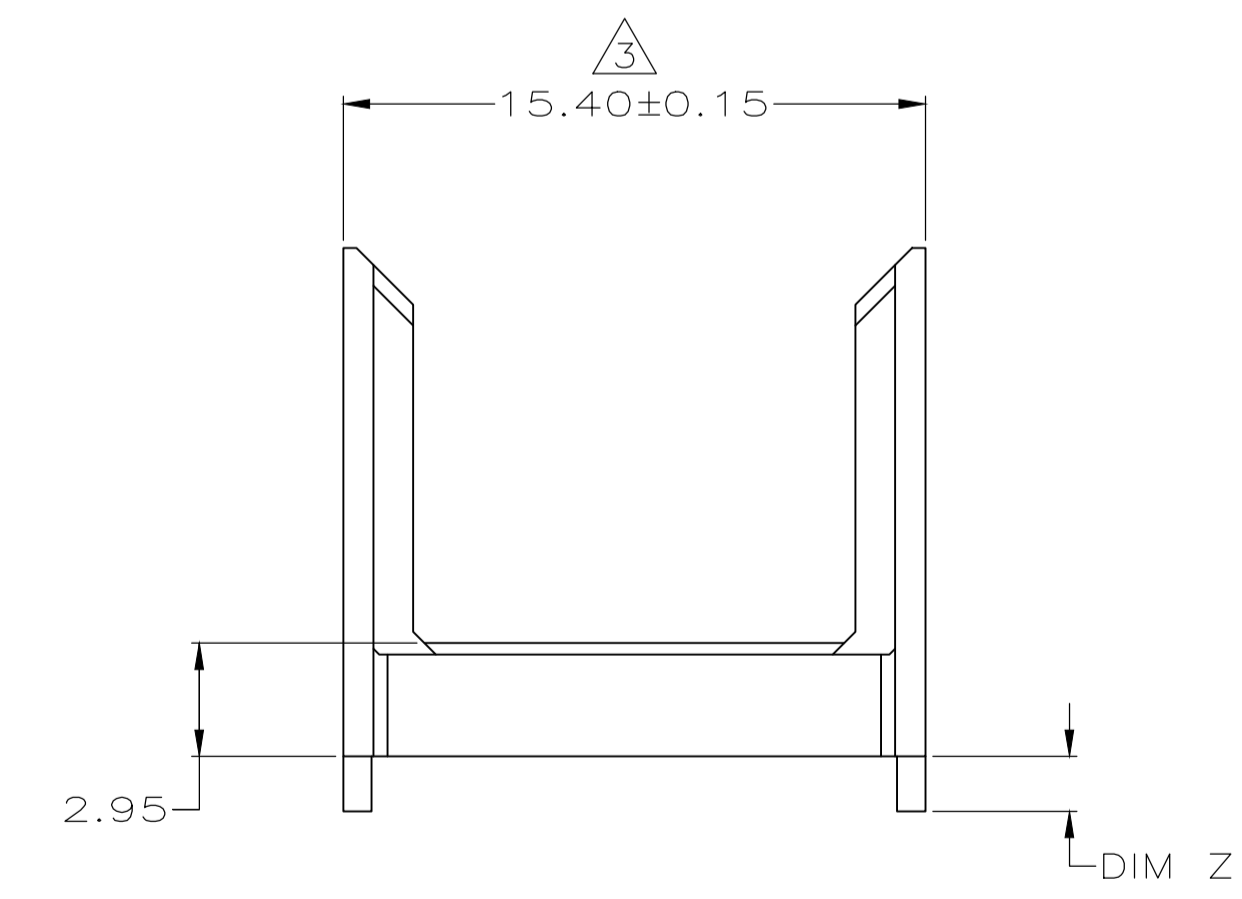
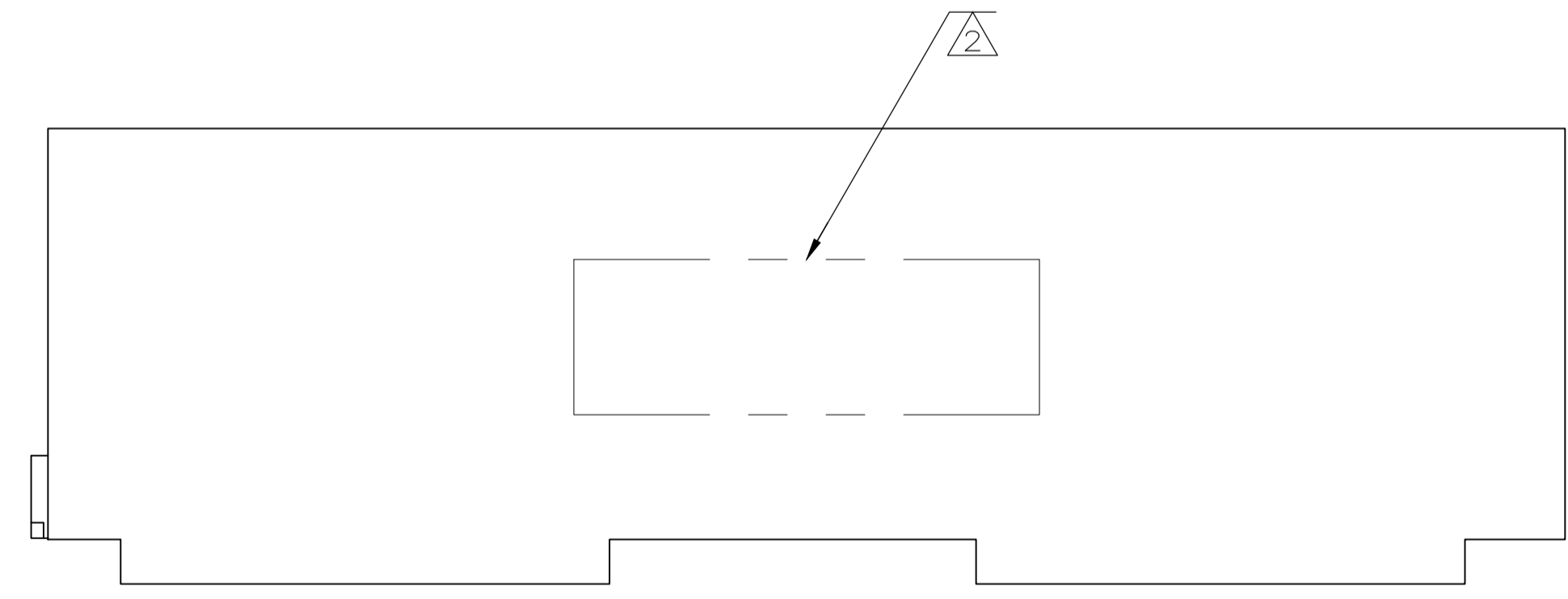
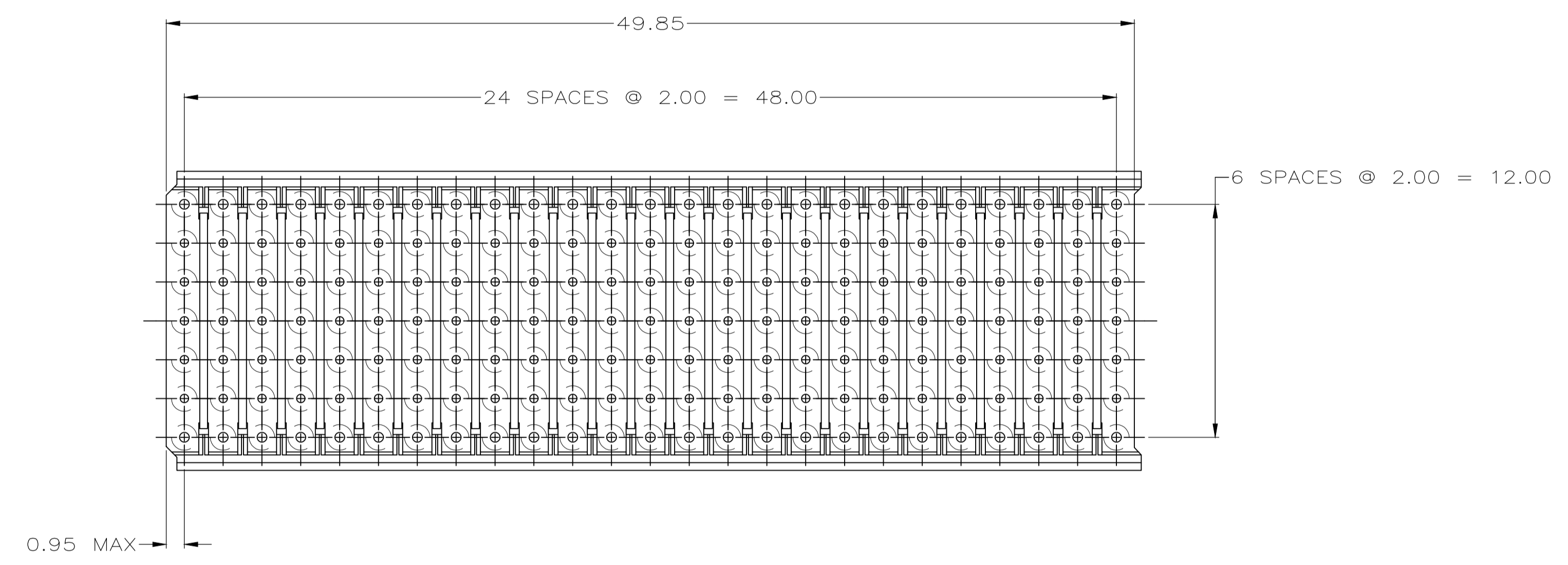
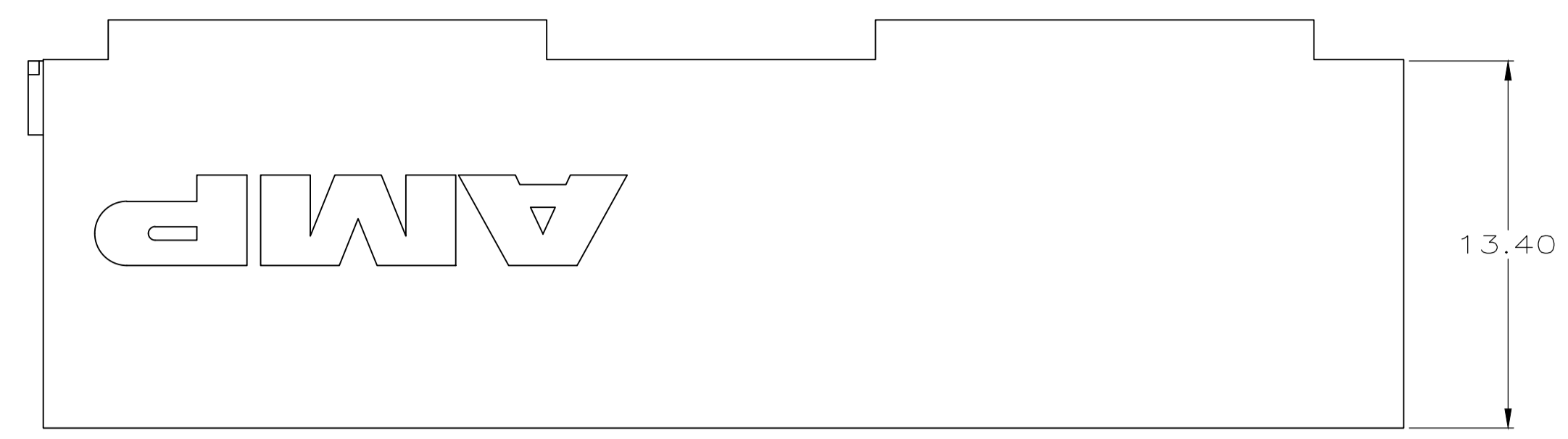


REVISIONS				
P	LTR	DESCRIPTION	DATE	APPV
E		ECR-18-000598	28FEB2018	FL HL



- 1 MATERIAL: GLASS FILLED POLYESTER.
- 2 PART NUMBER MARKED IN APPROXIMATE AREA SHOWN.
- 3 TO BE MEASURED AT BASE OF SHROUD.
- 4 OBSOLETE PARTS: OBSOLETE CIS STREAMLINING PER D.RENAUD/D.SINISI

	1.90	646479-7
	1.70	646479-6
	1.50	646479-5
	1.30	646479-4
	1.10	646479-3
	0.90	646479-2
		646479-1
	DIM Z	PART NUMBER

4 OBSOLETE

THIS DRAWING IS A CONTROLLED DOCUMENT.		DIN T. SHUEY 6-16-98	TE Connectivity	
DIMENSIONS: mm		CHK G. SKIPPER 11-23-98	APPROVED G. SKIPPER 11-23-98	
TOLERANCES UNLESS OTHERWISE SPECIFIED:		NAME SHROUD, TYPE B,Z-PACK 2mm HM, 5 ROW, 175 POSITION		
0-PLC ±		APPLICATION SPEC		
1-PLC ±		SIZE A1		
2-PLC ±0.05		CAGE CODE 00779		
3-PLC ±		DRAWING NO 646479		
4-PLC ±		WEIGHT 0.000000		
ANGLES		RESTRICTED TO RESTRICTED CUSTOMER		
MATERIAL 1		SCALE 5:1		
		SHEET 1 OF 1		
		REV E		