

# SACCBP-FS-12CON-M16/10,0-PVCSCO - Device connector, rear mounting



1423002

<https://www.phoenixcontact.com/us/products/1423002>

Please be informed that the data shown in this PDF document is generated from our online catalog. Please find the complete data in the user documentation. Our general terms of use for downloads are valid.



Device connector, rear mounting, Universal, 12-position, PVC/PVC, black RAL 9005, shielded, Socket, straight, M12-SPEEDCON, on free cable end, Rear mounting, M16 x 1.5, Individual wires, cable length: 10 m, 0.14 mm<sup>2</sup>, PVC black, Alternative product in accordance with RoHS II without Exemption 6c (Pb <0.1%) item no.: 1239400

## Your advantages

- Preassembled with cables in various standard lengths for immediate use
- Customer-specific assemblies and cable lengths can be supplied
- Sealed on the cable side for optimum tightness of seal
- For high transmission safety: shield connection to the housing with optional EMC nut

## Commercial data

Item number	1423002
Packing unit	1 pc
Minimum order quantity	50 pc
Sales key	AB25
Product key	ABQDGG
GTIN	4055626323626
Weight per piece (including packing)	706 g
Weight per piece (excluding packing)	706 g
Customs tariff number	85444290
Country of origin	DE

# SACCBP-FS-12CON-M16/10,0-PVCSCO - Device connector, rear mounting



1423002

<https://www.phoenixcontact.com/us/products/1423002>

## Technical data

### Notes

General	The electrical and mechanical data specified assume that the connector pair is correctly locked and mounted. If the connector is unlocked and if there is a danger of contamination, the connector must be sealed using a protective cap > IP54. Influences arising from litz wires, cables or PCB assembly must also be taken into consideration.
---------	--

### Mounting

Mounting type	Rear mounting M16 x 1.5 Thread with flat nut
Assembly instructions	Thread with flat nut
Connection method	Individual wires

### Product properties

Product type	Circular connectors (device side)
Sensor type	Universal
Number of positions	12
No. of cable outlets	1
Shielded	yes
Coding	A

### Insulation characteristics

Overvoltage category	II
Degree of pollution	3

### Material specifications

Flammability rating according to UL 94	V0
Seal material	FKM
Contact material	CuZn
Contact surface material	Au
Contact carrier material	PA 6.6
Material for screw connection	Zinc die-cast, nickel-plated
Outer sheath, material	PVC
Conductor material	Tin-plated Cu litz wires

### Electrical properties

Rated surge voltage	0.8 kV
Contact resistance	≤ 3 mΩ
Insulation resistance	≥ 100 MΩ
Nominal voltage $U_N$	30 V
Nominal current $I_N$	1.5 A
Max. conductor resistance	142 Ω/km

# SACCBP-FS-12CON-M16/10,0-PVCSCO - Device connector, rear mounting



1423002

<https://www.phoenixcontact.com/us/products/1423002>

## Connection data

### Conductor connection

Connection method	Individual wires
Tightening torque	3 Nm
	4 Nm

## Mechanical properties

### Mechanical data

Insertion/withdrawal cycles	> 100
Max. bending cycles	2000000

## Connector

### Connection 1

Head design	Socket
Head cable outlet	straight
Head thread type	M12
Head locking type	SPEEDCON

### Connection 2

Head design	free cable end
-------------	----------------

## Cable/line

Cable length	10 m
Cable type	PVC black
Short symbol	PVC
Signal type/category	Universal
External cable diameter	8.50 mm
Outer sheath, material	PVC
External sheath, color	black RAL 9005
Wire diameter incl. insulation	1.1 mm ±0.05 mm
Single wire, color	white-brown, green-yellow, gray-pink, blue-red, black-violet, gray/pink-red/blue
Material, inner sheath	PVC
Conductor material	Tin-plated Cu litz wires
Conductor structure signal line	7x 0.16 mm
AWG signal line	26
Material wire insulation	PVC
Thickness, insulation	0.21 mm
Overall twist	Six pairs around the filler to the core
Shielding	Tinned copper braided shield
Optical shield covering	85 %

# SACCBP-FS-12CON-M16/10,0-PVCSCO - Device connector, rear mounting



1423002

<https://www.phoenixcontact.com/us/products/1423002>

Nominal voltage, cable	300 V
Test voltage, cable	2000 V AC
Cable resistance	142 Ω/km
Number of bending cycles	2000000
Bending radius	85 mm
Traversing path	10 m
Traversing rate	3 m/s
Acceleration	10 m/s <sup>2</sup>
Resistance to oil	DIN VDE 0472 Part 803, test type B
Flame resistance	DIN VDE 0472 part 804, test type B
Other resistance	Hydrolysis and microbe resistant as per VDE 0282 section 10
Ambient temperature (operation)	-40 °C ... 85 °C (cable, fixed installation) -25 °C ... 85 °C (Cable, flexible installation)

## Environmental and real-life conditions

### Ambient conditions

Degree of protection	IP67 (When plugged in)
	IP65 (When plugged in)
	IP65/IP67
Ambient temperature (operation)	-25 °C ... 85 °C (Plug / socket)
	-40 °C ... 85 °C (without mechanical actuation)
	-25 °C ... 85 °C (Cable, flexible installation)
	-40 °C ... 85 °C (cable, fixed installation)
Resistance to oil	DIN VDE 0472 Part 803, test type B

## Standards and regulations

Flame resistance	DIN VDE 0472 part 804, test type B
Resistance to oil	DIN VDE 0472 Part 803, test type B
Other resistance	Hydrolysis and microbe resistant as per VDE 0282 section 10
Standard designation	M12 connector
Standards/specifications	IEC 61076-2-101

# SACCBP-FS-12CON-M16/10,0-PVCSCO - Device connector, rear mounting

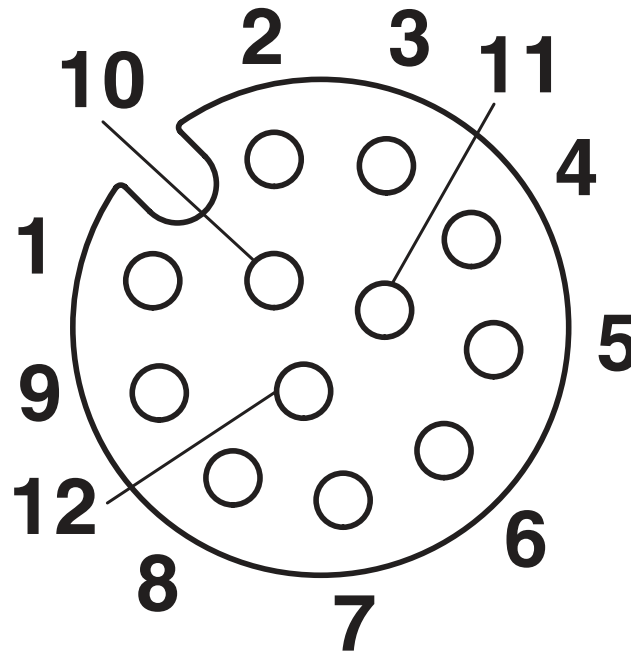


1423002

<https://www.phoenixcontact.com/us/products/1423002>

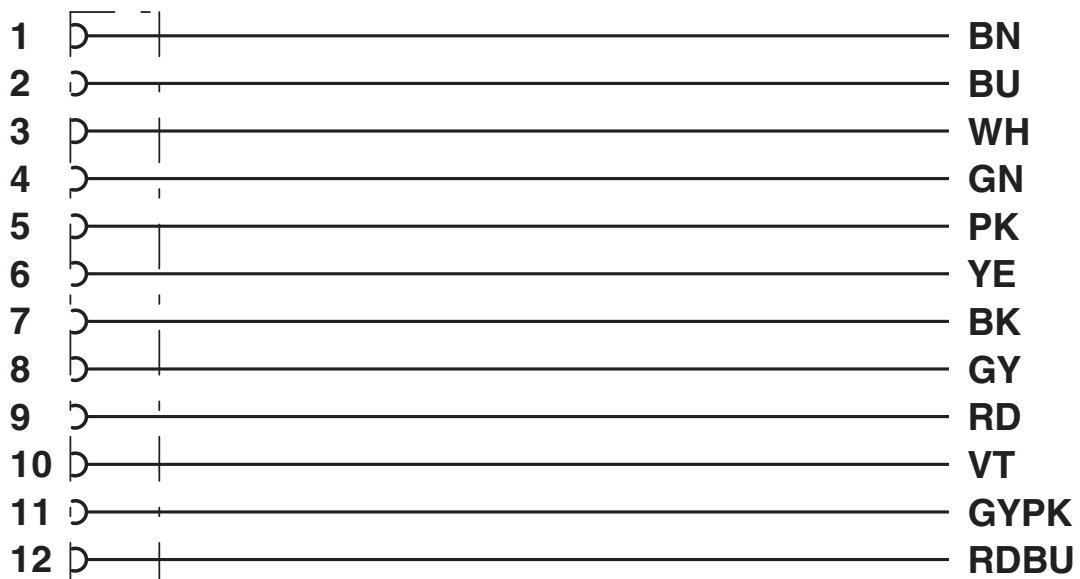
## Drawings

Schematic diagram



Pin assignment M12 socket, 12-pos., A-coded, view female side

Circuit diagram



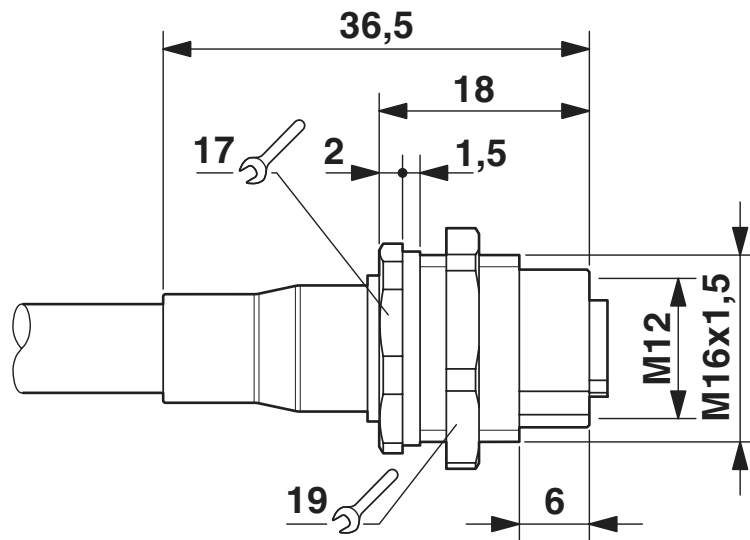
# SACCBP-FS-12CON-M16/10,0-PVCSCO - Device connector, rear mounting



1423002

<https://www.phoenixcontact.com/us/products/1423002>

Dimensional drawing



Dimensional drawing

# SACCBP-FS-12CON-M16/10,0-PVCSCO - Device connector, rear mounting



1423002

<https://www.phoenixcontact.com/us/products/1423002>

## Approvals

To download certificates, visit the product detail page: <https://www.phoenixcontact.com/us/products/1423002>



**EAC**

Approval ID: B.01687



**cUL Recognized**

Approval ID: E221474-20220908

	Nominal voltage $U_N$	Nominal current $I_N$	Cross section AWG	Cross section $\text{mm}^2$
	30 V	1.5 A	-	-



**UL Recognized**

Approval ID: E221474-20220908

	Nominal voltage $U_N$	Nominal current $I_N$	Cross section AWG	Cross section $\text{mm}^2$
	30 V	1.5 A	-	-

**cULus Recognized**

# SACCBP-FS-12CON-M16/10,0-PVCSCO - Device connector, rear mounting



1423002

<https://www.phoenixcontact.com/us/products/1423002>

## Classifications

### ECLASS

ECLASS-11.0	27440102
ECLASS-12.0	27440116
ECLASS-13.0	27440116

### ETIM

ETIM 8.0	EC002635
----------	----------

### UNSPSC

UNSPSC 21.0	39121400
-------------	----------



# SACCBP-FS-12CON-M16/10,0-PVCSCO - Device connector, rear mounting



1423002

<https://www.phoenixcontact.com/us/products/1423002>

## Environmental product compliance

REACH SVHC	Lead 7439-92-1
China RoHS	Environmentally Friendly Use Period = 50 years
	For information on hazardous substances, refer to the manufacturer's declaration available under "Downloads"

# SACCBP-FS-12CON-M16/10,0-PVCSCO - Device connector, rear mounting



1423002

<https://www.phoenixcontact.com/us/products/1423002>

## Accessories

### SACC-M16-SEALING PLUG SET - Screw plug

1453368

<https://www.phoenixcontact.com/us/products/1453368>



Screw plug, Rear mounting, M16 x 1.5, Alternative product in accordance with RoHS II without Exemption 6c (Pb <0.1%) item no.: 1239800

---

### PROT-M12 - Screw plug

1680539

<https://www.phoenixcontact.com/us/products/1680539>



An M12 screw plug for the unoccupied M12 sockets of the sensor/actuator cable, boxes and flush-type connectors

# SACCBP-FS-12CON-M16/10,0-PVCSCO - Device connector, rear mounting



1423002

<https://www.phoenixcontact.com/us/products/1423002>

## PROT-M12 SH - Screw plug

1503302

<https://www.phoenixcontact.com/us/products/1503302>



An M12 screw plug for the unoccupied M12 sockets of the shielded sensor/actuator cable, boxes and flush-type connectors

---

## PROT-M12 FB - Screw plug

1555538

<https://www.phoenixcontact.com/us/products/1555538>



M12 high-grade steel screw plug, for unoccupied M12 sockets of the sensor/actuator cables, boxes and flush-type connectors for the food industry

# SACCBP-FS-12CON-M16/10,0-PVCSCO - Device connector, rear mounting



1423002

<https://www.phoenixcontact.com/us/products/1423002>

## SACC-M16-SEAL CLM - Flat gasket

1430394

<https://www.phoenixcontact.com/us/products/1430394>

M16 flat gasket for M12 flush-type connectors with M16 fastening thread



---

Phoenix Contact 2023 © - all rights reserved  
<https://www.phoenixcontact.com>

Phoenix Contact USA  
586 Fulling Mill Road  
Middletown, PA 17057, United States  
(+717) 944-1300  
[info@phoenixcon.com](mailto:info@phoenixcon.com)