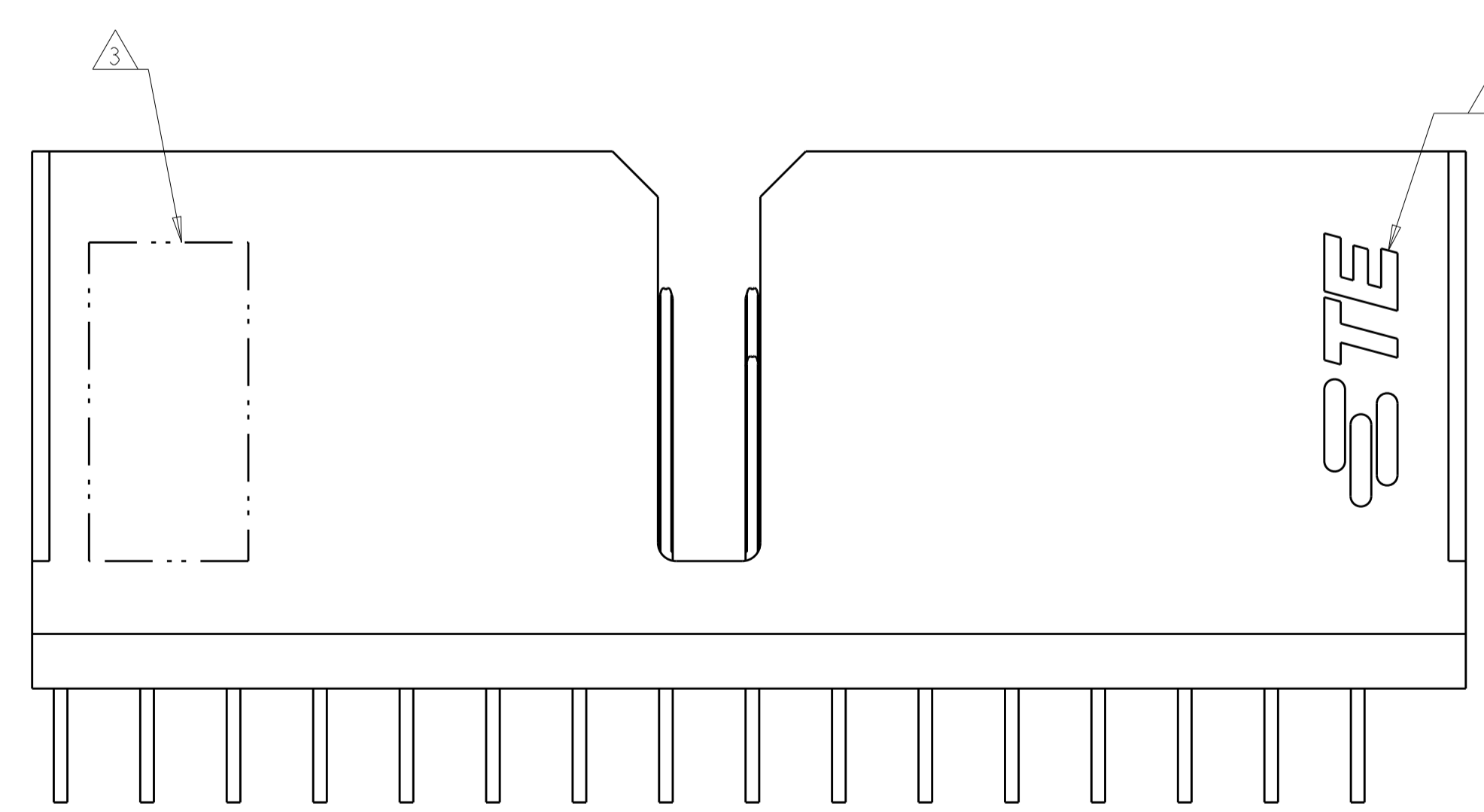
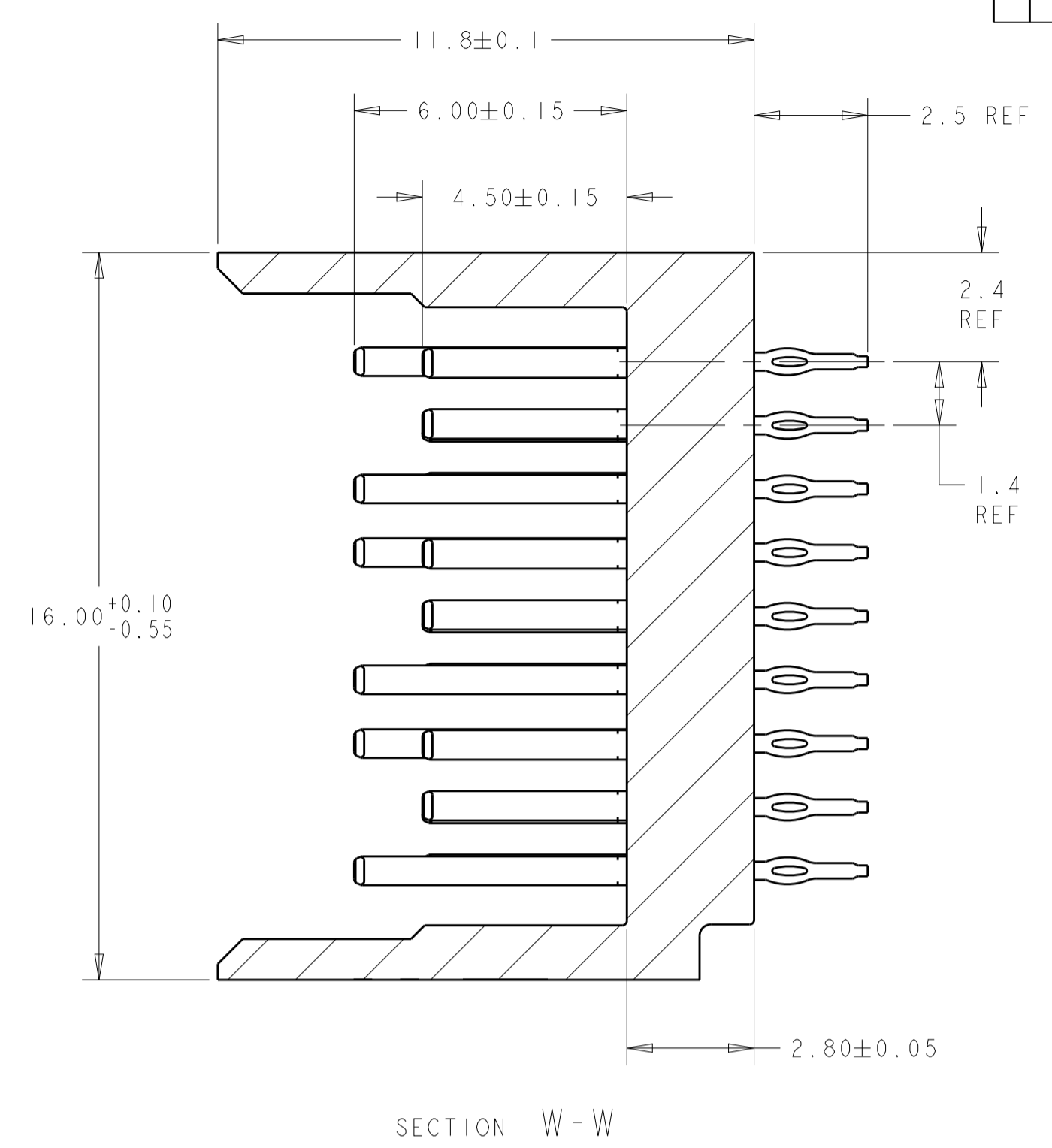
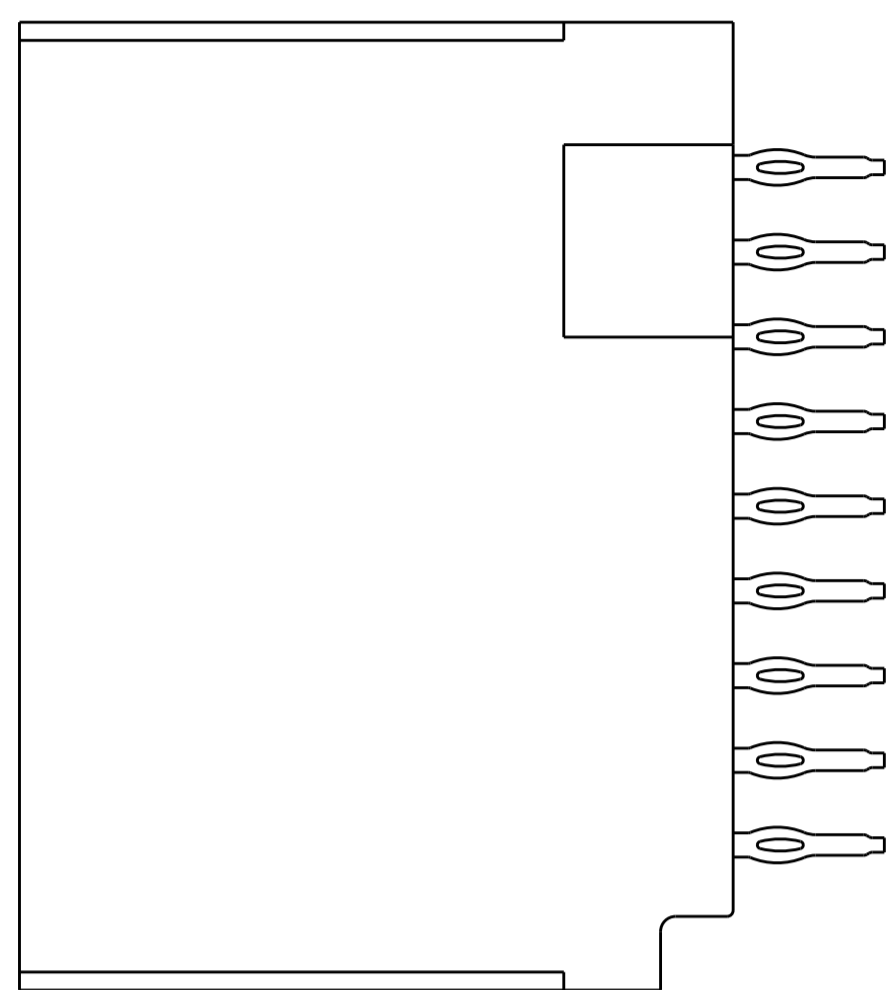
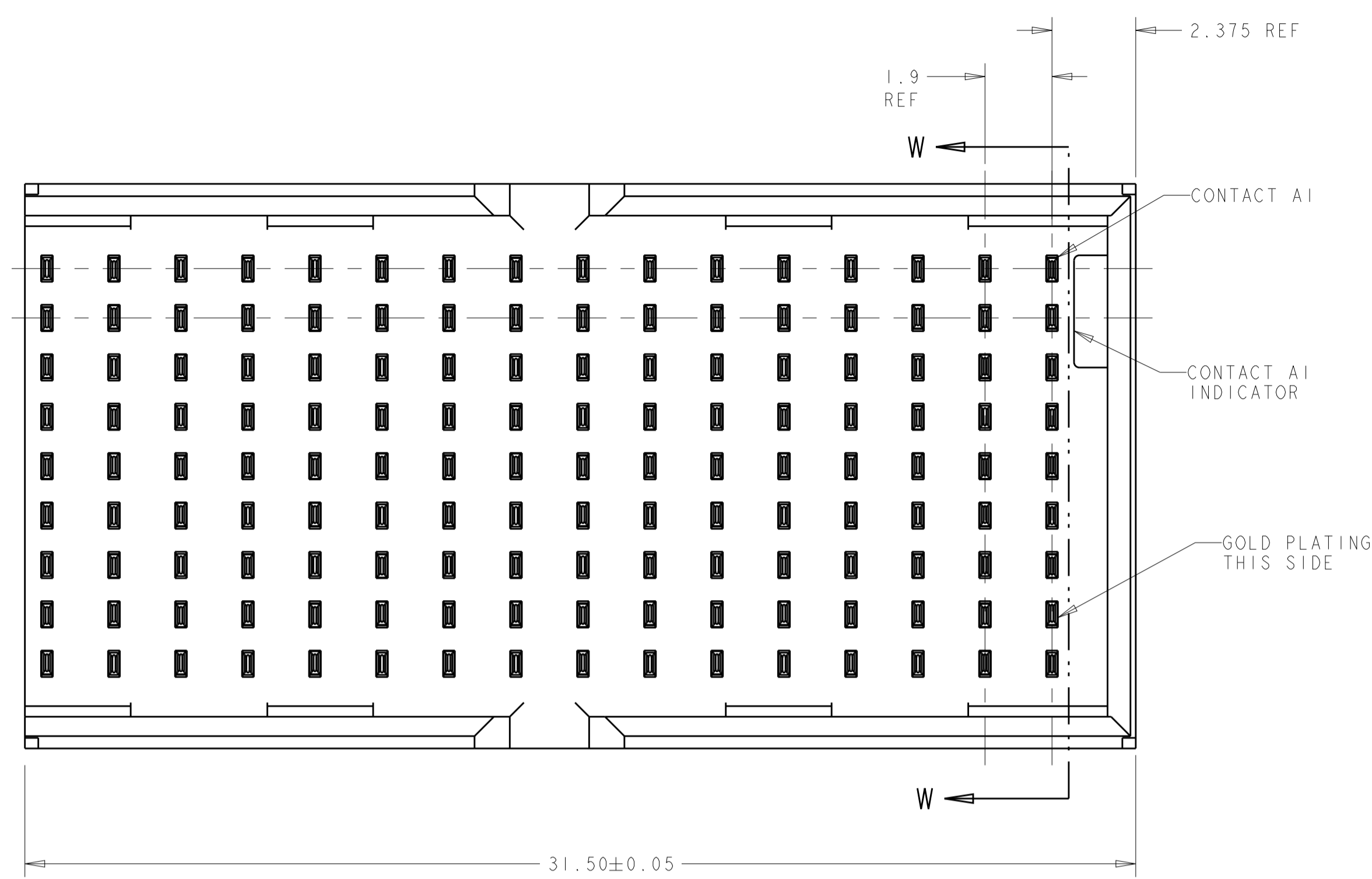
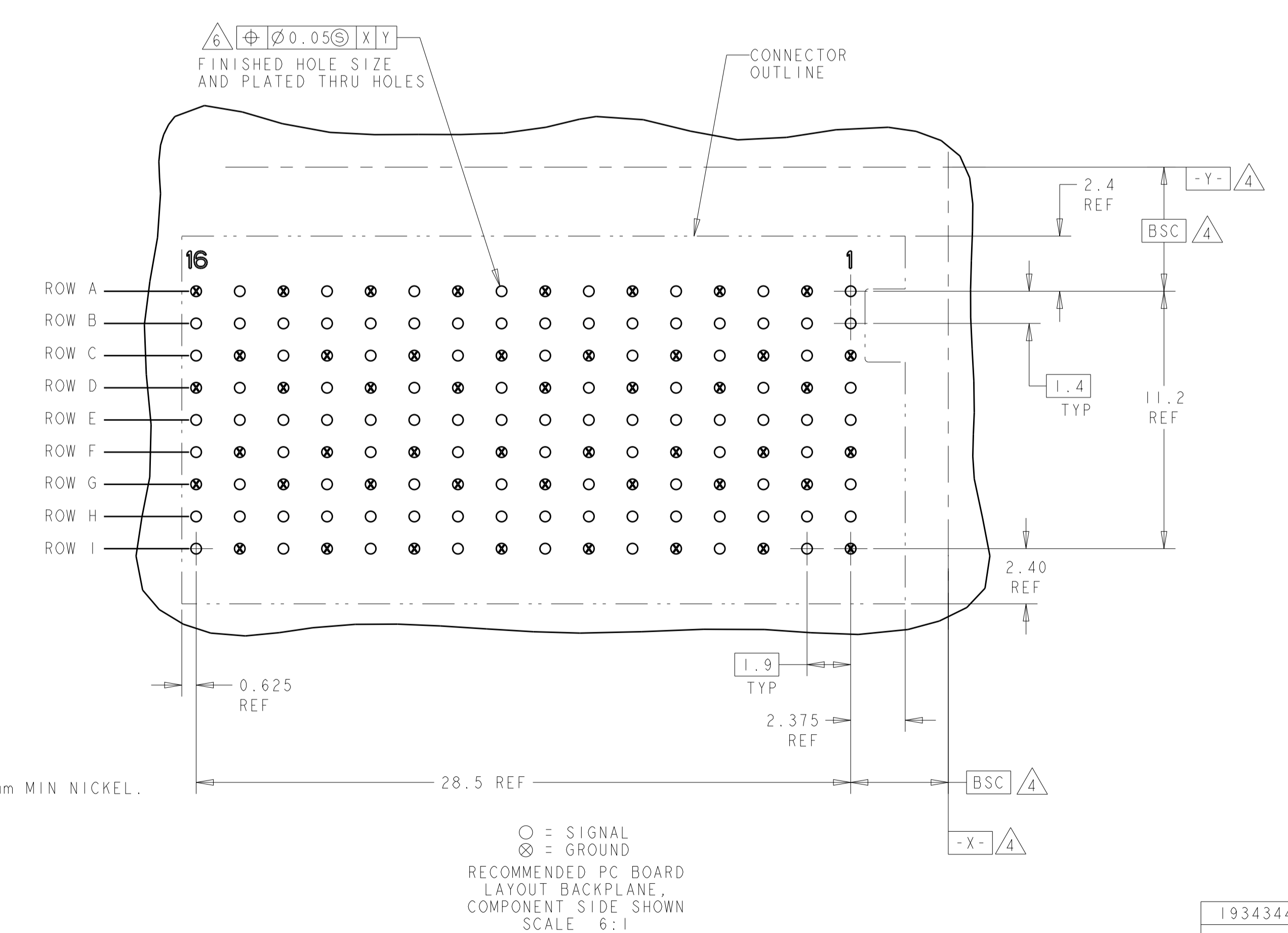


LOC		DIST		REVISIONS			
P	LTN	DESCRIPTION	DATE	DWN	APVD		
F		REVISED PER ECO-13-010626	07AUG2013	KH	RP		
G		REVISED PER ECO-19-009248	05JUL2019	AP	SY		



- 1 MATERIAL:  
CONTACT - PHOS BRONZE  
HOUSING - LCP, UL 94V-0, COLOR - BLACK
- 2 FINISH:  
CONTACT AREA FINISH CONFORMS TO THE REQUIREMENTS OF TE PRODUCT SPECIFICATION 108-2303; BASED ON TELCORDIA GR-1217-CORE FOR SYSTEM QUALITY LEVEL III, APPLICATIONS IN CONTROLLED ENVIRONMENTS (CENTRAL OFFICE).  
COMPLIANT PIN AREA- 0.5µm MIN MATTE TIN OVER 1.27µm MIN NICKEL.
- 3 CONNECTOR MARKED WITH PART NUMBER, DATE CODE AND STANDARD IN APPROXIMATE AREA SHOWN
- 4 DATUMS AND BASIC DIMENSIONS ESTABLISHED BY CUSTOMER.
- 5. CONTACT AREA LUBRICATED WITH BELLCORE APPROVED LUBRICANT. TECHNICAL REFERENCE GR-1217-CORE, ISSUE 1, NOVEMBER 1995.
- 6 REFERENCE APPLICATION SPEC 114-13202 FOR RECOMMENDED PLATED THRU HOLE DIAMETER AND PLATING THICKNESSES.
- 7 SHOWN LOGO OR OTHER TE OWNED LOGOS IN APPROXIMATE AREA.



RECOMMENDED PC BOARD LAYOUT BACKPLANE, COMPONENT SIDE SHOWN SCALE 6:1

1934344-1  
PART NUMBER

THIS DRAWING IS A CONTROLLED DOCUMENT.		DWN S. MAGARO 15JUN2007	<b>STE</b> TE Connectivity	
DIMENSIONS:		CHK W. DAVIS 15JUN2007		
mm	0 PLC ±	APVD W. DAVIS 15JUN2007	NAME	
	1 PLC ±	PRODUCT SPEC	HEADER ASSEMBLY, LEFT WALL, 3 PAIR, 16 COLUMN	
	2 PLC ±	APPLICATION SPEC	TinMan	
	3 PLC ±	WEIGHT	SIZE	CAGE CODE
	4 PLC ±	Customer Drawing	A100779	C=1934344
	ANGLES	SCALE	8:1	SHEET 1 OF 1
	FINISH	REV	G	