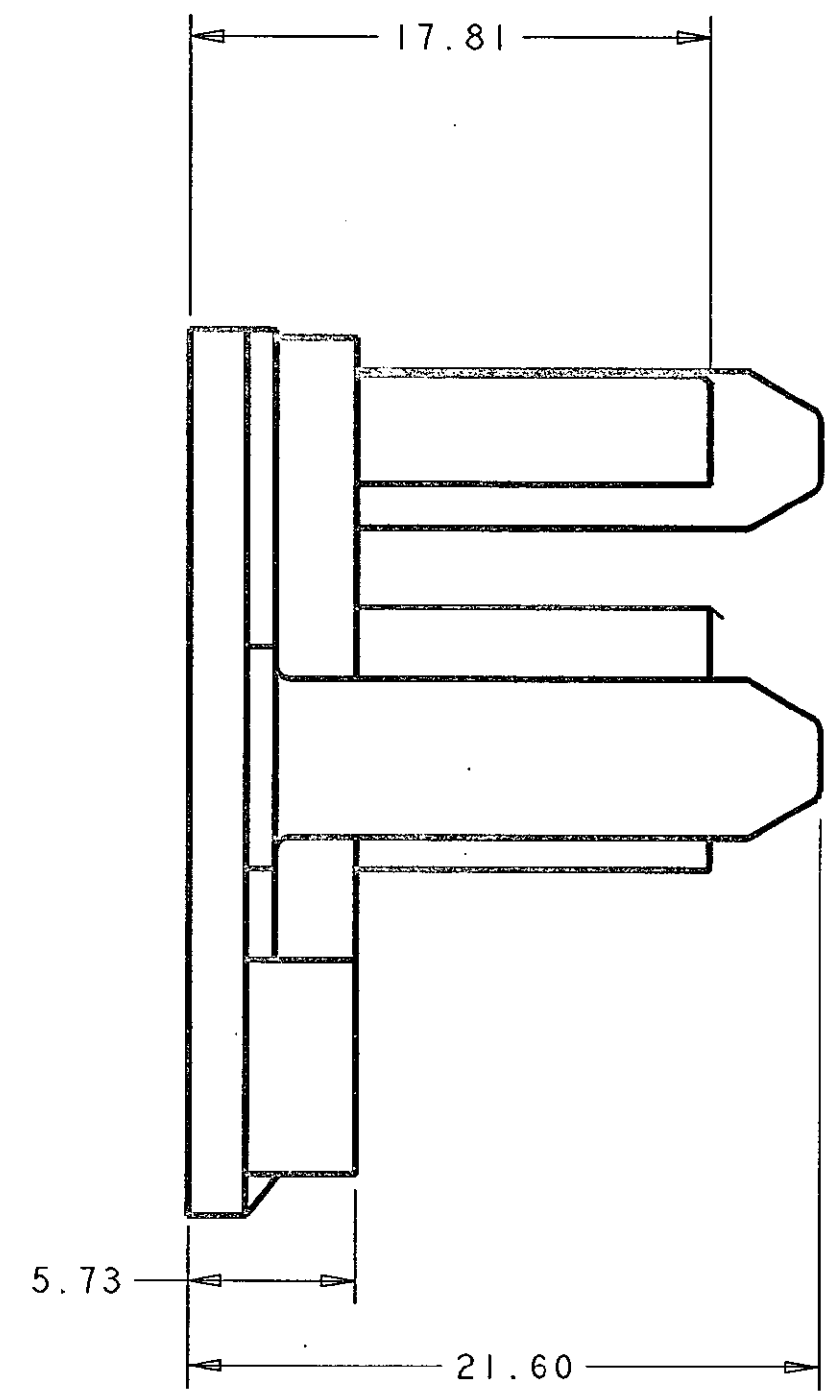
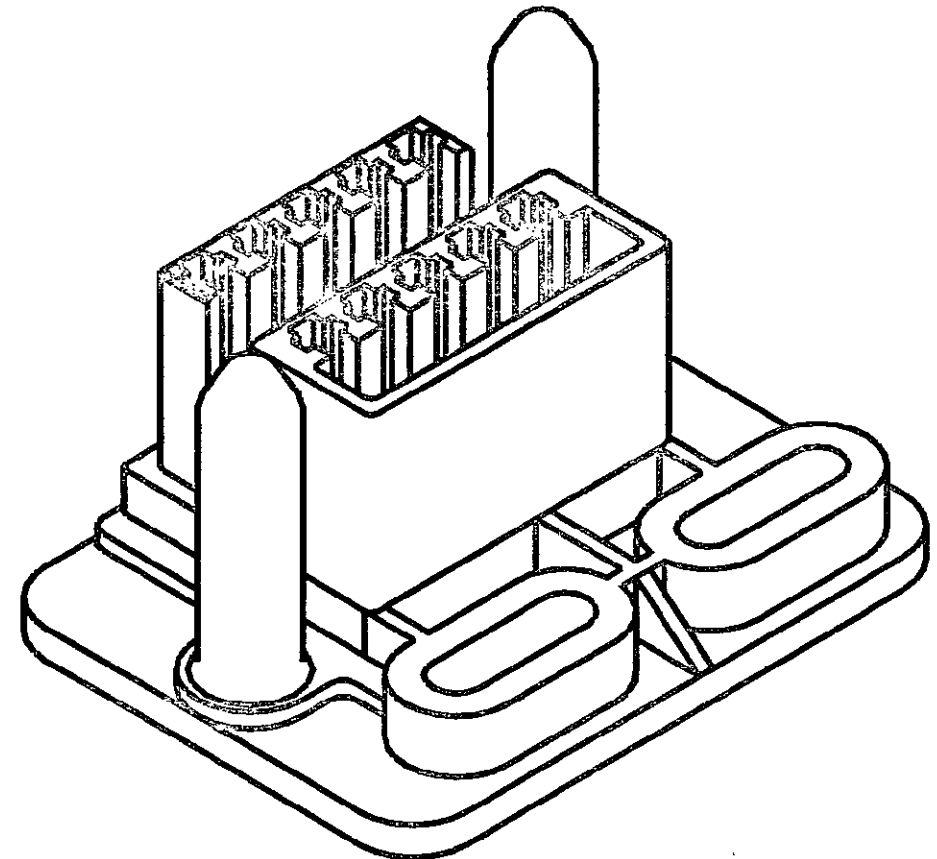
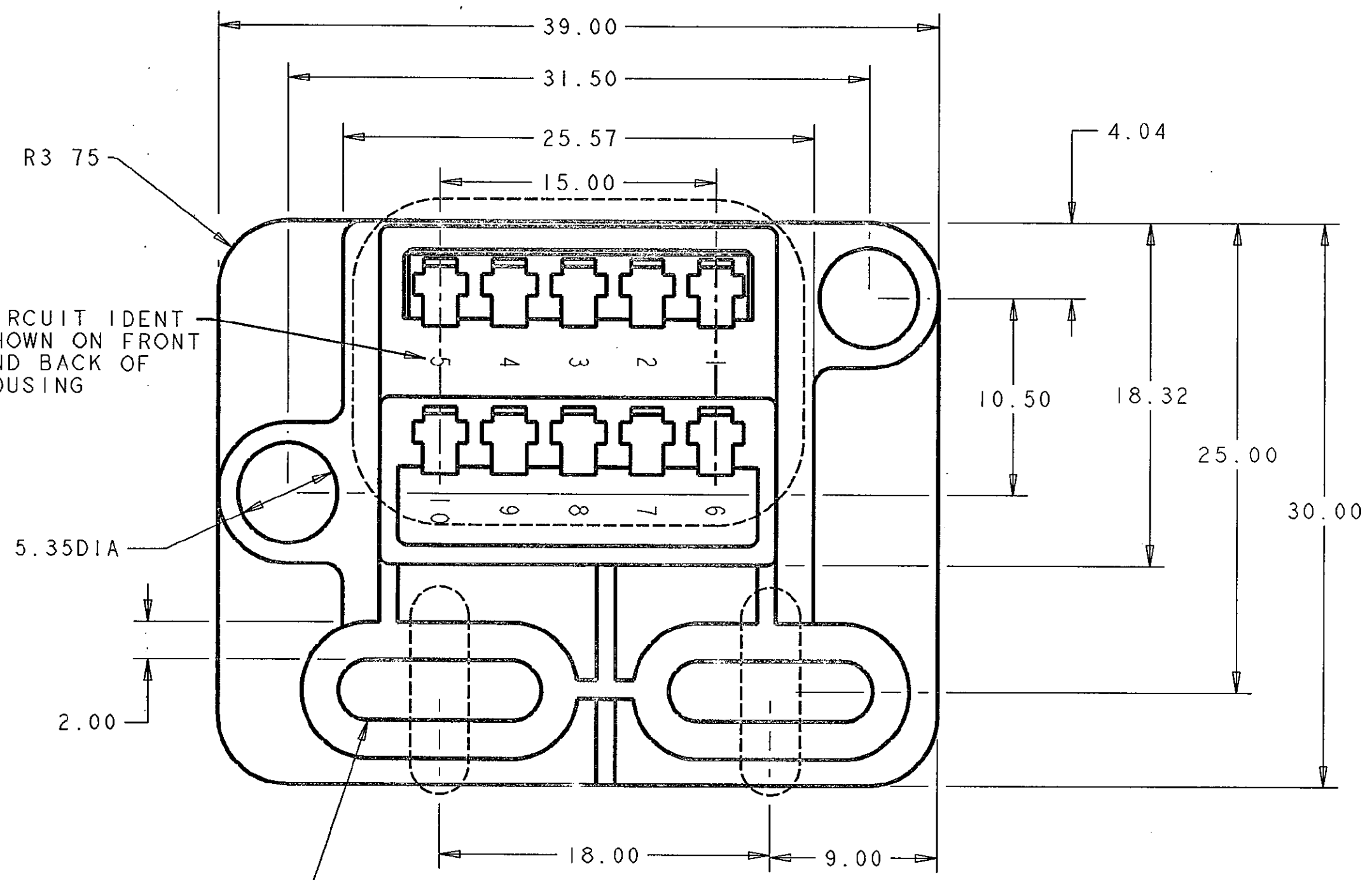


C.A.D. FILE CODE  
C343347.A

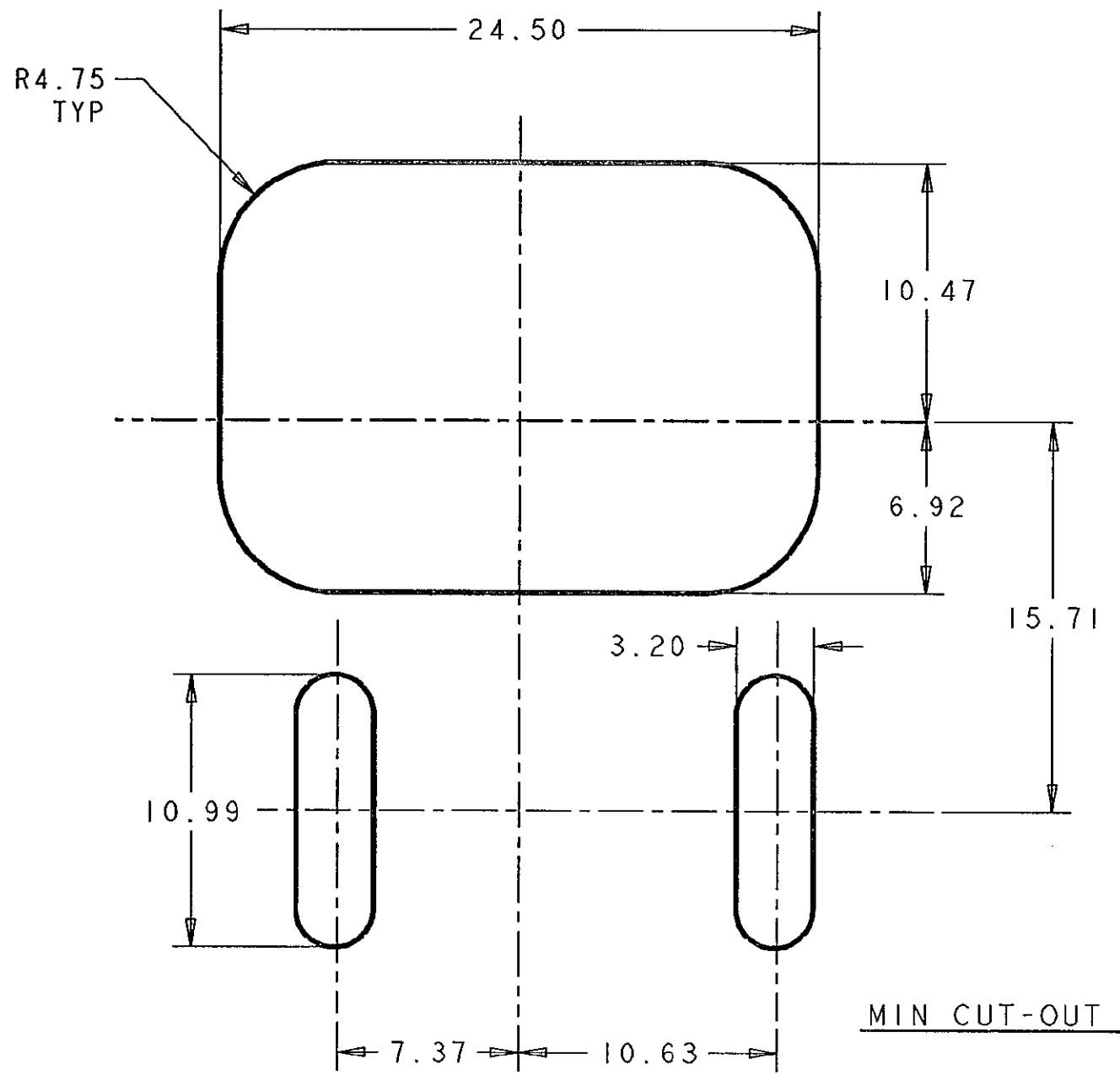
DO NOT SCALE DIMENSIONS IN MM.



R3.75  
CIRCUIT IDENT  
SHOWN ON FRONT  
AND BACK OF  
HOUSING

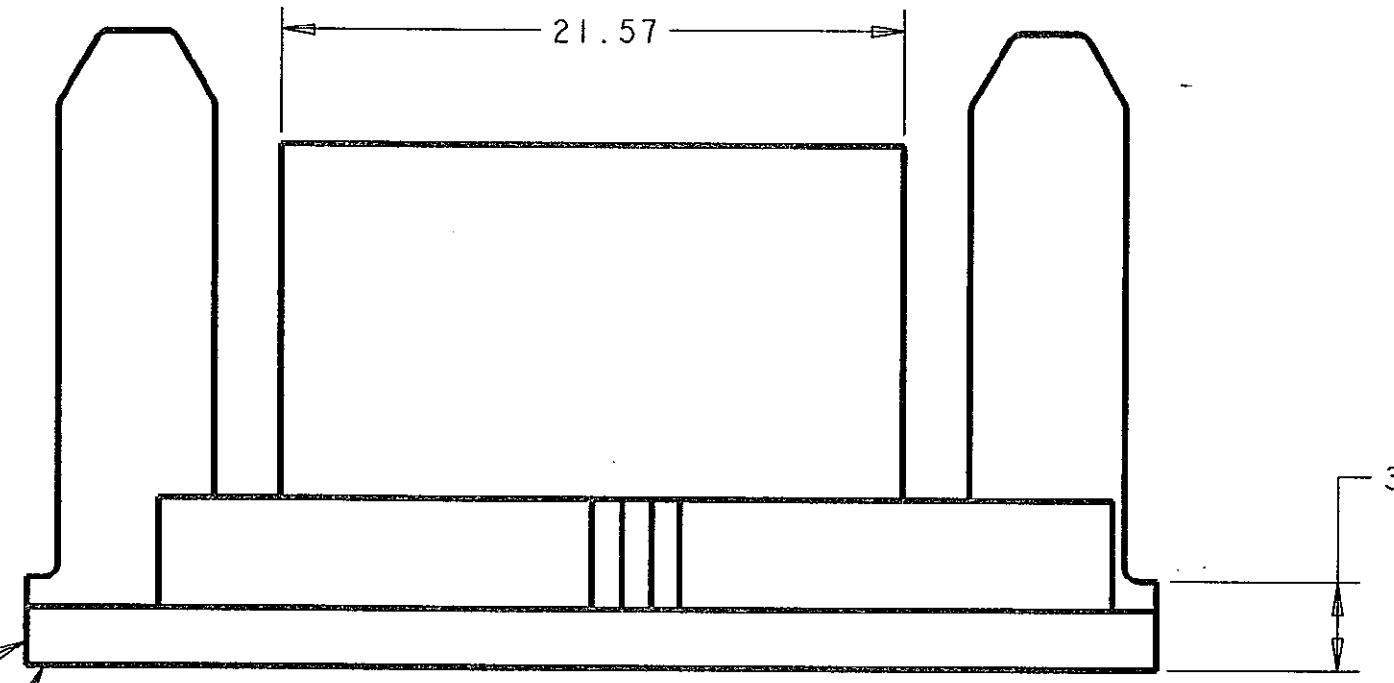


2-SLOTS 3.2 WIDE x 11 LONG



MIN CUT-OUT DIMS

MOULDING AS -1 BUT WITH GATE  
BURR TRIMMED



BLACK	30% GF PBT UL 94 V0	343347-2
BLACK	30% GF PBT UL 94 V0	343347-1
FINISH	MATERIAL	PART NUMBER
<b>CUSTOMER DWG</b> FOR REFERENCE ONLY		
THIS INFORMATION IS CONFIDENTIAL AND IS DISCLOSED TO YOU ON CONDITION THAT NO FURTHER DISCLOSURE IS MADE BY YOU TO OTHER THAN AMP PERSONNEL WITHOUT WRITTEN AUTHORIZATION FROM AMP OF GREAT BRITAIN LTD.		
TOLERANCES UNLESS OTHERWISE STATED: DEC ± 0.5 ANGLES ± 1°	DR. A. J. BEKEN CH. R. W. BAKER	22 FEB 1989 APP. R. W. BAKER
NAME 10 WAY DRAWER CONN PLUG HOUSING		
A A. J. BEKEN eb00-0341-95 24-08-95	SCALE LOC SIZE DWG No.	REV SHEET
0 A. J. BEKEN C5149 22-2-89	4/1 E A2 C343347	A 1/1
REV APPROVED	ECN DATE	