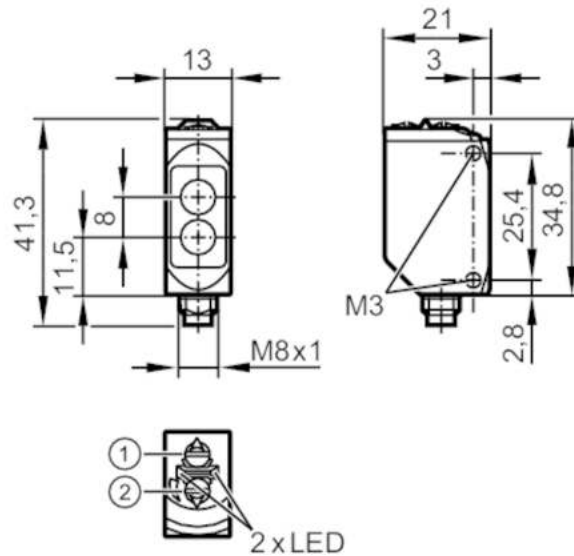




## Retro-reflective sensor

O6P-FPKG/AS/4P



- 1: output function switch  
2: potentiometer sensitivity



### Product characteristics

|               |             |
|---------------|-------------|
| Type of light | red light   |
| Housing       | rectangular |

### Application

|                    |                         |
|--------------------|-------------------------|
| Special feature    | polarisation filter     |
| Function principle | Retro-reflective sensor |

### Electrical data

|                             |              |
|-----------------------------|--------------|
| Operating voltage [V]       | 10...30 DC   |
| Current consumption [mA]    | 12; ((24 V)) |
| Protection class            | III          |
| Reverse polarity protection | yes          |
| Type of light               | red light    |
| Wave length [nm]            | 633          |

### Outputs

|  |                                     |
|--|-------------------------------------|
| Electrical design                                    | PNP                                 |
| Output function                                      | light-on/dark-on mode; (selectable) |
| Max. voltage drop switching output DC [V]            | 2.5                                 |
| Permanent current rating of switching output DC [mA] | 100                                 |
| Switching frequency DC [Hz]                          | 1000                                |
| Short-circuit protection                             | yes                                 |
| Type of short-circuit protection                     | pulsed                              |



## Retro-reflective sensor

O6P-FPKG/AS/4P

| Detection zone                        |                              |   |
|---------------------------------------|------------------------------|---|
| Range referred to prismatic reflector | [m]                          | 0.05...5; (Prismatic reflector Ø 80 E20005)                                 |
| Range adjustable                      |                              | yes   |
| Max. light spot diameter              | [mm]                         | 150   |
| Light spot dimensions refer to        |                              | at maximum range  |
| Polarisation filter available         |                              | yes   |
| Interfaces                            |                              |   |
| Communication interface               |                              | IO-Link   |
| Transmission type                     |                              | COM2 (38,4 kBaud)   |
| IO-Link revision                      |                              | 1.1   |
| SDCI standard                         |                              | IEC 61131-9   |
| Profiles                              |                              | Smart Sensor: Device Identification; Binary Data Channel                    |
| SIO mode                              |                              | yes   |
| Required master port type             |                              | A   |
| Min. process cycle time               | [ms]                         | 2.5   |
| IO-Link process data (cyclical)       | function                     | bit length  |
|                                       | process value                | 8   |
|                                       | binary switching information | 1   |
| IO-Link functions (acyclical)         |                              | application specific tag; operating hours counter; switching cycles counter |
| Supported DeviceIDs                   | Type of operation            | DeviceID  |
|                                       | Default                      | 422   |
| Operating conditions                  |                              |   |
| Ambient temperature                   | [°C]                         | -25...80  |
| Protection                            |                              | IP 65; IP 67; IP 68; IP 69K   |
| Tests / approvals                     |                              |   |
| EMC                                   |                              | EN 60947-5-2  |
| MTTF                                  | [years]                      | 681   |
| UL approval                           |                              | UL Approval no. E010  |
| Mechanical data                       |                              |   |
| Weight                                | [g]                          | 34.4  |
| Housing                               |                              | rectangular   |
| Dimensions                            | [mm]                         | 41.3 x 13 x 21  |
| Materials                             |                              | housing: stainless steel (1.4404 / 316L); plastics: PPSU; Sealing: EPDM     |
| Lens material                         |                              | PMMA  |
| Lens alignment                        |                              | side lens   |
| Tightening torque                     | [Nm]                         | 1; (screws)   |
| Displays / operating elements         |                              |   |
| Display                               | switching status             | 1 x LED, yellow   |
|                                       | operation                    | 1 x LED, green  |
| Remarks                               |                              |   |
| Remarks                               |                              | operating voltage "supply class 2" according to cULus                       |
| Pack quantity                         |                              | 1 pcs.  |

## Retro-reflective sensor

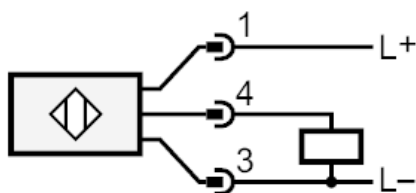
O6P-FPKG/ASJ4P

### Electrical connection

Connector: 1 x M8; coding: A



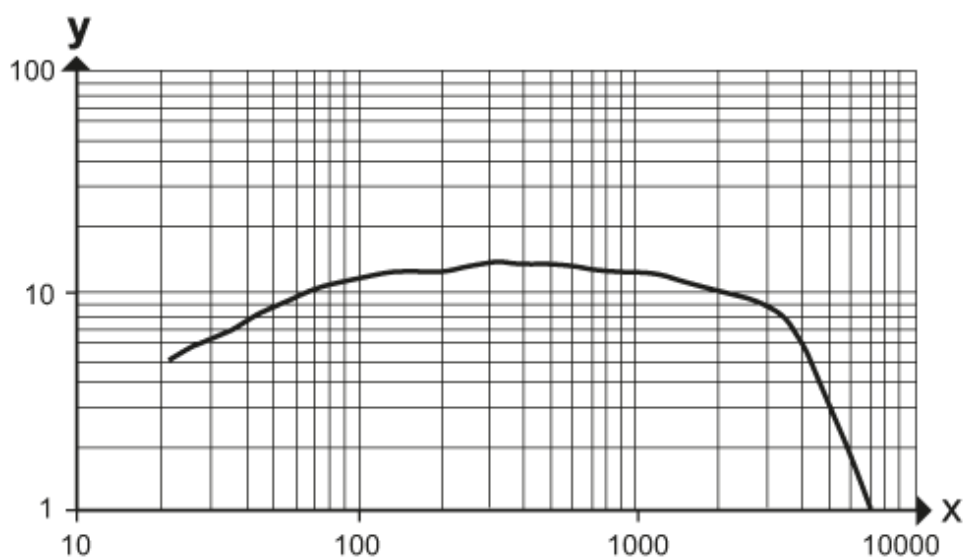
### Connection



4 OUT / IO-Link

### Diagrams and graphs

excess gain graph



x: distance [mm]

y: excess gain factor