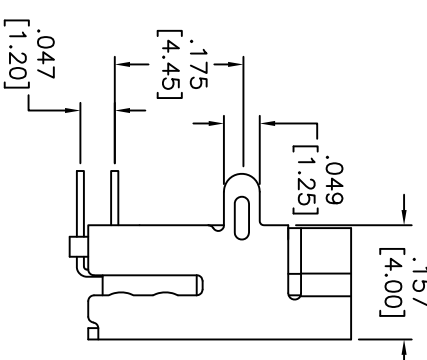
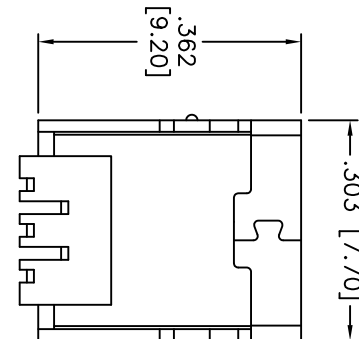
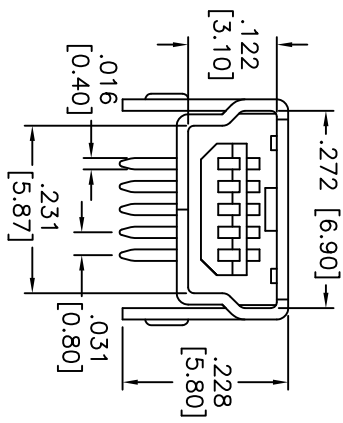
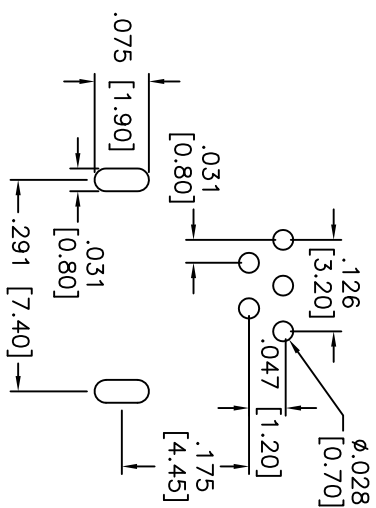


Rev	AWO #	Description	Date	Appr
-		RELEASED	2/7/08	
A		REDRAWN	8/03/09	
B		REVISED SPEC.	1/16/12	

APPROVED: _____
 DATE: _____ TITLE: _____



RECOMMENDED PCB LAYOUT

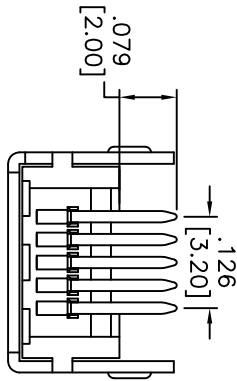


SPECIFICATIONS:

Material:
 Insulator: Hi-temp thermoplastic, glass reinforced, rated UL 94V-0
 Insulator color: Black
 Contacts: Brass
Plating:
 Gold Flash over Nickel underplate on contact area, Tin over Copper underplate on PCB tails

Electrical:

Operating voltage: 30 VAC max
 Current rating: 1 Amps max
 Contact resistance: 50 Mohms max
 Insulation resistance: 100 Mohms min
 Dielectric withstanding voltage: 100 VAC for 1 minute
Temperature Rating:
 Operating temperature: -20°C to +60°C
 Environmental:
 Lead free, RoHS compliant.



A

A

B

B

C

C

D

D

UNLESS OTHERWISE SPECIFIED
 ALL DIMENSIONS ARE INCHES [MM]
 TOLERANCES: EXCEPT AS NOTED
 INCHES Holes
 .X ± .10 Ø.X ± .10
 .XX ± .020 Ø.XXX ± .015
 .XXX ± .015 Ø.XXX ± .010
 APPROVALS DATE

ADAM TECH
 909 Ratway Avenue, Union, NJ 07083
 Phone: 908-687-5000 Fax: 908-687-5710
 TITLE: MINI USB, TYPE B, 5PIN, RIGHT ANGLE PCB MOUNT
 SIZE: PART NO. MUSB-B5-S-RA-1
 REF: S00009C SCALE: NTS SHEET 1 OF 1

DRAWN	SS	2/7/08
CHECKED		
APPROVED		

REV.	B
------	---

