

THIS DRAWING IS UNPUBLISHED.

RELEASED FOR PUBLICATION

ALL RIGHTS RESERVED.

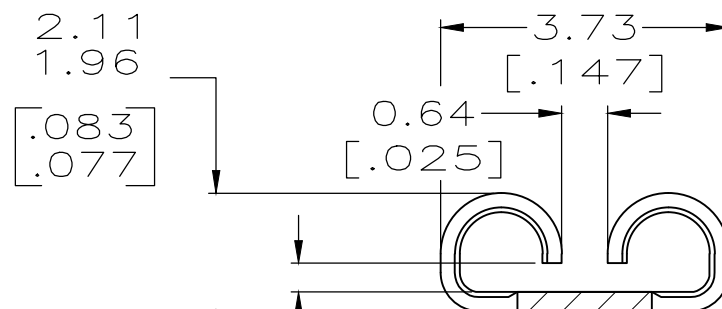
© COPYRIGHT - By -

LOC AF DIST 50

REVISIONS

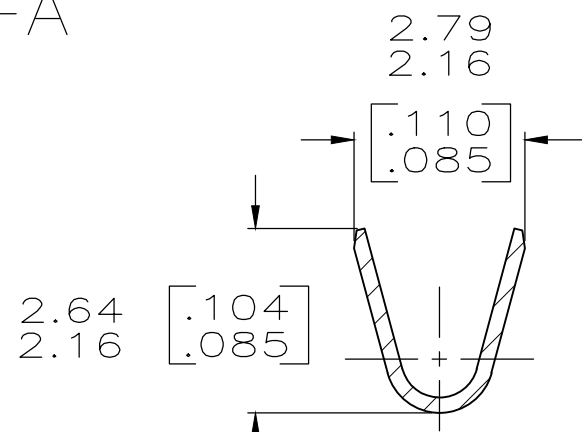
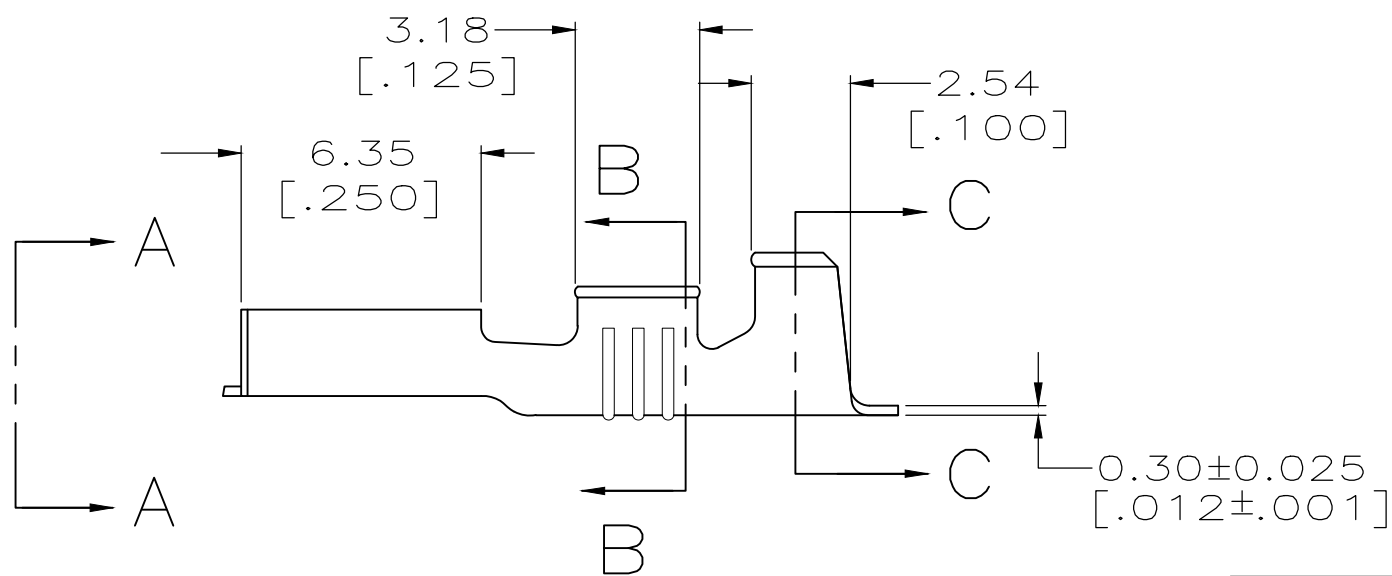
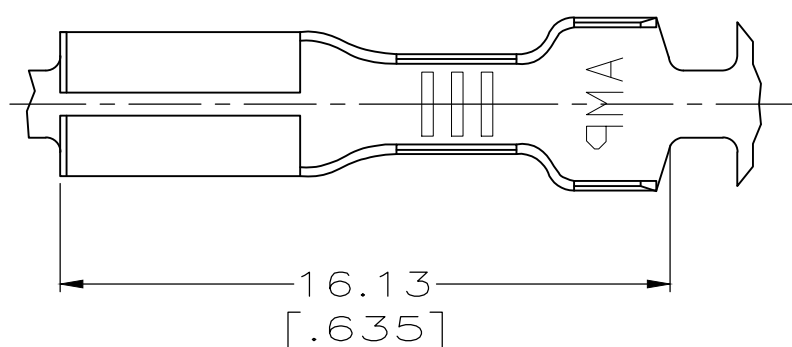
| P | LTR | DESCRIPTION | DATE | DWN | APVD |
|----|-----|---------------------------|-----------|-----|------|
| E1 | | REVISED PER ECR-19-018151 | 12NOV2020 | AA | EW |

A1 CONTINUOUS STRIP ON REELS.

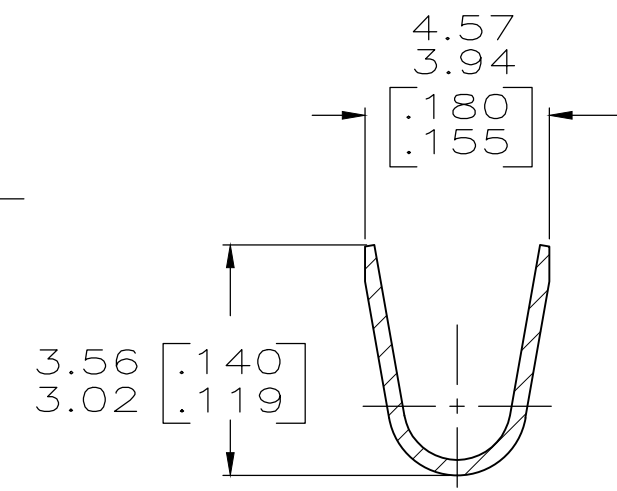


FITS 2.79 [.110] SERIES FASTON TAB, REFER TO CP-16000 FOR TAB DETAIL.

VIEW A-A



SECTION B-B



SECTION C-C

OBSOLETE

| | | | |
|----------------------------------|---------------|---------------------------|-------------|
| 1.52-2.54 DIA [.060-.100] DIA | [#22-#18] AWG | 0.81±0.025 [.032±.001] | 62942-1 |
| INSUL RANGE | WIRE SIZE | MATING TAB THICKNESS | PART NUMBER |

OBSOLETE

| | | | | | | | |
|---|--|-------------------------|--|-----------|-----------------|--------------------|-----------------|
| THIS DRAWING IS A CONTROLLED DOCUMENT. | | DWN JR RUTH 6/14/95 | TE Connectivity RECEPTACLE, FASTON, 2.79 [.110] SERIES | | | | |
| DIMENSIONS: mm [INCHES] | | CHK MS FEHER 6/14/95 | | | | | |
| TOLERANCES UNLESS OTHERWISE SPECIFIED: | | APVD P DESANTIS 6/14/95 | | | | | |
| 0 PLC ± - 1 PLC ± - 2 PLC ± - 3 PLC ± 0.38 [.015] 4 PLC ± - ANGLES ± - | | PRODUCT SPEC - | NAME | | | | |
| MATERIAL BRASS | | FINISH TIN | APPLICATION SPEC - | SIZE A3 | CAGE CODE 00779 | DRAWING NO C-62942 | RESTRICTED TO - |
| CUSTOMER DRAWING | | | WEIGHT - | SCALE 5:1 | SHEET 1 OF 1 | REV E1 | |