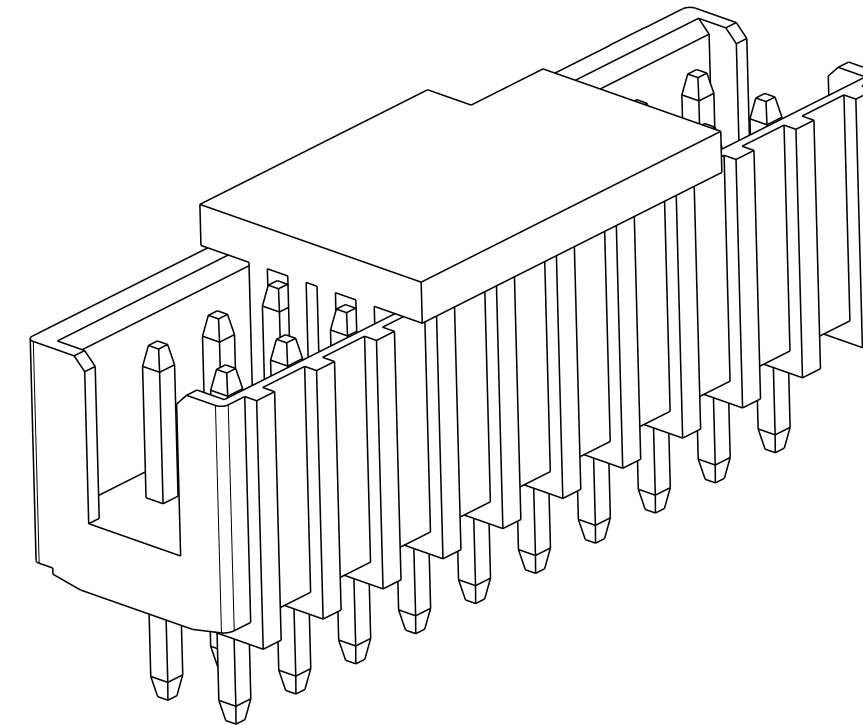
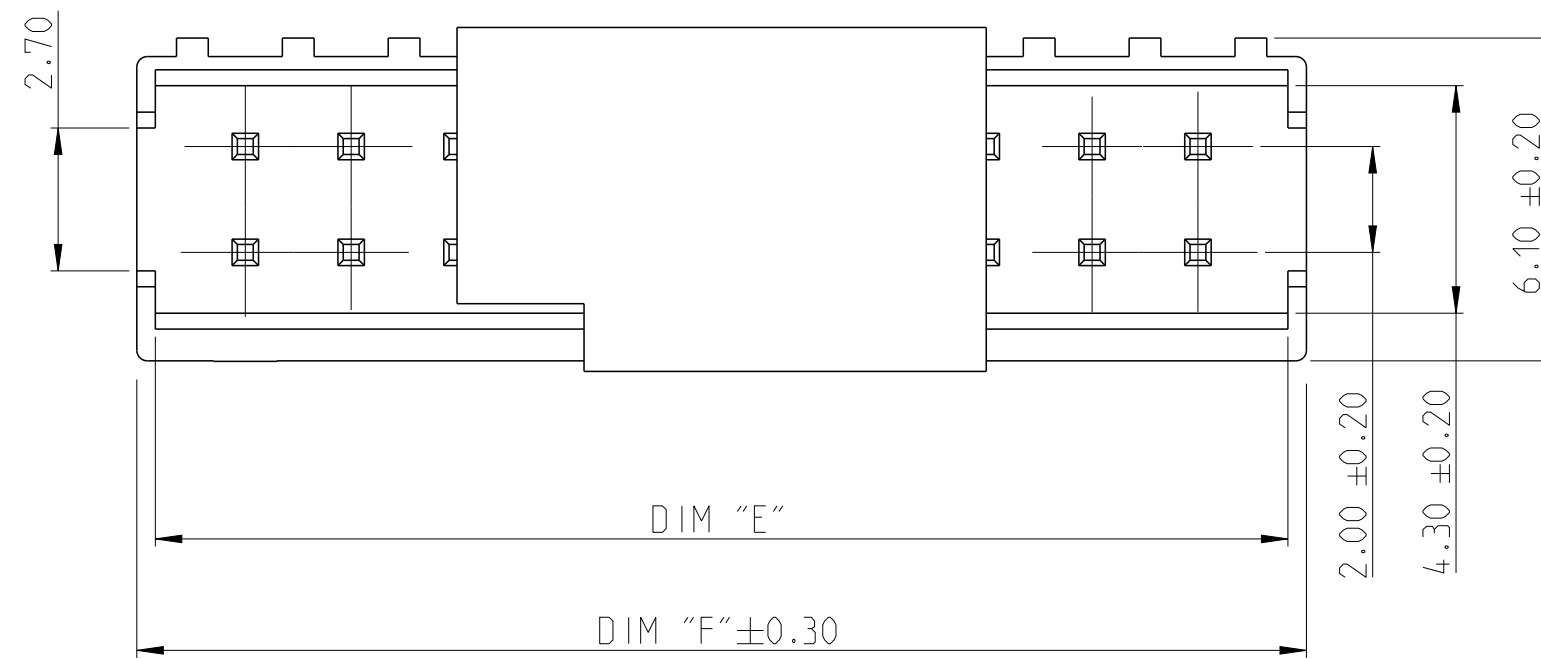
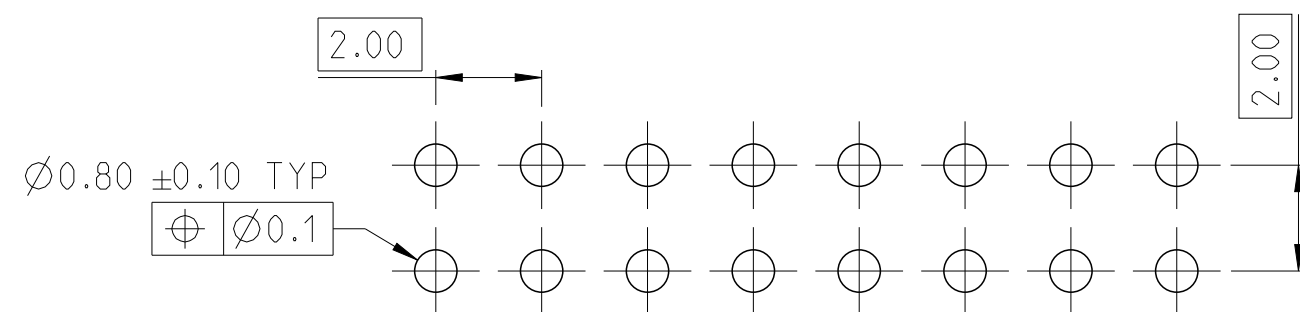


REVISIONS				
P	LTR	DESCRIPTION	DATE	APVD
A		RELEASE TO PRODUCTION	09DEC2019	AY PS
A1		REMOVE POSITION 4, 6 AND 8	04JUN2020	AY PS

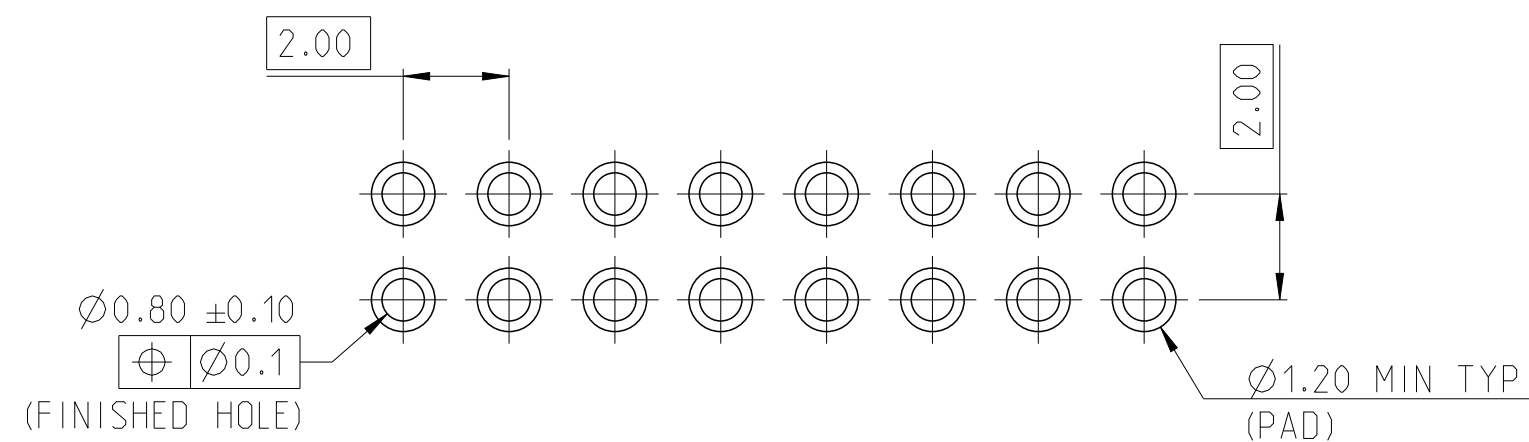
- NOTES:
- MATERIAL
HOUSING & P&P CAP : HIGH TEMPERATURE THERMOPLASTIC, UL94-V0; COLOR- BLACK
POST : COPPER ALLOY
FINISH : MIN. 2.0 μm TIN OVER NICKEL UNDER PLATING.
 - PACKAGING: TAPE AND REEL (WITH PICK AND PLACE CAP)
- △ TOLERANCE NOT CUMULATIVE.



52.10	51.40	50	5-2842289-0
50.10	49.40	48	4-2842289-8
48.10	47.40	46	4-2842289-6
46.10	45.40	44	4-2842289-4
44.10	43.40	42	4-2842289-2
42.10	41.40	40	4-2842289-0
40.10	39.40	38	3-2842289-8
38.10	37.40	36	3-2842289-6
36.10	35.40	34	3-2842289-4
34.10	33.40	32	3-2842289-2
32.10	31.40	30	3-2842289-0
30.10	29.40	28	2-2842289-8
28.10	27.40	26	2-2842289-6
26.10	25.40	24	2-2842289-4
24.10	23.40	22	2-2842289-2
22.10	21.40	20	2-2842289-0
20.10	19.40	18	1-2842289-8
18.10	17.40	16	1-2842289-6
16.10	15.40	14	1-2842289-4
14.10	13.40	12	1-2842289-2
12.10	11.40	10	1-2842289-0
DIM "F"	DIM "E"	POS.	TE PN.



RECOMMENDED PCB HOLE PATTERN FOR THROUGH HOLE WAVE



RECOMMENDED PCB HOLE PATTERN FOR THROUGH HOLE REFLOW/PIN-IN-PASTE

2-2842289-0 AS SHOWN

PICK AND PLACE CAP	3
CONTACT PIN	2
HOUSING	1
DESCRIPTION	ITEM NO.

THIS DRAWING IS A CONTROLLED DOCUMENT.

DIMENSIONS: mm	TOLERANCES UNLESS OTHERWISE SPECIFIED:
0 PLC ±	1 PLC ±
2 PLC ±0.25	3 PLC ±
4 PLC ±	ANGLES ±2°
MATERIAL SEE NOTES	FINISH SEE NOTES

DWN ANKIT YADAV 11NOV2019	CHK KARTHIK JK 25NOV2019	APVD PRASHANTH S. 27NOV2019
PRODUCT SPEC	108-64040	APPLICATION SPEC
114-32259	WEIGHT	-
CUSTOMER DRAWING	SCALE 5:1	SHEET 1 OF 1

STE TE Connectivity	
NAME AMPMODU 2mm SHROUDED HEADER DUAL ROW, VERTICAL TH. SN, T/R, WITH PICK AND PLACE CAP	
SIZE A2	CAGE CODE 00779
DRAWING NO. C-2842289	RESTRICTED TO -
REV A1	