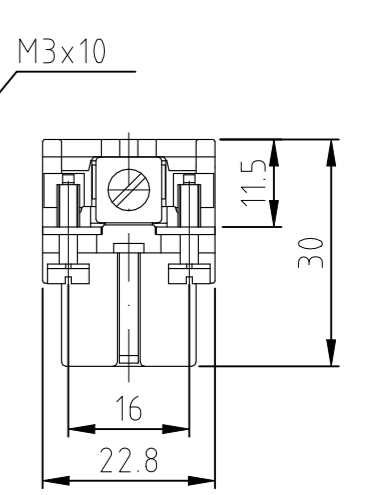
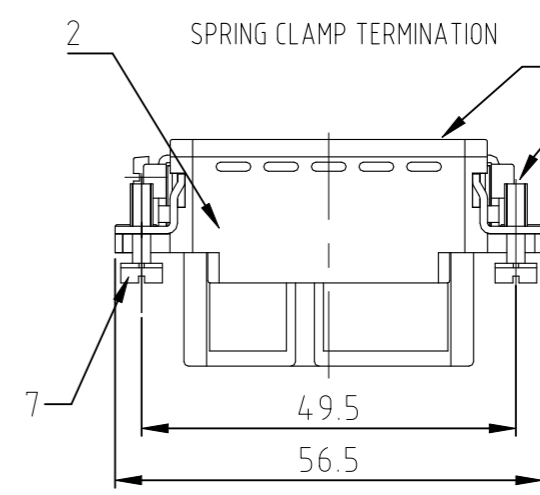
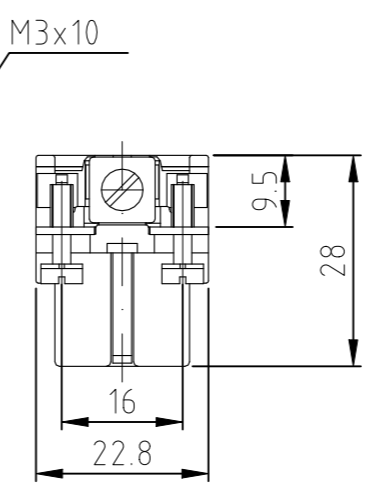
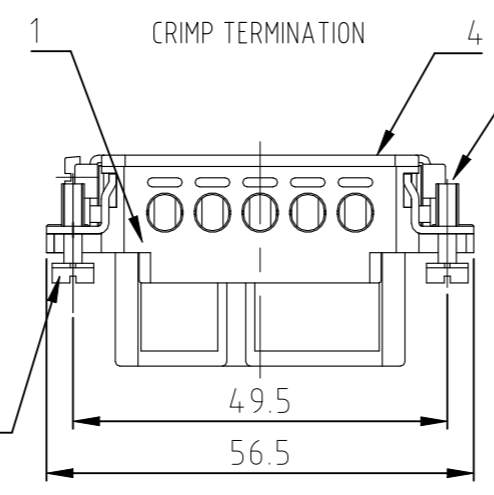
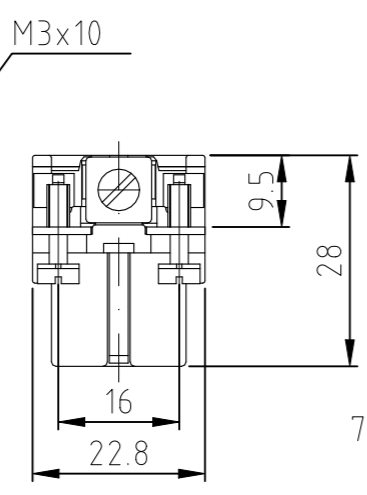
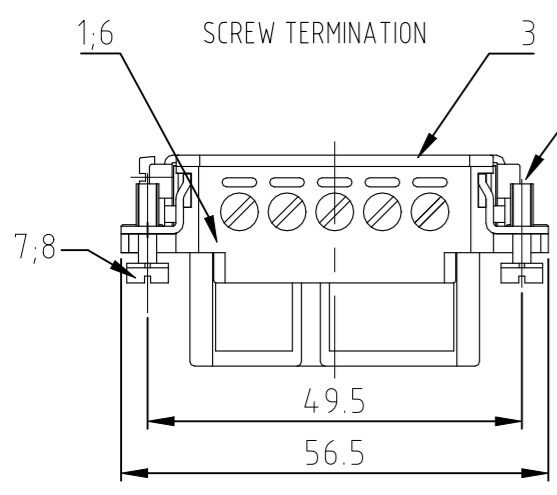


© VERTRAULICHE UNVERÖFFENTLICHTE ZEICHNUNG. All Rights Reserved.

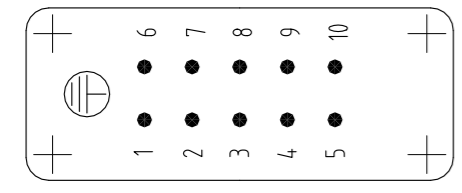
FREI FUER VEROEFFENTLICHUNG
ALLE RECHTE VORBEHALTEN

MATED WITH:
PASSEND ZU:
HA 10

REVISIONS ÄNDERUNGEN					
P	LTR	DESCRIPTION BESCHREIBUNG	DATE	DWN	APVD
	D5	REVISED PER ECR-21-123577	08JUL2022	RK	JB

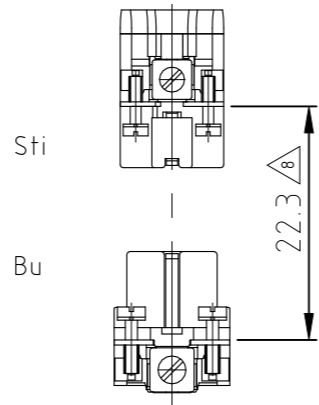


Contact arrangement / view from termination side

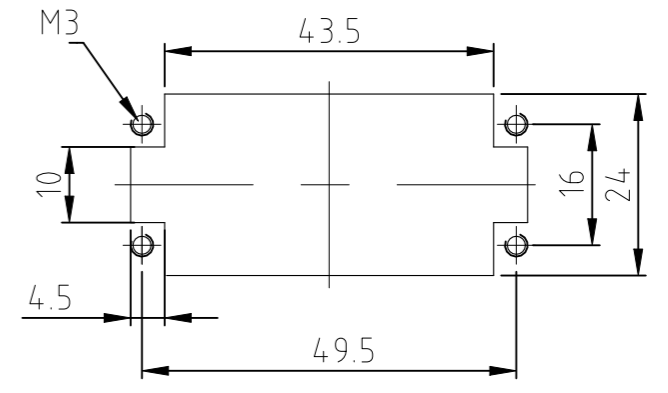


Assembling instruction

DISTANCE FOR SAFETY CONTACT MARKING MAX. 24 mm



Panel cut-out for contact insert when used without housing



- NOTES
- SUITABLE CRIMP CONTACTS: SERIES HE/HA
OUTER DIMENSIONS OF INSULATION: MAX. Ø3,2 MM
 - SUITABLE HOOD SIZE 2: SERIES HA; HD
SUITABLE INSERTION AND EXTRACTION TOOL:
SCREWDRIVER 0,5x3 DIN 5264
 - Strip length: Screw conection 10mm
Spring clamp conection 10mm Crimp conection 7.5mm
 - STANDARDS:
DIN EN 61984; DIN EN 60664-1
- PACKAGING
10 SETS IN A CARTON, PRE-MOUNTED
 - SPECIAL PACKAGING
200 PIECES IN A KANN-BAN BOT
 - SPECIAL PACKAGING
100 PIECES IN A KANN-BAN BOT

OBSOLETE	OBSOLETE	OBSOLETE	OBSOLETE	OBSOLETE	OBSOLETE	OBSOLETE	OBSOLETE	OBSOLETE	OBSOLETE		DESCRIPTION / BENENNUNG	MATERIAL	Surface	COLOR / FARBE	ITEM NO. POS.	NOTES
					4					4	fixing screw	stainl. steel	blank/even		8	M3x10
	4									4	fixing screw	Stahl/steel	nickel plated	blue	7	M3x10
						1					socket insert screw	PBT		light beige	6	with AU contact
										1	cover spring strain clip	PBT		light beige	5	
										1	cover crimp	PBT		light beige	4	
										1	cover screw	PBT		light beige	3	
										1	socket insert spring strain clip	PBT		light beige	2	
										1	socket insert crimp&screw	PBT		light beige	1	

ORDERING TEXT / BESTELL TEXT	HA-10.Bu.S.WIE	HA-10.Bu.C-OBS	HA-10.Bu.S-KM	HA-10.Bu.S-OBS	HA-10.Bu.S-VA	HA-10.Bu.S-AU	HA-10.Bu.C-VA	HA-10.Bu.SC	HA-10.Bu.C	HA-10.Bu.S

THIS DRAWING IS A CONTROLLED DOCUMENT.
DIESE ZEICHNUNG IST EIN KONTROLLIERTES DOKUMENT.

DIMENSIONS: MASSE/NHEITEN: mm

TOLERANCES UNLESS OTHERWISE SPECIFIED: ALLGEMEINTOLERANZEN

0 PLC ±
1 PLC ±
2 PLC ±
3 PLC ±
4 PLC ±
ANGLES / WINKEL ±

FINISH/OBERFLAECHE/FARBE

DWN Schneider 08.02.2000
CHK Schweiger 08.02.2000
APVD - NAME

PRODUCT SPEC 108-74007
APPLICATION SPEC 114-74009

WEIGHT -

CUSTOMER DRAWING/KUNDENZEICHNUNG

SCALE MASSTAB 1:1
SHEET BLATT 1 von 1
REV D5

STE TE Connectivity
Socket insert
Buchseneinsatz HA.10.Bu

SIZE A3 CAGE CODE 00779 DRAWING NO. ZEICHNUNGS-NR. C-1103415 RESTRICTED TO NUR FUER