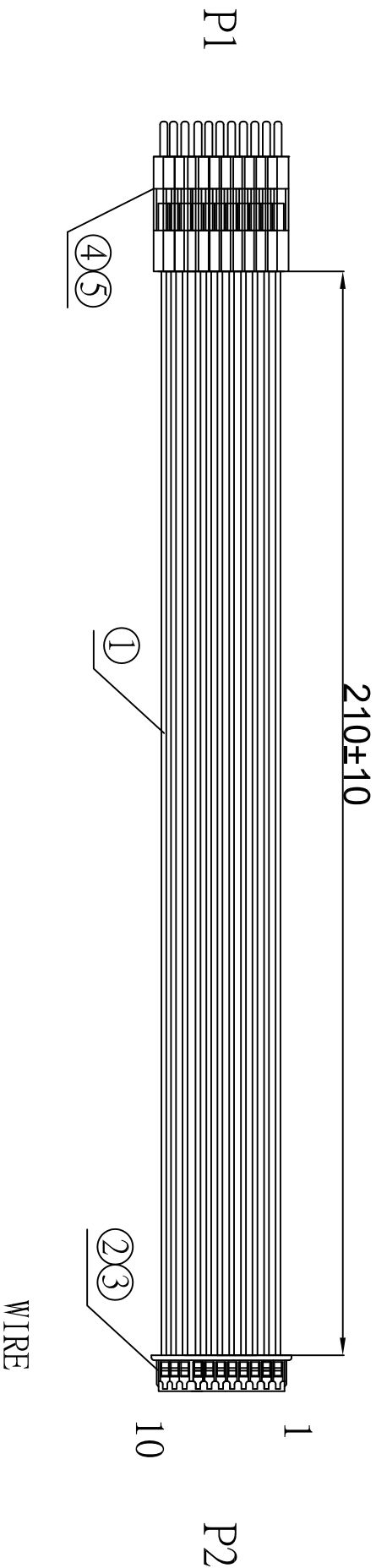


REV	ECRN	DATE
1	NEW PRODUCTION	20180426



P1	P2
DUPONT TERMINAL	Yellow
DUPONT TERMINAL	Brown
DUPONT TERMINAL	Purple
DUPONT TERMINAL	Blue
DUPONT TERMINAL	Green
DUPONT TERMINAL	Orange
DUPONT TERMINAL	Gray
DUPONT TERMINAL	Red
DUPONT TERMINAL	WHITE
DUPONT TERMINAL	Black
10	10

- NOTES:
1. ELECTRICAL TEST: 100% OPEN, SHORTCIRCUIT WIRE TEST.
 2. CONTACT RESISTANCE: 5 ohm,
 3. INSULATOR RESISTANCE: 5M ohm.
 4. HIGH VOLTAGE: DC 300V 0.01sec.
 5. MUST BE ROHS COMPLIANT.

NO.	PART NO	ITEM	DESCRIPTION	QTY UNIT	PCS
⑤		HOUSING	DUPONT 2.54-H01 BLACK	10	PCS
④		TERMINAL	DUPONT 2.54 M GOLD PLATED TERMINAL	10	PCS
③	D.500588-1100R	TERMINAL	MOLEX 50058-8000 PH1.25MM MALE TERMINAL	10	PCS
②	E.051021-1000R	HOUSING	MOLEX-51021-1000 PH1.25MM 1*10PIN HOUSING: WHITE	1	PCS
①		CABLE	UL1571 28AWG (7/0.12TC) jacket Yellow, Brown, Purple, Blue, Green, Orange, Gray, Red, WHITE, Black L=220MM	10	PCS

ROHS COMPLIANT

DRAWN BY 袁小政 20180426

CHECKED BY
APPROVED BY

东莞市朋联电子科技有限公司

DongGuan Peng Lian Electronic Technology Co., Ltd
TEL: 076938835093/38835094 FAX: 076938835091

比例: FREE
单位: mm
TITLE: DUPONT 2.54-H01 TO MOLEX 1.25MM 10P
SUPPLIER'S ITEM: 9.000WH00092.000R

CUSTOMER: SPARK FUN
CUSTOMER'S ITEM:

DRAWING NO. WH-00092-00 DATE 2018-04-26