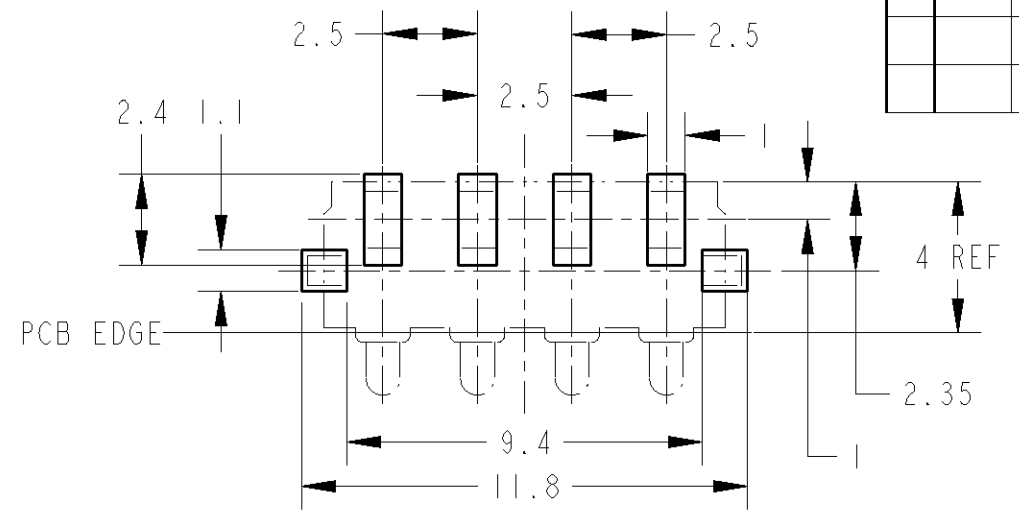
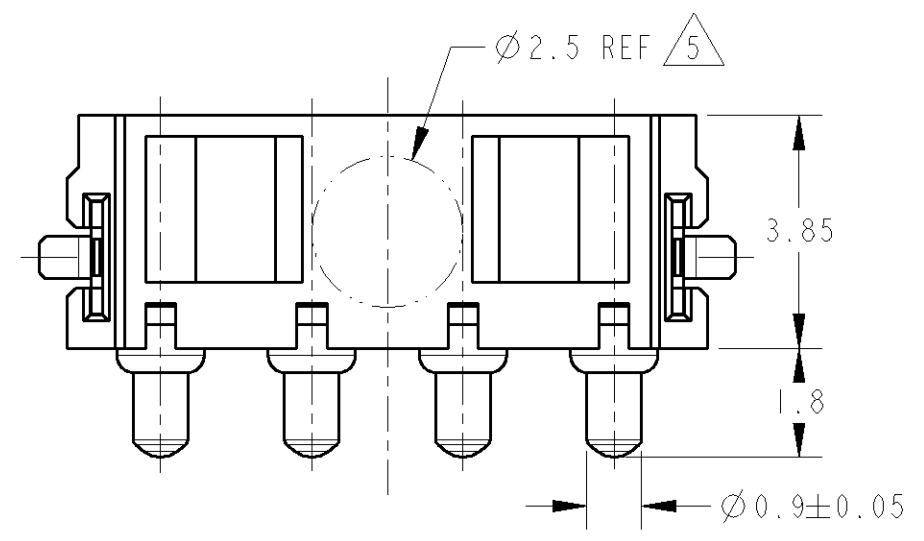
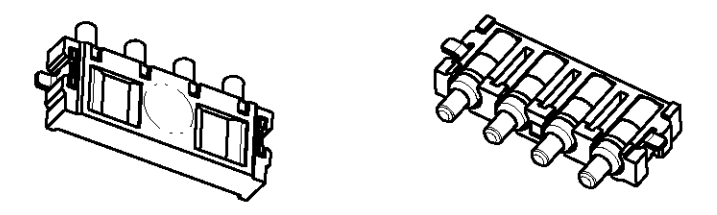


THIS DRAWING IS UNPUBLISHED. RELEASED FOR PUBLICATION 2008
 © COPYRIGHT 20080403 BY TYCO ELECTRONICS CORPORATION. ALL RIGHTS RESERVED.

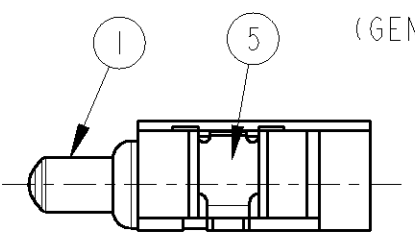
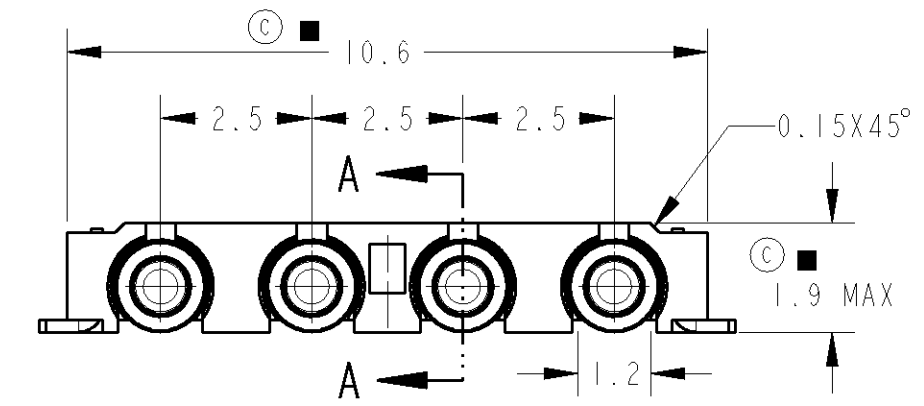
LOC	DIST	REVISIONS					
J		P	LTR	DESCRIPTION	DATE	DWN	APVD
			C	REVISED	230CT2008	M.O	Y.N



2040786-1; AS SHOWN

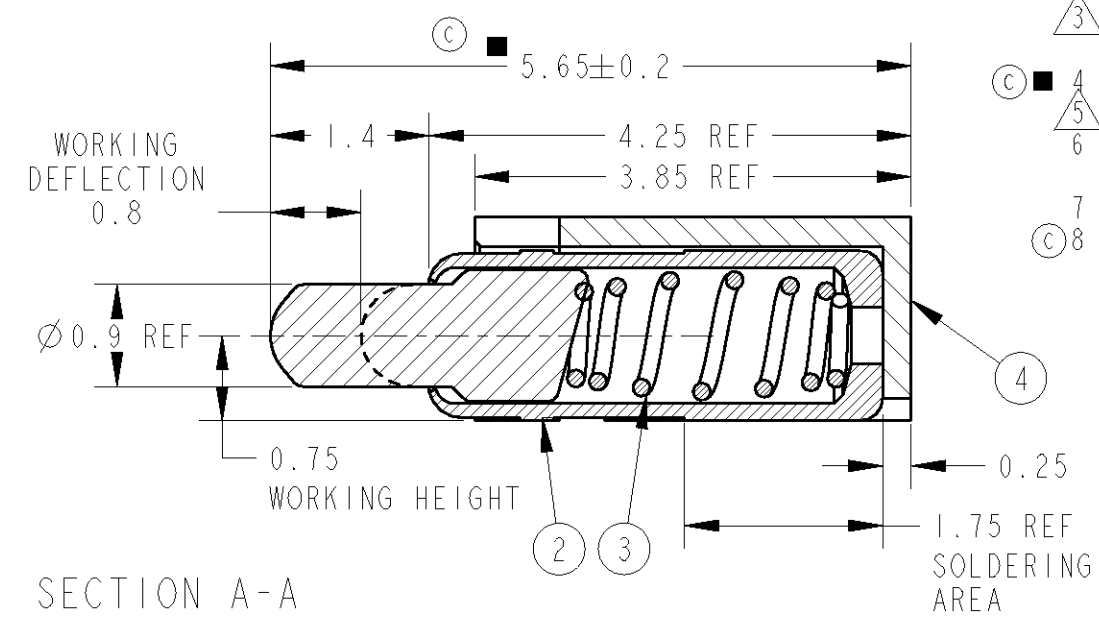
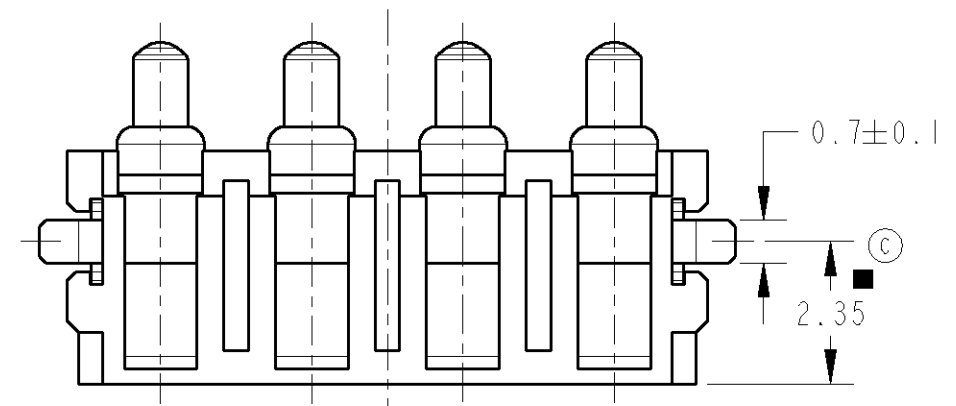


TOP VIEW SCALE 3:1 BOTTOM VIEW SCALE 3:1



REFERENCE PC BOARD LAYOUT
 (GENERAL TOLERANCE: ±0.05) SCALE 5:1

- NOTE
- ① FINISH
 CONTACT UNDER PL: Ni 4.5+/-1.0µm
 CONTACT AREA PL: Au 1.2+/-0.1µm
 SOLDERING AREA PL: Au 0.05µm MIN
 - 2 FINISH OF SOLDER-PEG
 UNDER PL: Ni 1.3µm MIN
 SOLDERING AREA PL: Sn 2µm MIN
 - ③ PIN-TILT VALUE : NO DEFLECTION; ±0.15
 WORKING POSITION; ±0.1
 - ④ COPLANARITY: 0.10 MAX (ZERO BASED ON PCB SURFACE)
 - ⑤ PICKING AREA
 - 6 CONTACT FORCE IS 1.2N±0.2N AT 0.8mm STROKE,
 ALL POSITION
 - 7 PACKING QTY: 2000EA PER REEL
 - ⑧ ■ ; CRITICAL DIMENSION WHICH AFFECTS FORM FIT AND FUNCTION.



SECTION A-A
 SCALE 15:1

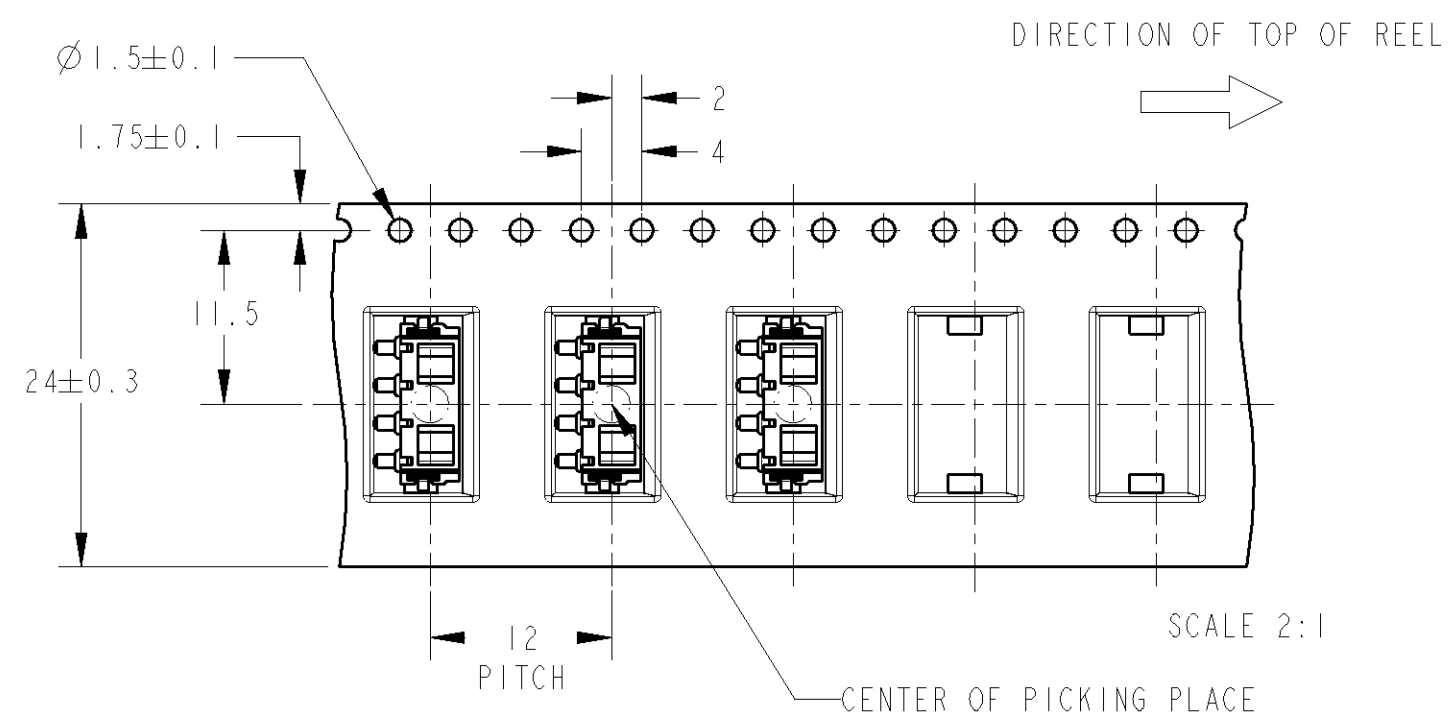
2	SOLDER PEG	⑤
1	HOUSING	④
5	SPRING	③
5	TUBE	②
5	CONTACT	①
QTY	DESCRIPTION	ITEM NO.

NOTICE: THIS DRAWING INCLUDES TYCO ELECTRONICS CONFIDENTIAL OR PROPRIETARY INFORMATION THAT MAY ALSO BE LEGALLY PRIVILEGED.
 注意: 本図は、タイコエレクトロニクス社の機密情報・機密情報が含まれており、この機密情報・機密情報は、法律上機密特権の対象にもなりうるものです。

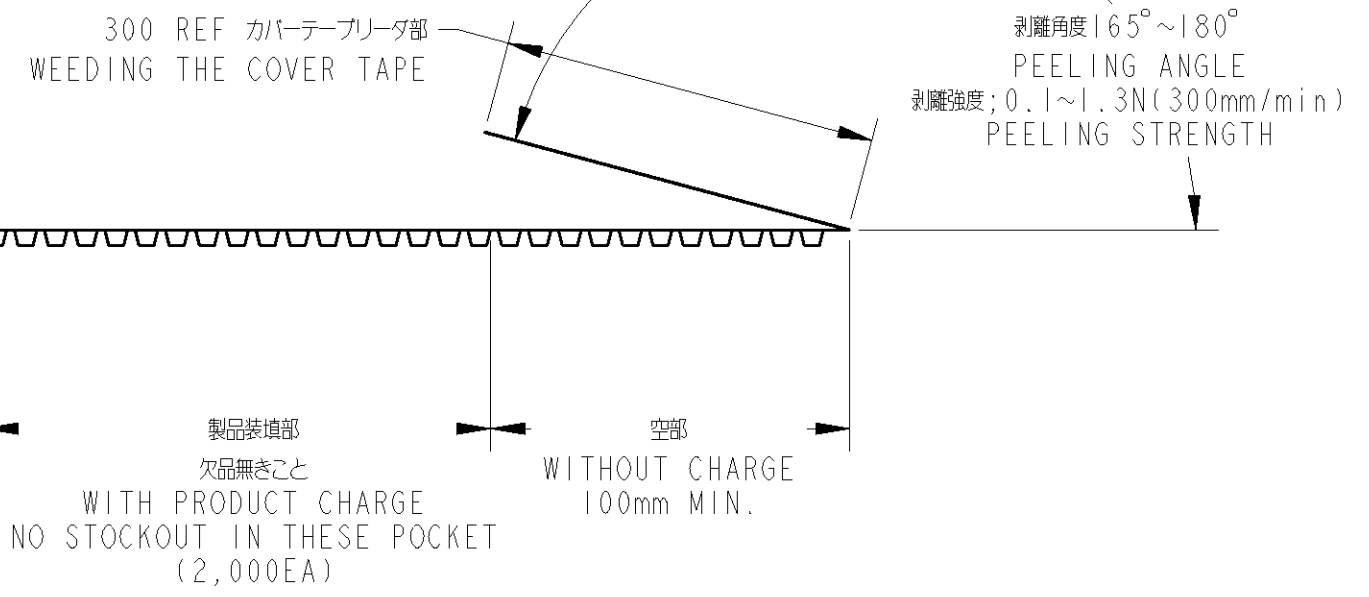
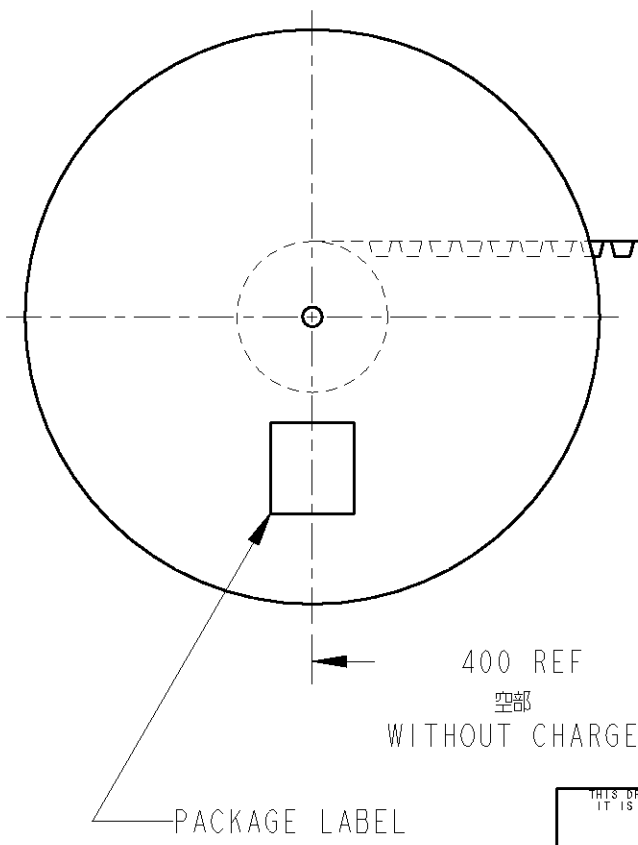
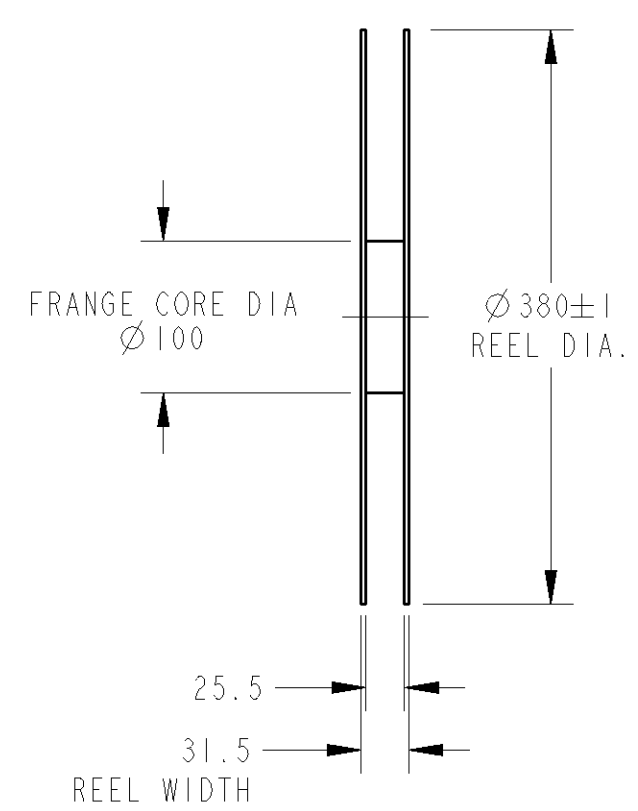
THIS DRAWING IS A CONTROLLED DOCUMENT FOR TYCO ELECTRONICS CORPORATION IT IS SUBJECT TO CHANGE AND THE CONTROLLING ENGINEERING ORGANIZATION SHOULD BE CONTACTED FOR THE LATEST REVISION.		DWN R.TANAKA 03APR2008 CHK C.OHASHI 03APR2008 APVD Y.NAKAZAWA 03APR2008		Tyco Electronics Corporation Kawasaki, Japan	
DIMENSIONS: 単位: 概 mm		TOLERANCES UNLESS OTHERWISE SPECIFIED: 一般公差 ±0.25 0-PLC ± 1-PLC ± 2-PLC ± 3-PLC ± 4-PLC ± ANGLES ±3		NAME 名称 SPRING PROBE CONNECTOR 4POS RIGHT ANGLE DIRECT MOUNTING TYPE	
MATERIAL 材料		FINISH 仕上		PRODUCT SPEC 製品規格 APPLICATION SPEC 取付適用規格	
		WEIGHT (計算値) 0.23g		SIZE A3 CAGE CODE 00779 DRAWING NO. 2040786 RESTRICTED TO	
CUSTOMER DRAWING				SCALE 5:1 SHEET 1 OF 2 REV C	

THIS DRAWING IS UNPUBLISHED. RELEASED FOR PUBLICATION 2008
 © COPYRIGHT 20080403 BY TYCO ELECTRONICS CORPORATION. ALL RIGHTS RESERVED.

LOC	DIST	REVISIONS					
		P	LTR	DESCRIPTION	DATE	DWN	APVD
J		-		SEE SHEET 1	-	-	-



2040786-1; AS SHOWN



製品装填部 欠品無きこと
 WITH PRODUCT CHARGE
 NO STOCKOUT IN THESE POCKET (2,000EA)
 空部 WITHOUT CHARGE 100mm MIN.

NOTICE: THIS DRAWING INCLUDES TYCO ELECTRONICS CONFIDENTIAL OR PROPRIETARY INFORMATION THAT MAY ALSO BE LEGALLY PRIVILEGED.
 注意: 本図は、タイコエレクトロニクス社の機密情報・機密情報を含まれており、この機密情報・機密情報は、法律上特許特権の対象にもなりうるものです。

THIS DRAWING IS A CONTROLLED DOCUMENT FOR TYCO ELECTRONICS CORPORATION IT IS SUBJECT TO CHANGE AND THE CONTROLLING ENGINEERING ORGANIZATION SHOULD BE CONTACTED FOR THE LATEST REVISION.		DWN R. TANAKA 03APR2008 CHK C. OHASHI 03APR2008 APVD Y. NAKAZAWA 03APR2008		Tyco Electronics Corporation Kawasaki, Japan	
DIMENSIONS: 単位: 概 mm 		TOLERANCES UNLESS OTHERWISE SPECIFIED: 一般公差 ± 0.3 0-PLC \pm 1-PLC \pm 2-PLC \pm 3-PLC \pm 4-PLC \pm ANGLES ± 3		NAME 名称 SPRING PROBE CONNECTOR 4POS RIGHT ANGLE DIRECT MOUNTING TYPE	
MATERIAL 材料		FINISH 仕上		PRODUCT SPEC 製品規格 APPLICATION SPEC 取付適用規格 WEIGHT	
CUSTOMER DRAWING		SIZE A3 CAGE CODE 00779 DRAWING NO. 2040786		RESTRICTED TO SCALE 尺度 6:1 SHEET 2 OF 2 REV C	