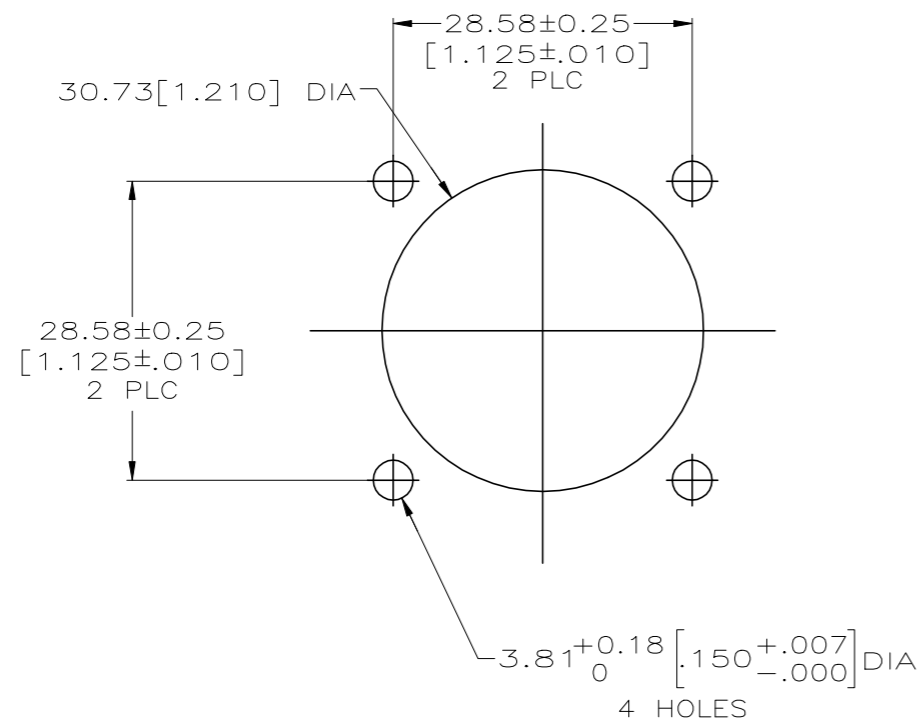
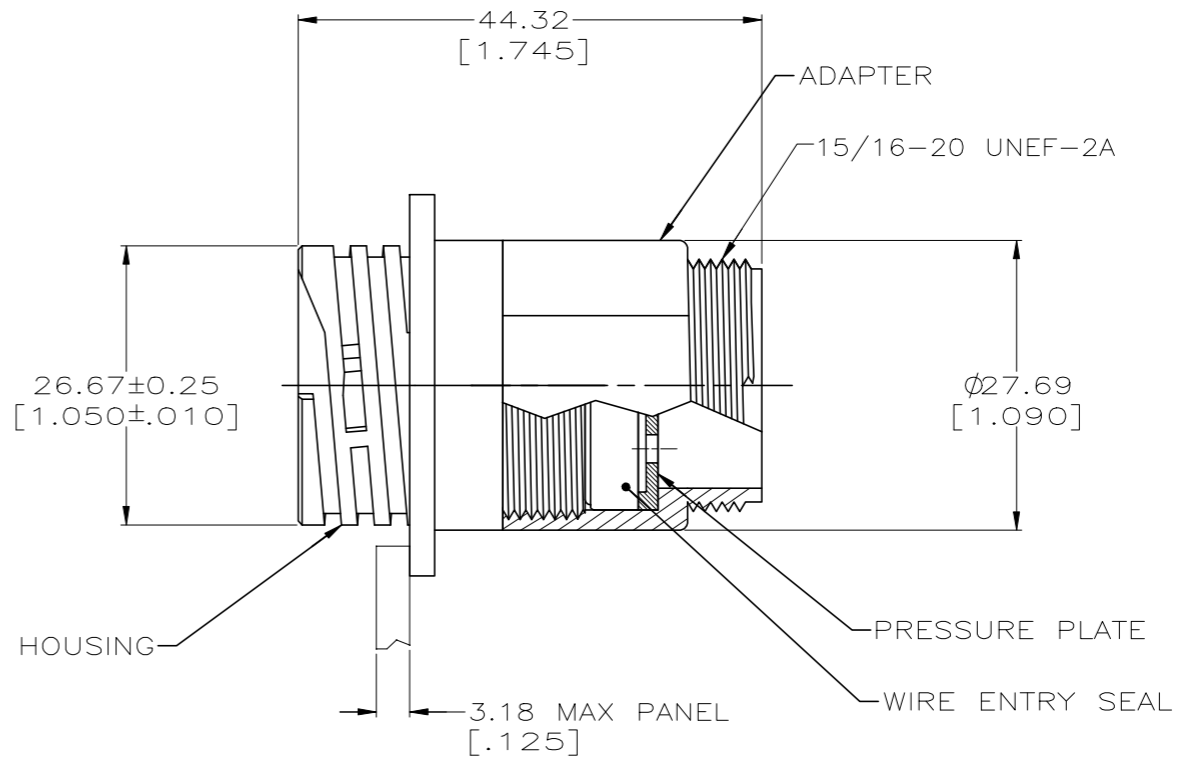
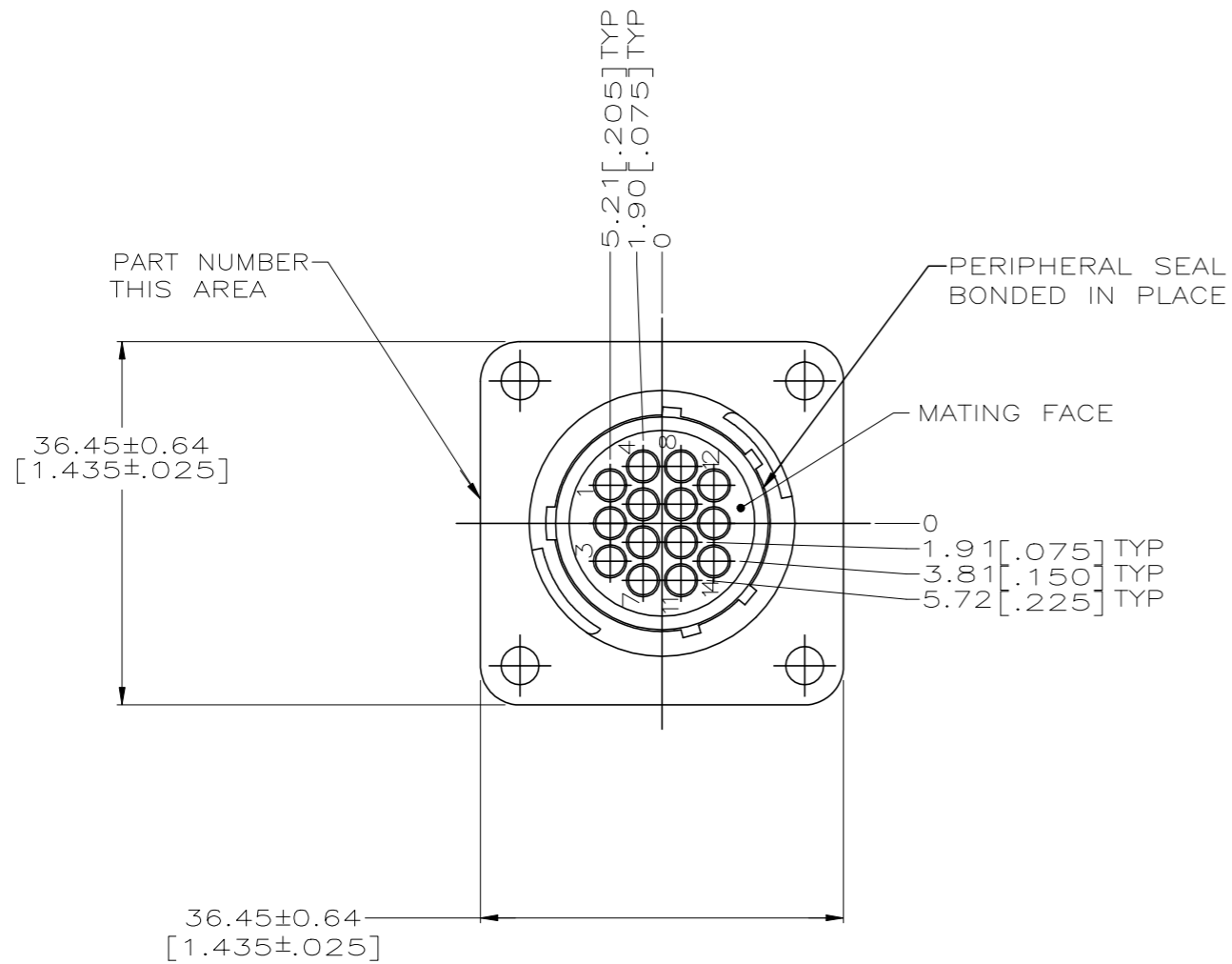


THIS DRAWING IS UNPUBLISHED. RELEASED FOR PUBLICATION
 © COPYRIGHT - By - ALL RIGHTS RESERVED.

REVISIONS				
P	LTR	DESCRIPTION	DATE	APVD
B1		REVISED PER ECO-11-005027	11MAR11	RK HMR
C		REVISED PER ECO-19-011232	06AUG2019	RS MZ

1 HOUSING, ADAPTER AND PRESSURE PLATE: NYLON, BLACK.
 WIRE ENTRY SEAL: ELASTOMER, RED-IRON OXIDE.
 PERIPHERAL SEAL: ELASTOMER, BLACK.

2. CONNECTOR WILL ACCEPT (14) MULTIMATE SOCKET CONTACTS.



RECOMMENDED PANEL CUTOUT

796272-1
 PART NUMBER

THIS DRAWING IS A CONTROLLED DOCUMENT.		DWN L. McEACHIN 27-JAN-2000	STE TE Connectivity
DIMENSIONS: mm [INCHES]		CHK K. DOWHOWER 27-JAN-2000	
TOLERANCES UNLESS OTHERWISE SPECIFIED:		APVD K. DOWHOWER 27-JAN-2000	NAME ASSEMBLY, RECEPTACLE, REVERSE SEX 17-14, SQUARE FLANGE, SEALED
0 PLC ± -	1 PLC ± -	PRODUCT SPEC -	APPLICATION SPEC -
2 PLC ± -	3 PLC ± -	ANGLE ± -	FINISH -
MATERIAL 1	FINISH -	WEIGHT -	RESTRICTED TO -
CUSTOMER DRAWING		SCALE 2:1	SHEET 1 of 1 REV C