

SPECIFICATION CONTROL DRAWING

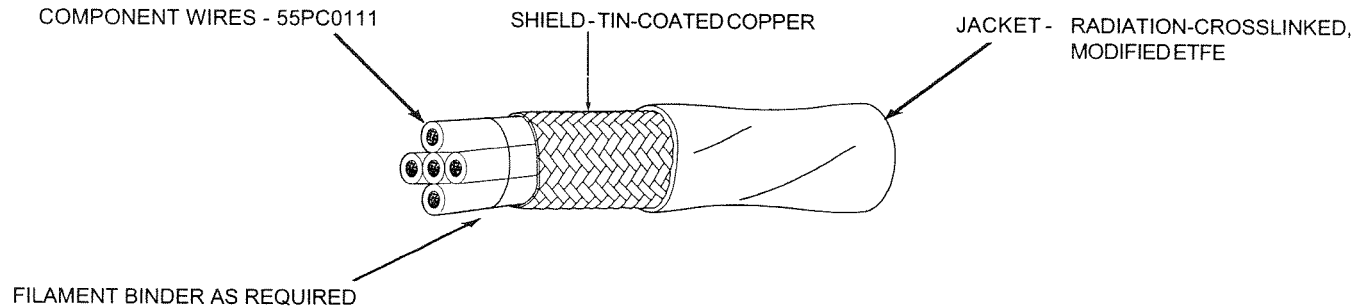
55PC2151

TITLE FIVE CONDUCTOR CABLE, FLAT BRAID SHIELDED, JACKETED, 600 VOLT

Date 06-19-00

Revision A

This specification sheet forms a part of the latest issue of Raychem Specification 55PC.



CONSTRUCTION DETAILS

PART NUMBER	CONDUCTOR SIZE (AWG)	SHIELD STRAND THICKNESS (± .0004)	JACKET THICKNESS (in.)		DIAMETER (in.)			WEIGHT (lbs/1000 ft.)	
			LOWER SPEC LIMIT	TARGET WALL	LOWER SPEC LIMIT	TARGET VALUE	UPPER SPEC LIMIT	TARGET VALUE	UPPER SPEC LIMIT
55PC2151-26-*	26	a.0015	.0065	.0085	.100	.111	.121	10.54	11.25
55PC2151-24-*	24	.0015	.0070	.0090	.109	.123	.137	14.25	15.10
55PC2151-22-*	22	.0015	.0070	.0090	.125	.140	.155	19.52	20.45
55PC2151-20-*	20	.0015	.0075	.0095	.147	.164	.181	28.00	29.17
55PC2151-18-*	18	.0015	.0075	.0095	.172	.191	.209	40.27	41.77
55PC2151-16-*	16	.0015	.0080	.0100	.192	.213	.233	50.38	52.12

CABLE RATINGS AND ADDITIONAL REQUIREMENTS

TEMPERATURE RATING: 150°C
 Maximum continuous conductor temperature
 VOLTAGE RATING: 600 volts (rms)
 CROSSLINK VERIFICATION: 300 ± 3°C for 1 hour
 DIELECTRIC WITHSTAND: 1500 volts (rms), 60 Hz
 JACKET COLOR: White preferred
 JACKET ELONGATION AND TENSILE STRENGTH:
 Elongation, 50% (minimum)
 Tensile Strength, 5000 lbf/in² (minimum)
 JACKET FLAWS:
 Spark Test, 1000 volts (rms), 100% test
 Impulse Dielectric Test, 6.0 kV (peak), 100% test

SHIELD COVERAGE: 85% (minimum)
 VOLTAGE WITHSTAND TEST (POST ENVIRONMENTAL):
 1000 volts (rms), 60 Hz, 1 minute

PART NUMBER:
 The "*" in the part numbers above shall be replaced by color code designators with a slash separating the component wire colors and a dash separating the component wire colors from the jacket color.
 Example: AWG 22, red, blue, yellow, green and black component wires; white jacket:
 55PC2151-22-2/6/4/5/0-9

COLOR AND COLOR CODE DESIGNATORS SHALL BE IN ACCORDANCE WITH MIL-STD-681.