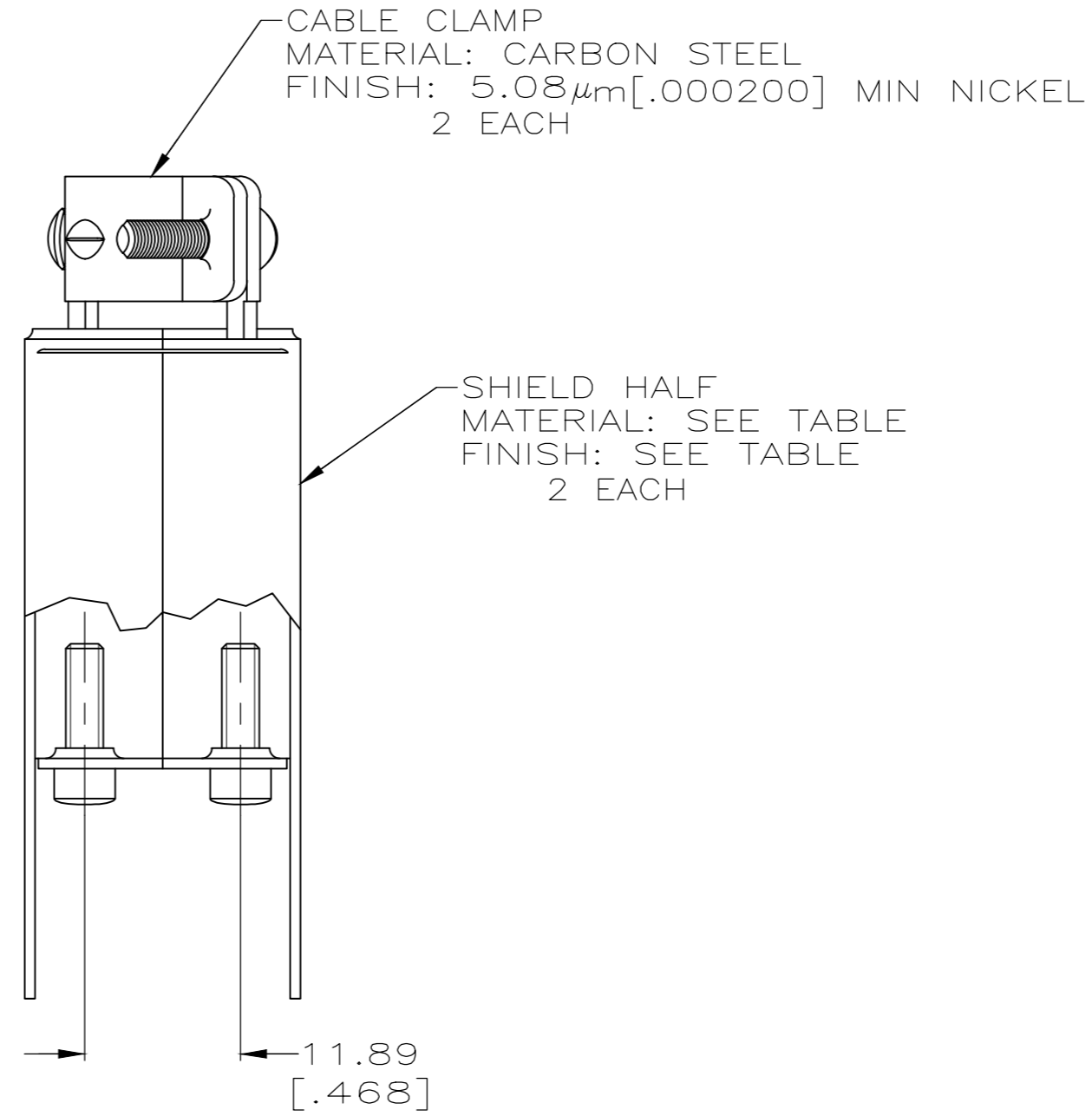
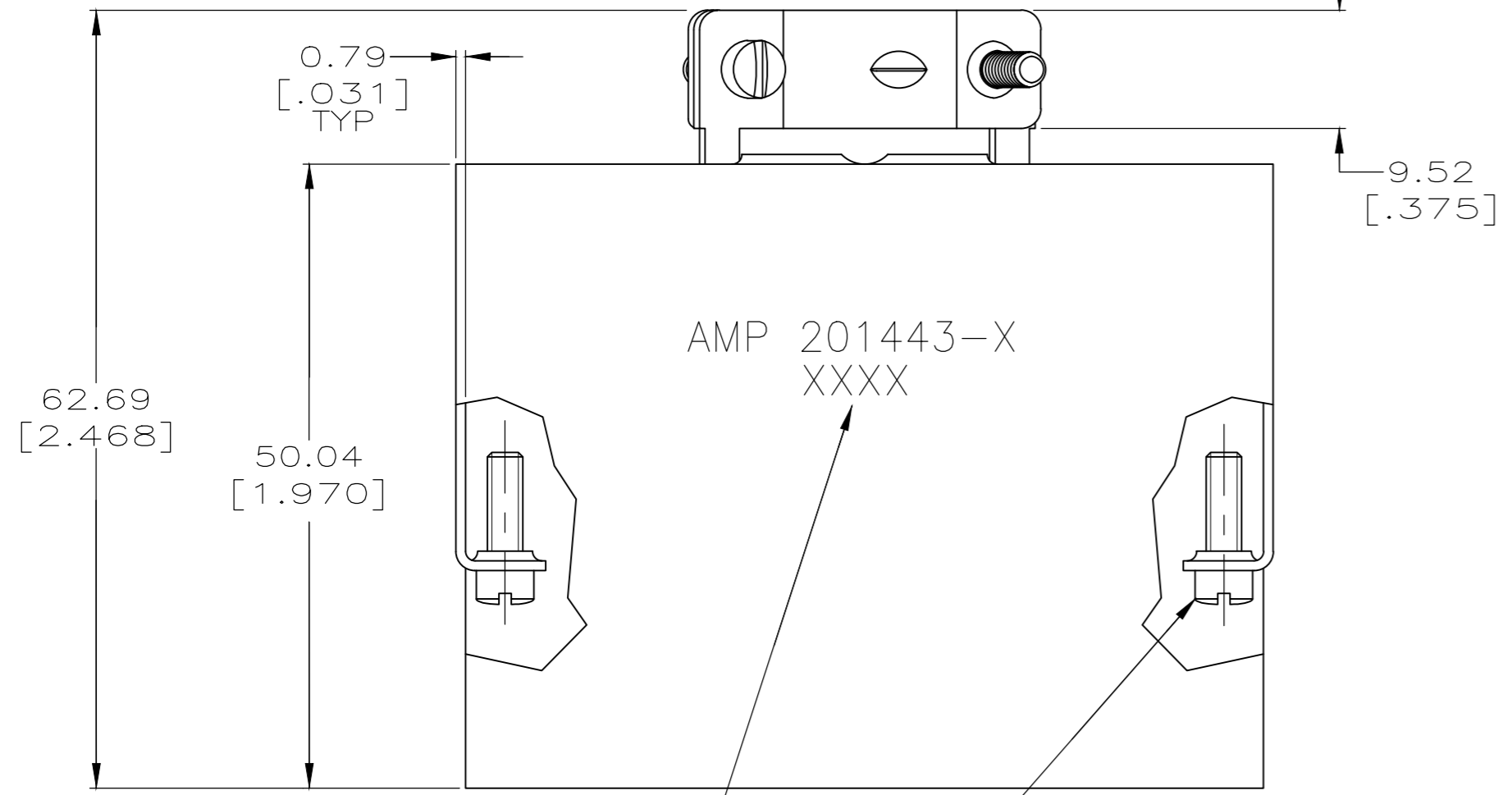
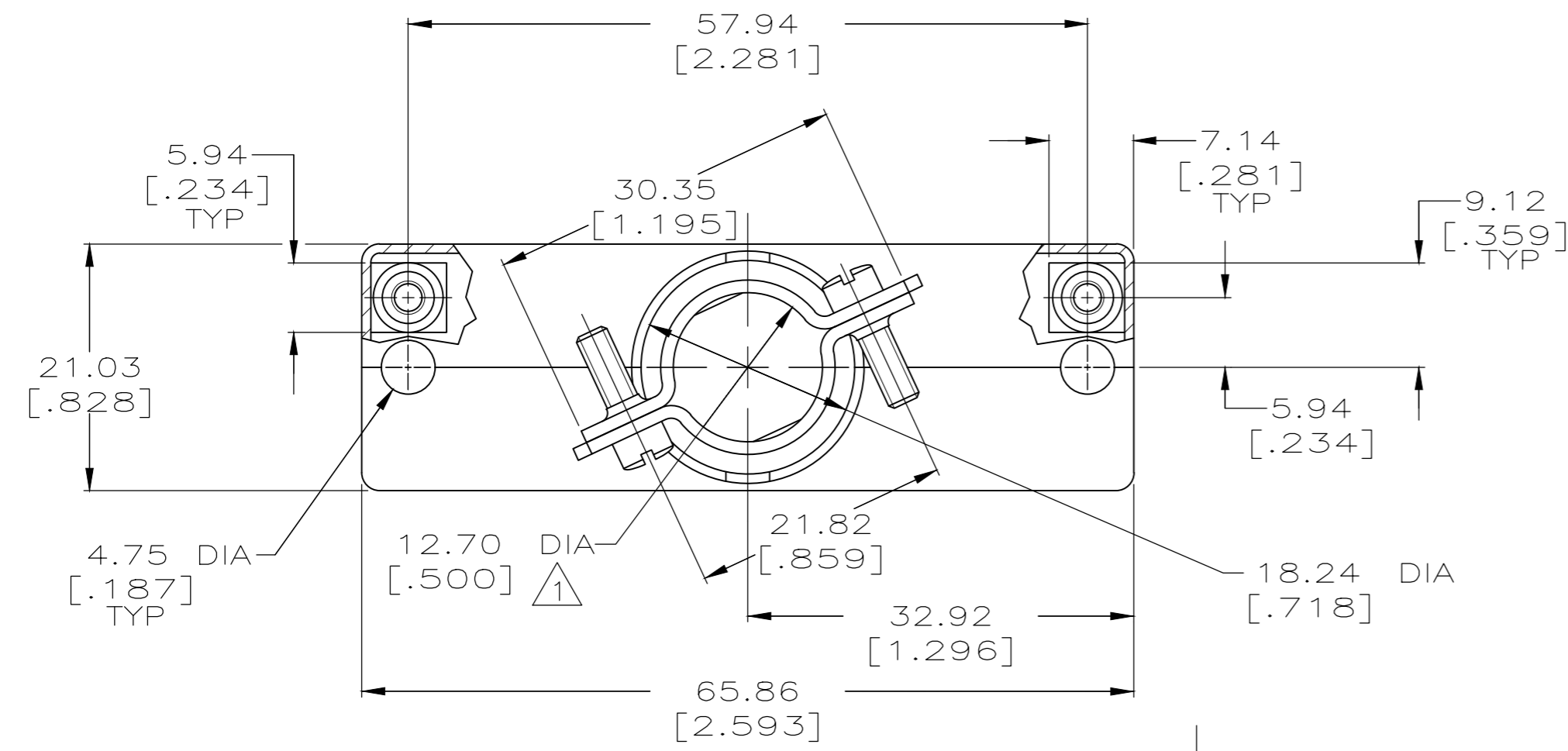


THIS DRAWING IS UNPUBLISHED. RELEASED FOR PUBLICATION
 © COPYRIGHT - TE Connectivity Ltd. ALL RIGHTS RESERVED.

REVISIONS				
P	LTR	DESCRIPTION	DATE	APVD
P		REVISED PER ECO-18-007239	18MAY2018	KH MZ



AMP, PART NUMBER AND DATE CODE, BLACK INK STAMPED OR LASER MARKED IN THIS AREA
 #4-40 UNC-2A SCREW MATERIAL: CARBON STEEL FINISH: ZINC PLATED 6 EACH
 1 CLAMP AREA ACCEPTS 50 WIRES OF 1.65 [.065] MAX OUTSIDE DIAMETER.

5.08µm [.000200] MIN NICKEL	CARBON STEEL	201443-2
CLEAR ANODIZED	ALUMINUM ALLOY	201443-1
FINISH	MATERIAL	PART NO
SHIELD HALF		

THIS DRAWING IS A CONTROLLED DOCUMENT.		DWN	K.FOLTZ	10/26/94	TE Connectivity Ltd.
DIMENSIONS: mm [INCHES]		CHK	R.STONE	11/07/94	
TOLERANCES UNLESS OTHERWISE SPECIFIED:		APVD	T.COULSON	01/26/95	
0 PLC ± - 1 PLC ± - 2 PLC ± 0.38 [.015] 3 PLC ± - 4 PLC ± - ANGLES ± -		PRODUCT SPEC	NAME		
MATERIAL SEE CALLOUTS		FINISH	SEE CALLOUTS		SHIELD KIT, UNASSEMBLED, LONG 50 POSITION, M SERIES
WEIGHT		0	SIZE	A2	CAGE CODE
CUSTOMER DRAWING		SCALE	2:1	SHEET	1 of 1
REV		P	DRAWING NO		RESTRICTED TO
C=201443		00779		-	