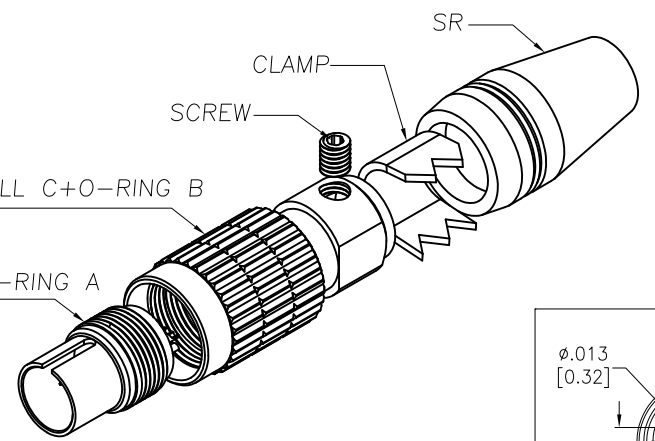
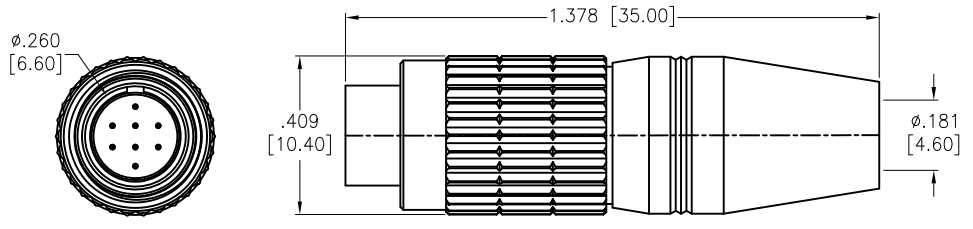
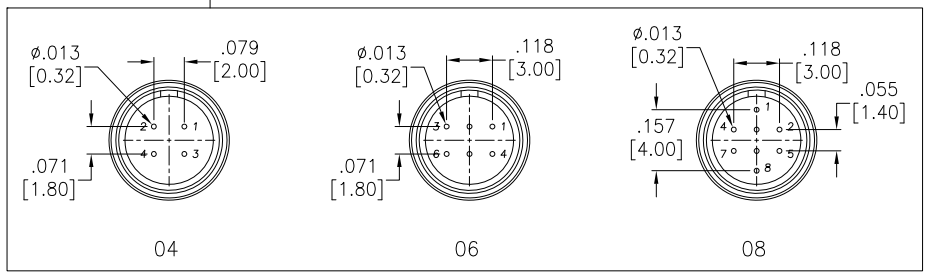


Rev	AWO #	Description	Date	Appr
-		RELEASED	11/23/18	

APPROVED: _____
 DATE: _____ TITLE: _____



SD-PNLXX-MMTAL-S00-000



SPECIFICATIONS:

Material:
 Housing: Nylon 46, rated UL 94V-0, Color: Black
 Contacts: Brass, 10u" min. Gold
 Shell A: Zinc Alloy, Nickel plated
 Shell B: Brass, Nickel plated
 Shell C: Brass, Nickel plated
 O-ring A: EPDM, Color: Black
 O-ring B: NBR, Color: Black
 Spring: Stainless
 Screw: Alloy Steel
 SR: TPR
 Environmental:
 Lead free, RoHS compliant



UNLESS OTHERWISE SPECIFIED ALL DIMENSIONS ARE INCHES [MM] TOLERANCES: EXCEPT AS NOTED		
INCHES HOLES		
.X ± .10	∅.X ± .10	
.XX ± .020	∅.XX ± .015	
.XXX ± .015	∅.XXX ± .010	
APPROVALS		DATE
DRAWN	HR	11/23/18
CHECKED	AC	11/23/18
APPROVED		

ADAM TECH INTERCONNECTS 909 Rahway Avenue,
 Union, NJ 07083
 Phone: 908-687-5000
 Fax: 908-687-5710

TITLE: WATERPROOF CONNECTOR, MALE M8 DIN, ASSEMBLY, SCREW TYPE, SOLDER			
SIZE X	PART NO. SD-PNLXX-MMTAL-S00-000	REV. -	
REF: S00200T	SCALE: NTS	SHEET 1 OF 1	

6

5

4

3

2

1

6

5

4

3

2

1

D

D

C

C

B

B

A

A