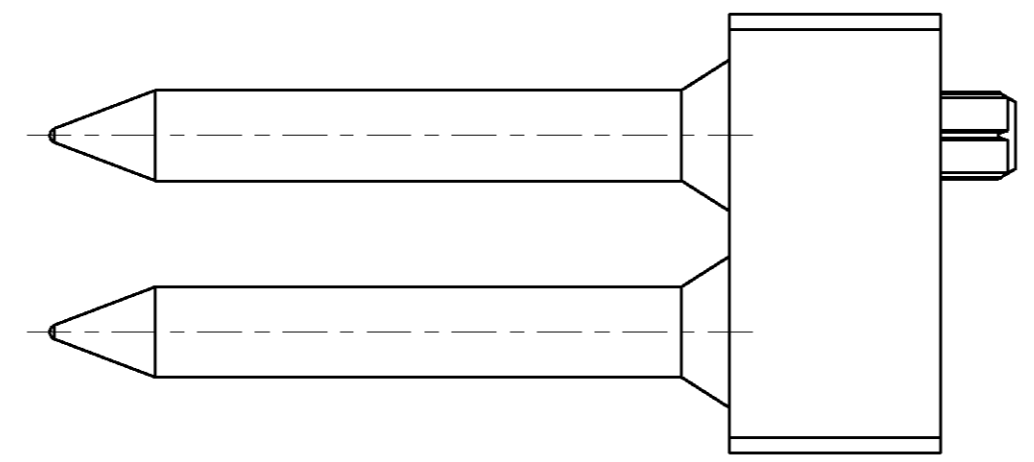
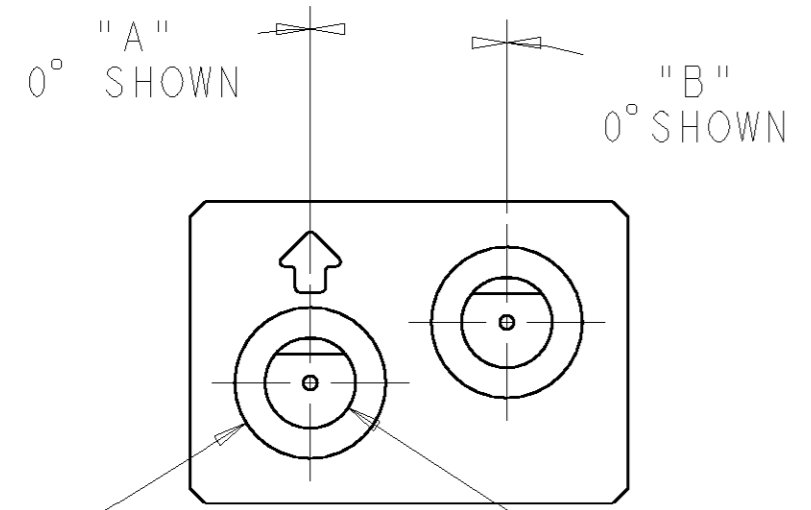
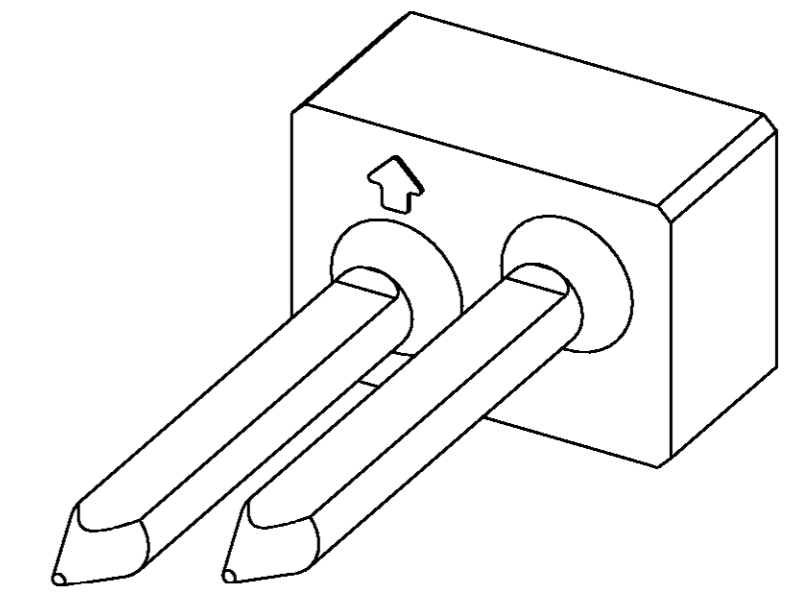
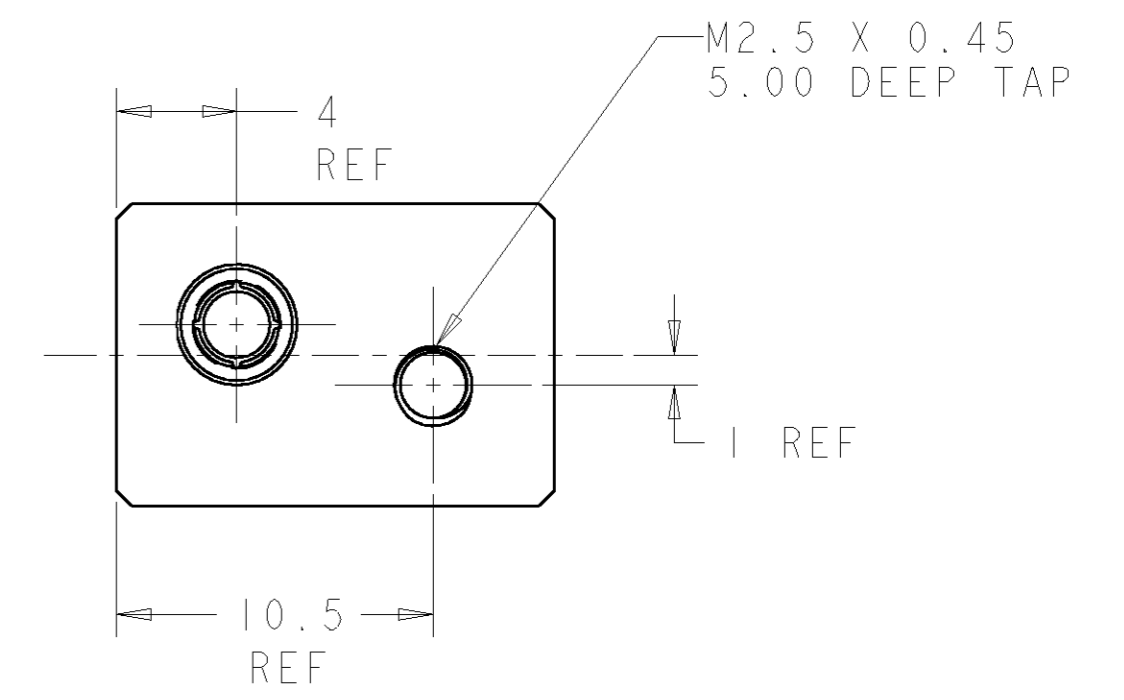
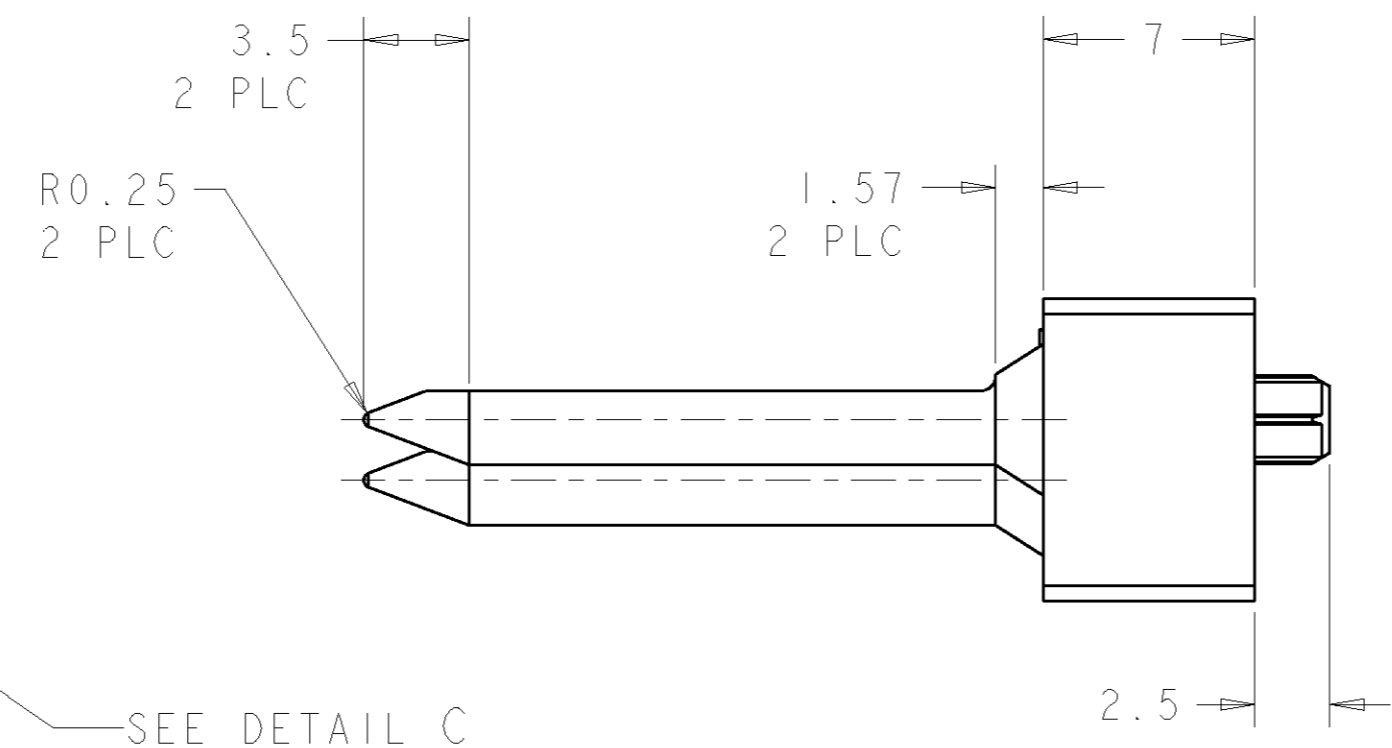
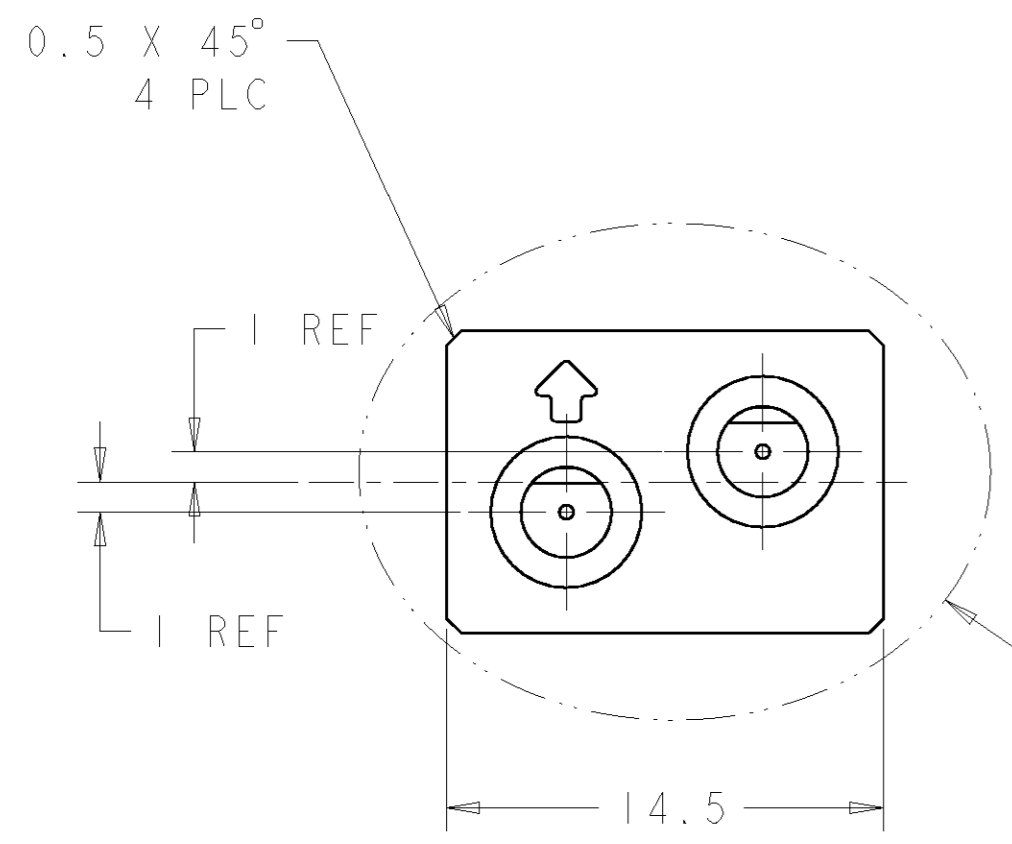
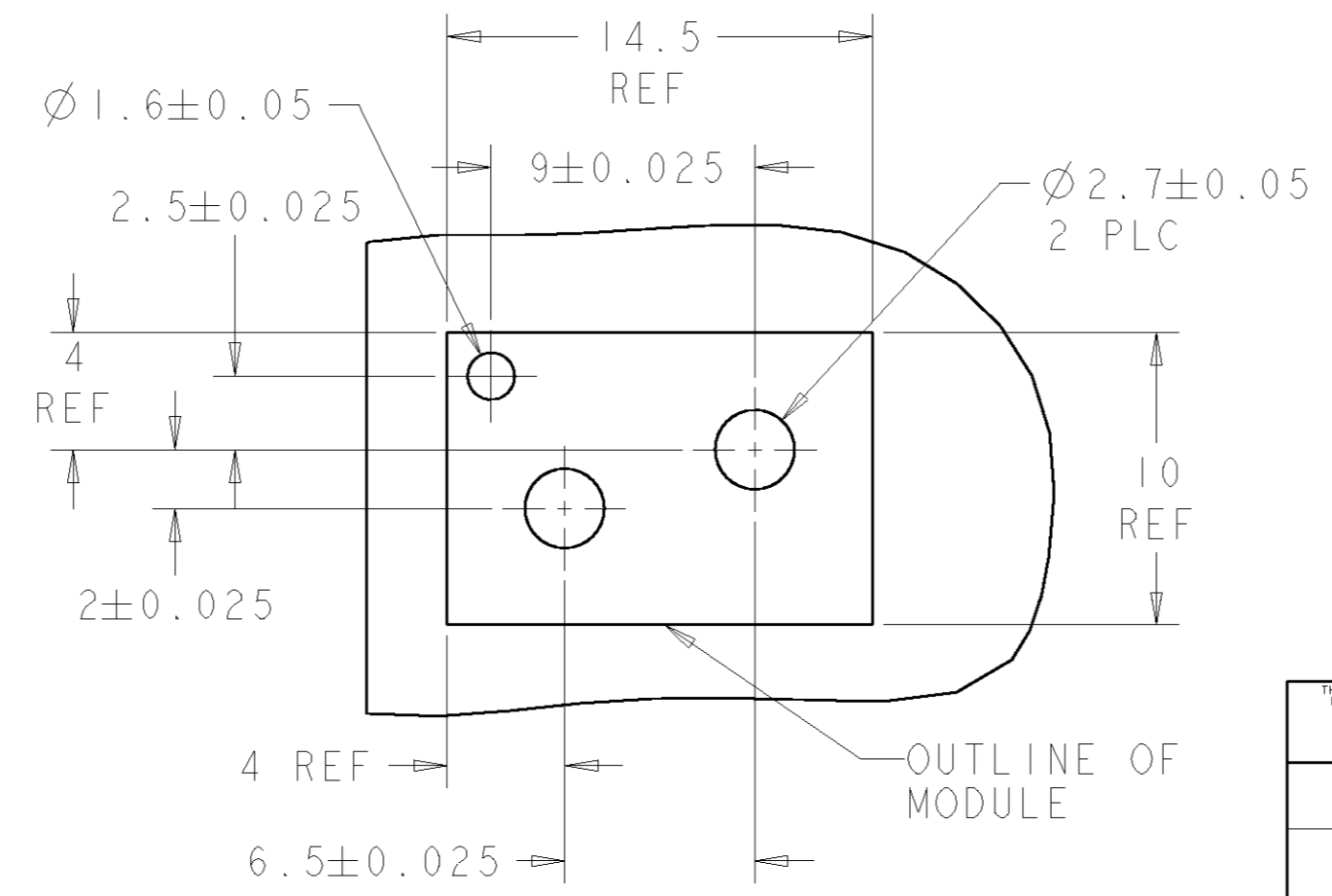


THIS DRAWING IS UNPUBLISHED. RELEASED FOR PUBLICATION 20  
 © COPYRIGHT 20 BY TYCO ELECTRONICS CORPORATION. ALL RIGHTS RESERVED.

LOC	DIST	REVISIONS					
AD	00	P	LTR	DESCRIPTION	DATE	DWN	APVD
		0		REV PER EC 0S12-0411-04	15DEC2004	BC	RP

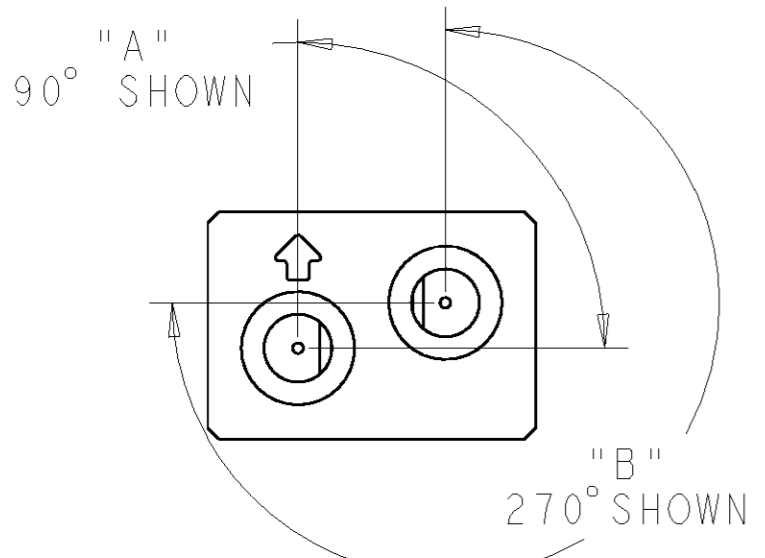


DETAIL C  
SCALE 4:1  
1-1469267-1 SHOWN



NOTES:  
 1. RECOMMENDED MOUNTING HARDWARE- M2.5 X 0.45 SCREW,  
 4.0MM LONG UP TO 2.9 MM THICK PCB  
 6.0MM LONG FOR 3.0 TO 4.0 MM THICK PCB,  
 8.0MM FOR 4.1 TO 6.0MM THICK PCB,  
 10.0MM FOR 6.1 TO 8.0MM THICK PCB.  
 (HARDWARE NOT SUPPLIED WITH PART NUMBER)

270°	90°	3-1469267-7
0°	0°	1-1469267-1
"A"	"B"	PART NUMBER



3-1469267-7

PCB LAYOUT

OUTLINE OF MODULE

THIS DRAWING IS A CONTROLLED DOCUMENT FOR TYCO ELECTRONICS CORPORATION IT IS SUBJECT TO CHANGE AND THE CONTROLLING ENGINEERING ORGANIZATION SHOULD BE CONTACTED FOR THE LATEST REVISION.		DWN D. SZCZESNY 17DEC02	tyco Electronics		Tyco Electronics Harrisburg, PA 17105-3608	
DIMENSIONS: mm		CHK R. PATTERSON 15DEC04	NAME ATCA GUIDE MODULE A1			
TOLERANCES UNLESS OTHERWISE SPECIFIED:		APVD R. PATTERSON 15DEC04	PRODUCT SPEC -			
0 PLC ±0.2		APPLICATION SPEC -				
1 PLC ±0.2		WEIGHT -				
2 PLC ±0.13		MATERIAL ZAMAC 3				
3 PLC ±0.050		FINISH NICKEL				
4 PLC ±0.0200		CUSTOMER DRAWING				
ANGLES ±0.5		SIZE A2		CAGE CODE 00779	DRAWING NO 1469267	RESTRICTED TO -
		SCALE 3:1		SHEET 1	OF 1	REV 0