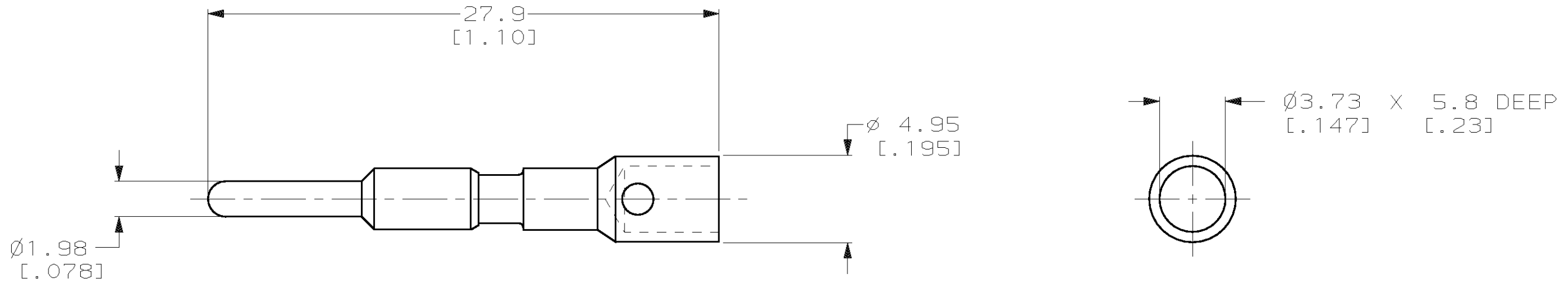


THIS DRAWING IS UNPUBLISHED. RELEASED FOR PUBLICATION, 19 .
© COPYRIGHT 19 BY AMP INCORPORATED. ALL INTERNATIONAL RIGHTS RESERVED.

LOC	DIST	P	F	REVISIONS				
CH	11			ZONE	LTR	DESCRIPTION	DATE	APPD
					A	EC OB20-1083-98	20/AUG/98	RNP
					O	RELEASED FOR PRODUCTION	07/JAN/97	RNP

- 1 MATERIAL-COPPER ALLOY
- 2 FINISH-5.08 μM[.0002] SILVER OVER 1.02 μM[.00004] NICKEL.
- 3. WIRE BARREL WILL ACCEPT #10 AWG WIRE.
- 4. MATES WITH AMP PART NUMBER 194211-1.



194210-1

PART NO

DO NOT SCALE PRINT. UNLESS SPECIFIED DIMENSIONS IN mm [INCHES] TOLERANCES ON: 1 PLC DEC ± 0.5[.02] 2 PLC DEC ± 0.25[.010] ANGLES ± -	DR	07/JAN/97 R N POLK	
	CHK	-	
	APPD	-	
	APPD	-	
MATERIAL	1	PRODUCT SPEC	-
FINISH	2	APPLICATION SPEC	-
		WEIGHT	-

AMP AMP Incorporated Harrisburg, PA 17105-3608		
NAME PIN, 2 mm, #10 AWG, LUBRICATED UNIVERSAL MATE-N-LOK* II		
SIZE	CAGE CODE	DRAWING NO
B	00779	C-194210
SCALE	NONE	SHEET
		1 OF 1

*MATE-N-LOK IS A TRADEMARK

THIS DRAWING IS A CONTROLLED DOCUMENT FOR AMP INCORPORATED. IT IS SUBJECT TO CHANGE AND THE CONTROLLING ENGINEERING ORGANIZATION SHOULD BE CONTACTED FOR THE LATEST REVISION.