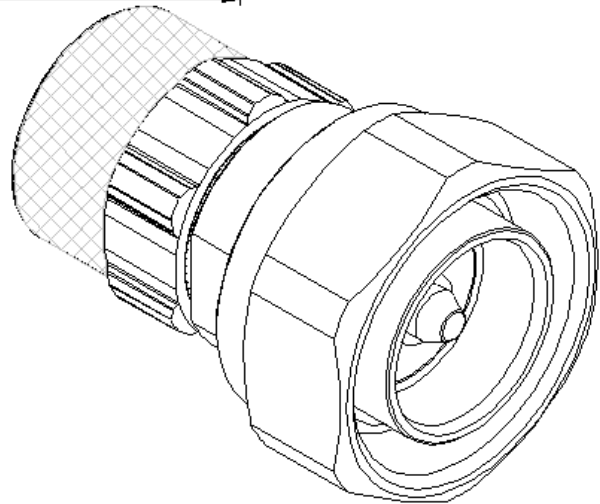
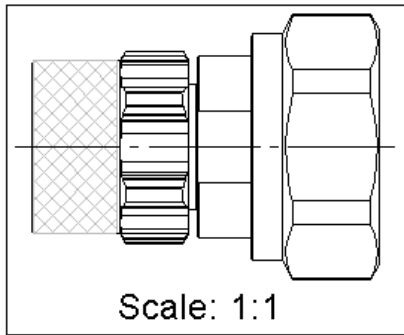
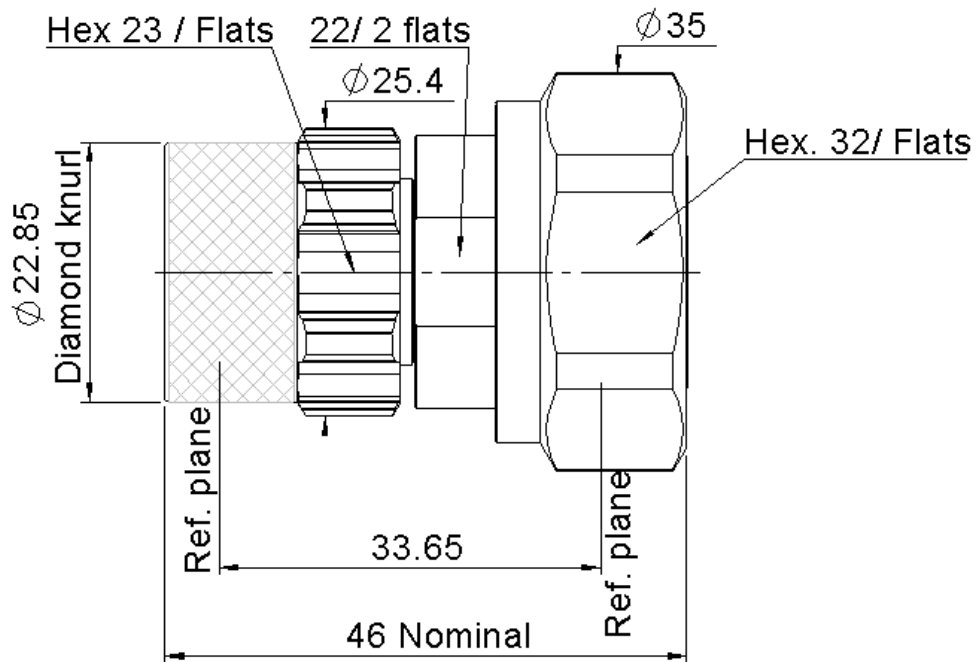
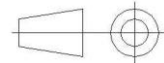


PAGE 1/2	ISSUE 1416C	SERIES ADAPTER	PART NUMBER R191663000
----------	-------------	-------------------	-------------------------------



All dimensions are in mm.



COMPONENTS	MATERIALS	PLATING (µm)
Body	BRASS	BBR
Center contact	BRONZE	SILVER
Outer contact	BRASS	BBR
Insulator	PTFE	
Gasket	SILICONE RUBBER	
Others parts	BRASS	BBR
-	-	-
-	-	-

PAGE 2/2	ISSUE 1416C	SERIES ADAPTER	PART NUMBER R191663000
-----------------	--------------------	--------------------------	-------------------------------

PACKAGING

Standard	Unit	Other
1		Contact us

ELECTRICAL CHARACTERISTICS

Impedance		50		Ω
Frequency		0-6		GHz
VSWR	1.04	+	0.0200	x F(GHz) Maxi
Insertion loss			0.05	√F(GHz) dB Maxi
RF leakage		- (NA	- F(GHz) dB Maxi
Voltage rating			1400	Veff Maxi
Dielectric withstanding voltage			2500	Veff mini
Insulation resistance			5000	MΩ mini

MECHANICAL CHARACTERISTICS

Center contact retention				
Axial force – Mating End		50		N mini
Axial force – Opposite end		200		N mini
Torque		NA		N.cm mini
Recommended torque				
Mating	QLI		0	N.cm
	7/16		3000	N.cm
			0	N.cm
Panel nut			NA	N.cm
Mating life		100		Cycles mini
Weight		128.4870		g

ENVIRONMENTAL

Operating	-55~+120	°C
Hermetic seal	NA	Atm.cm3/s
Panel leakage	NA	

SPECIFICATION

OTHER CHARACTERISTICS

IMP3<-120dBm under 2 carriers of +43dBm
IP67 mated condition