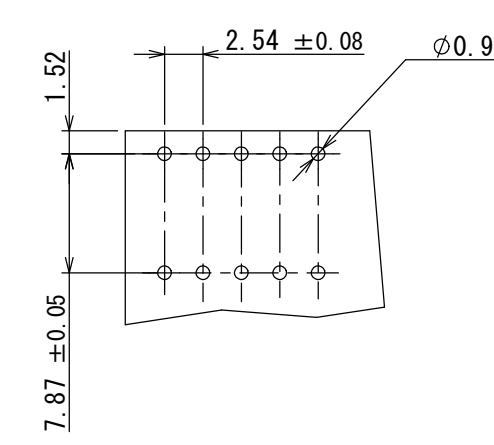
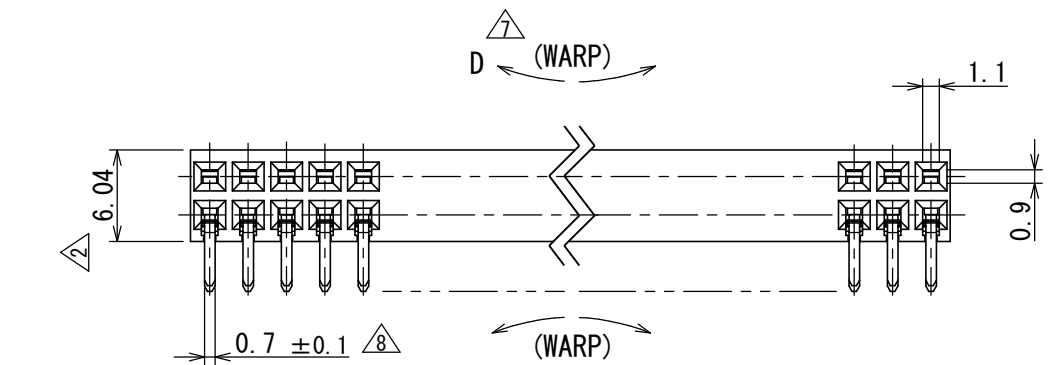
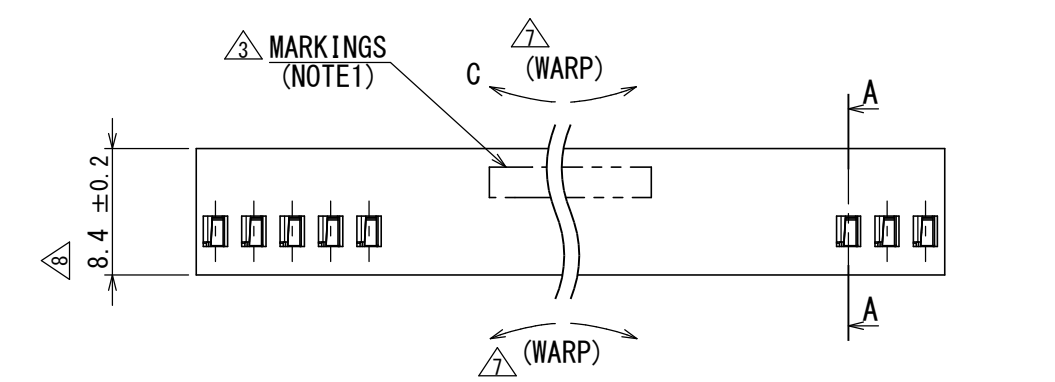
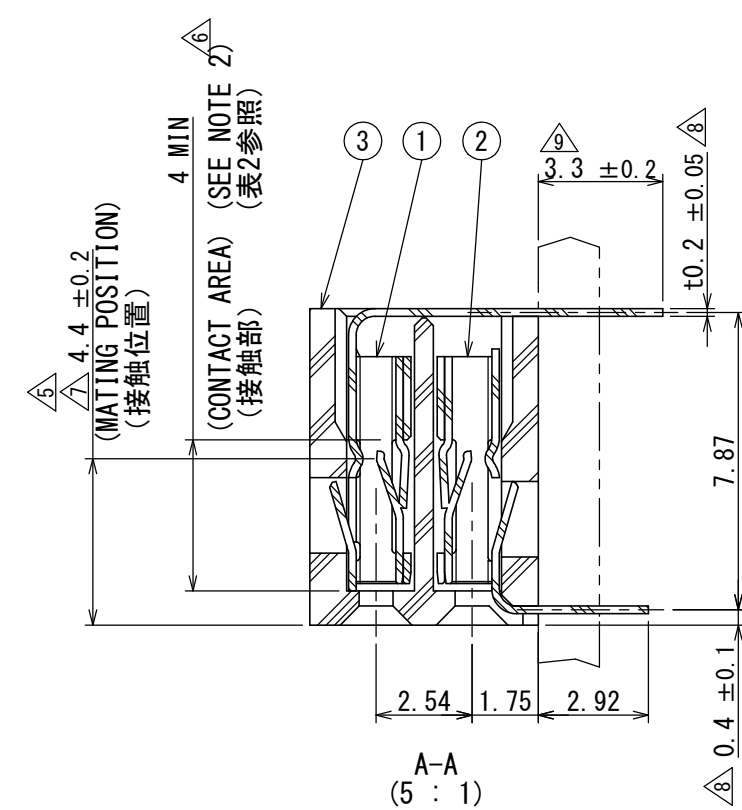
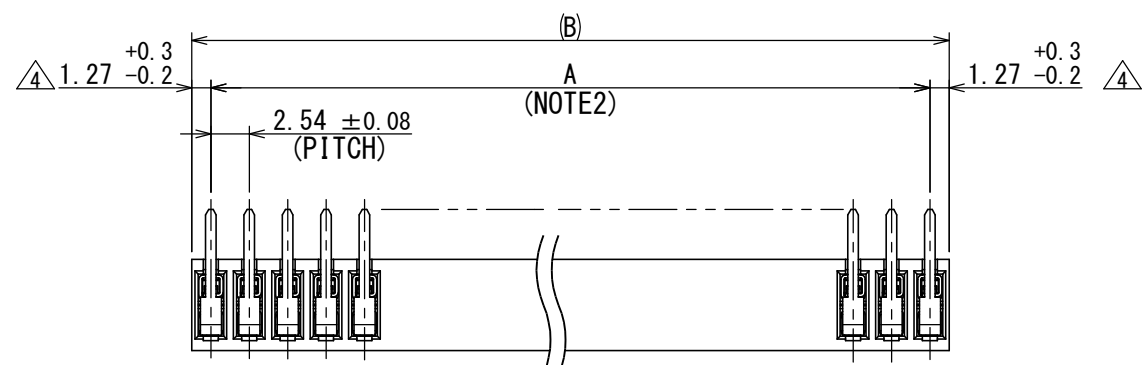


SJ013740
(DRAWING NO.)

版数 VER.	年月日 DATE	図 NO.	変更内容 DESCRIPTION	製 DR.	担 CHK.	査 APPD.	承認 APPD.
11	28/MAR/1997	39708	REDRAWN	J. ICHIYAMA	Y. YAHIRO	K. HISATOMI	H. YASUI
12	05/DEC/1997	41112	CHANGE NOTE1	—	Y. YAHIRO	K. HISATOMI	H. YASUI
13	25/JUL/2014	008360	REDRAWN, CHANGE NOTE, ETC.	—	K. NAKAZAWA	—	T. KUDOU
14	04/NOV/2020	035864	CORRECT PRODUCTION LOT NUMBER	—	K. KUMAGAI	K. NAKAZAWA	T. AOYAGI



P.C.B. HOLE PATTERNS (REF.)
基板取付寸法 (参考)

TABLE 1. PART NO. AND CONTACTS DIMENSIONS

PART NO.	NO. OF CONTACTS	A	B	PART NO.	NO. OF CONTACTS	A	B
PS-2SD-D4T1-*	2	—	2.54	PS-68SD-D4T1-*	68	83.82	86.36
PS-4SD-D4T1-*	4	2.54	5.08	PS-70SD-D4T1-*	70	86.36	88.90
PS-6SD-D4T1-*	6	5.08	7.62	PS-72SD-D4T1-*	72	88.90	91.44
PS-8SD-D4T1-*	8	7.62	10.16	PS-74SD-D4T1-*	74	91.44	93.98
PS-10SD-D4T1-*	10	10.16	12.70	PS-76SD-D4T1-*	76	93.98	96.52
PS-12SD-D4T1-*	12	12.70	15.24	PS-78SD-D4T1-*	78	96.52	99.06
PS-14SD-D4T1-*	14	15.24	17.78	PS-80SD-D4T1-*	80	99.06	101.60
PS-16SD-D4T1-*	16	17.78	20.32	PS-82SD-D4T1-*	82	101.60	104.14
PS-18SD-D4T1-*	18	20.32	22.86	PS-84SD-D4T1-*	84	104.14	106.68
PS-20SD-D4T1-*	20	22.86	25.40	PS-86SD-D4T1-*	86	106.68	109.22
PS-22SD-D4T1-*	22	25.40	27.94	PS-88SD-D4T1-*	88	109.22	111.76
PS-24SD-D4T1-*	24	27.94	30.48	PS-90SD-D4T1-*	90	111.76	114.30
PS-26SD-D4T1-*	26	30.48	33.02	PS-92SD-D4T1-*	92	114.30	116.84
PS-28SD-D4T1-*	28	33.02	35.56	PS-94SD-D4T1-*	94	116.84	119.38
PS-30SD-D4T1-*	30	35.56	38.10	PS-96SD-D4T1-*	96	119.38	121.92
PS-32SD-D4T1-*	32	38.10	40.64	PS-98SD-D4T1-*	98	121.92	124.46
PS-34SD-D4T1-*	34	40.64	43.18	PS-100SD-D4T1-*	100	124.46	127.00
PS-36SD-D4T1-*	36	43.18	45.72	PS-102SD-D4T1-*	102	127.00	129.54
PS-38SD-D4T1-*	38	45.72	48.26	PS-104SD-D4T1-*	104	129.54	132.08
PS-40SD-D4T1-*	40	48.26	50.80	PS-106SD-D4T1-*	106	132.08	134.62
PS-42SD-D4T1-*	42	50.80	53.34	PS-108SD-D4T1-*	108	134.62	137.16
PS-44SD-D4T1-*	44	53.34	55.88	PS-110SD-D4T1-*	110	137.16	139.70
PS-46SD-D4T1-*	46	55.88	58.42	PS-112SD-D4T1-*	112	139.70	142.24
PS-48SD-D4T1-*	48	58.42	60.96	PS-114SD-D4T1-*	114	142.24	144.78
PS-50SD-D4T1-*	50	60.96	63.50	PS-116SD-D4T1-*	116	144.78	147.32
PS-52SD-D4T1-*	52	63.50	66.04	PS-118SD-D4T1-*	118	147.32	149.86
PS-54SD-D4T1-*	54	66.04	68.58	PS-120SD-D4T1-*	120	149.86	152.40
PS-56SD-D4T1-*	56	68.58	71.12	PS-122SD-D4T1-*	122	152.40	154.94
PS-58SD-D4T1-*	58	71.12	73.66	PS-124SD-D4T1-*	124	154.94	157.48
PS-60SD-D4T1-*	60	73.66	76.20	PS-126SD-D4T1-*	126	157.48	160.02
PS-62SD-D4T1-*	62	76.20	78.74	PS-128SD-D4T1-*	128	160.02	162.56
PS-64SD-D4T1-*	64	78.74	81.28	PS-130SD-D4T1-*	130	162.56	165.10
PS-66SD-D4T1-*	66	81.28	83.82				

TABLE 2. CONTACT FINISH

FINISH	1	2	3
CONTACT AREA	GOLD (0.1 μm MIN.) OVER NICKEL (1.5 μm MIN.)	GOLD (0.3 μm MIN.) OVER NICKEL (1.5 μm MIN.)	GOLD (0.76 μm MIN.) OVER NICKEL (1.5 μm MIN.)
OTHERS	GOLD FLASH OVER NICKEL (1.5 μm MIN.)	GOLD FLASH OVER NICKEL (1.5 μm MIN.)	GOLD FLASH OVER NICKEL (1.5 μm MIN.)

TABLE 3

NO. OF CONTACTS 芯数	MARKING 表示
2~4	NONE (表示なし)
6~10	JAE
12~38	JAE**
40~130	JAE PS-*** ※※※※

(** : NO. OF CONTACTS)

TABLE 4

NO. OF CONTACTS 芯数	TOLERANCE 公差
2~60	±0.15 MAX.
62~130	±0.2 MAX.

TABLE 5

	NO. OF CONTACTS 芯数	
C-WARP C反り	2~60	0.1 MAX.
	62~130	0.5 MAX.
D-WARP D反り	2~60	0.15 MAX.
	62~130	0.8 MAX.

DESIGNATION
命名法

PS-***SD-D4T1-*

- CONTACT FINISH (SEE TABLE 2)
仕上げ (表2参照)
- TERMINAL LENGTH (t1.6~2 PC BOARD)
結線部長さ (t1.6~2用)
- TERMINATION (T: THROUGH HOLE TYPE)
ターミネーション (T: スルーホール)
- CONTACT ROW AND PITCH (D: DOUBLE ROWS, 4: 2.54 PITCH)
2列 2.54ピッチ
- CONTACT DESIGN
接触部構造
- SOCKET SIDE
ソケット側
- NO. OF CONTACTS (SEE TABLE 1)
芯数 (表1参照)

SERIES
シリーズ名

NOTE 1. COMPANY LOGO "JAE", PART NUMBER AND PRODUCTION LOT NUMBER AS INDICATED. (SEE TABLE 3)

NOTE 2. PART NUMBER INDICATION IS TWO TYPES, WHICH IS MARKED WITH LASER AND RAISED LETTERS.

NOTE 3. TOLERANCE OF DIMENSION A. (SEE TABLE 4)

NOTE 4. WARP. (SEE TABLE 5)

注1. 品名表示
図示の位置に社標、品名及び生産ロット番号を表示する。(表3参照)

注2. 品名表示は、レーザー刻印と浮き出し文字の2種類があります。

注3. A寸法公差。(表4参照)

注4. 反り寸法。(表5参照)

PRODUCTION LOT NUMBER
生産ロット番号

※※※※

LOT NUMBER OF CURRENT MONTH
月の生産ロット番号

MONTH (1~9, OCT:0, NOV:X, DEC:Y)
月表示 (1~9, 10月:0, 11月:X, 12月:Y)

YEAR (LAST DIGIT ONLY)
年表示 (西暦末尾)

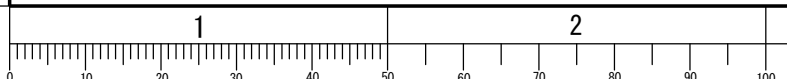
MANUFACTURING DEPARTMENT CODE
製造部門コード

3	INSULATOR	1	PBT	NONE	UL94 V-0 (COLOR: BLACK)
2	LOWER CONTACT	SEE TABLE 1	COPPER ALLOY	SEE TABLE 2	-
1	UPPER CONTACT	SEE TABLE 1	COPPER ALLOY	SEE TABLE 2	-

符号 NO.	名称 DESCRIPTION	個数 QTY.	材料 MATERIAL	仕上 FINISH	備考 REMARKS
仕様書 (SPECIFICATION) JACS-1133					
第1版 (ORIGINAL DATE) 10/JUL/1973		尺度 (SCALE) 2:1			
製図 DR. SUGASAWA		シリーズ (SERIES) PS			
担当 CHK. ICHIMURA		名称 (TITLE) PS-***SD-D4T1-* RECEPTACLE			
査閲 APPD. KONISHI		製図番号 (DRAWING NO.) SJ013740			
承認 APPD. SAMUTA		シート (SHEET NO.) 1 OF 1			
単位 (UNIT): mm		質量 (MASS)			

WISDOM承認 2020/11/23

DOF-213J(20.07)



SIZE A2 版数 (VER.) 14