

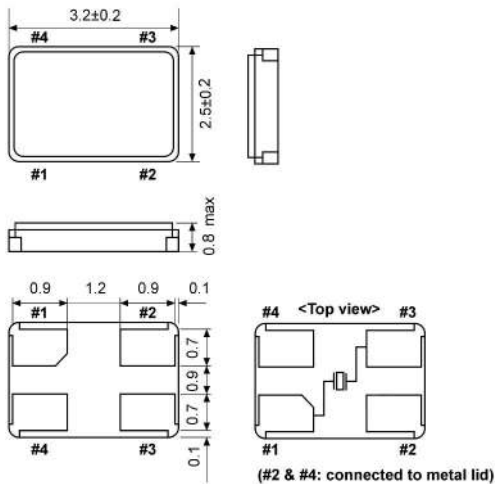


## Quartz Crystal

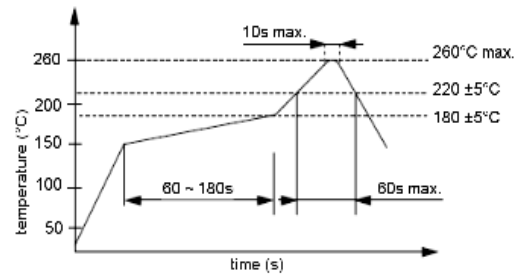
SMD-version

part no.	12.60233
model	KX – 7T
frequency	25.0 MHz
mode	fundamental
operating temperature	-40° ~ +85°C
frequency tolerance at +25°C	±20 ppm
temperature tolerance -40° ~ +85°C	±20 ppm
load capacitance $C_L$	12 pF
series resistance R1 max.	30 Ohm
aging at +25°C (first year) max.	±2 ppm
shunt capacitance $C_0$ max.	3.5 pF
drive level max.	300 $\mu$ W
contents of reel	1000 pcs.

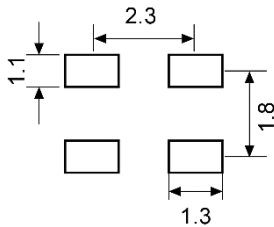
Dimensions (mm):



Reflow soldering condition:



Suggested soldering pad:



Tape specification:

