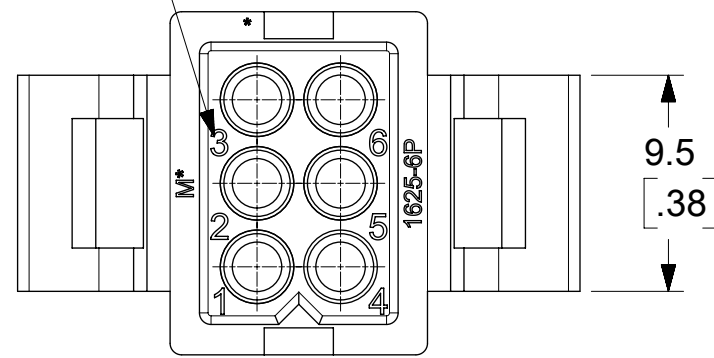
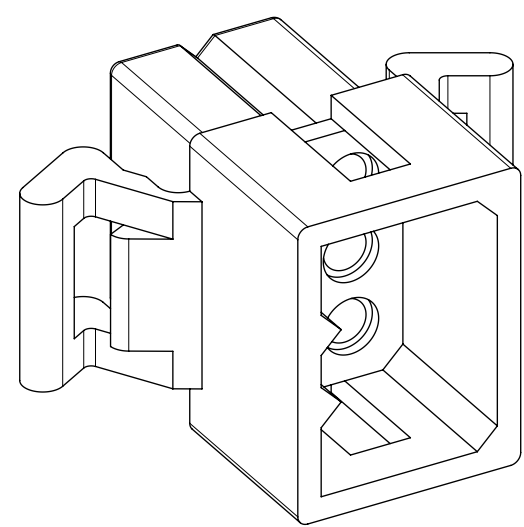
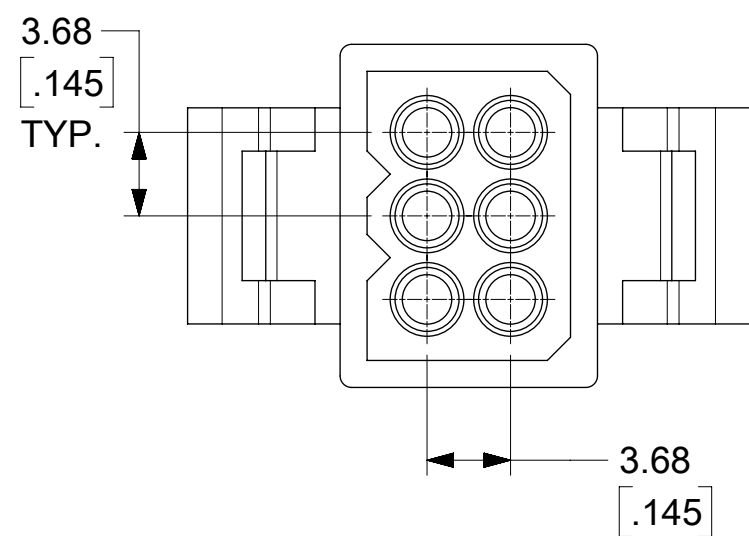
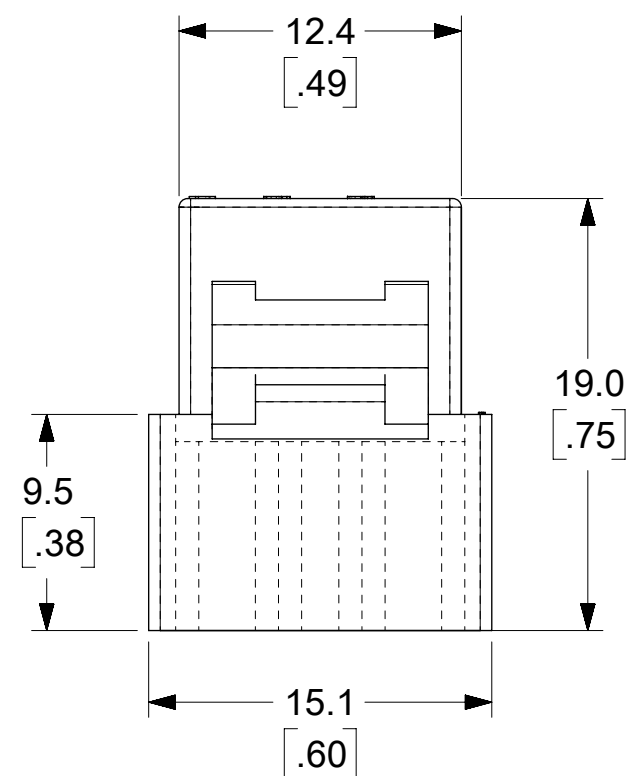
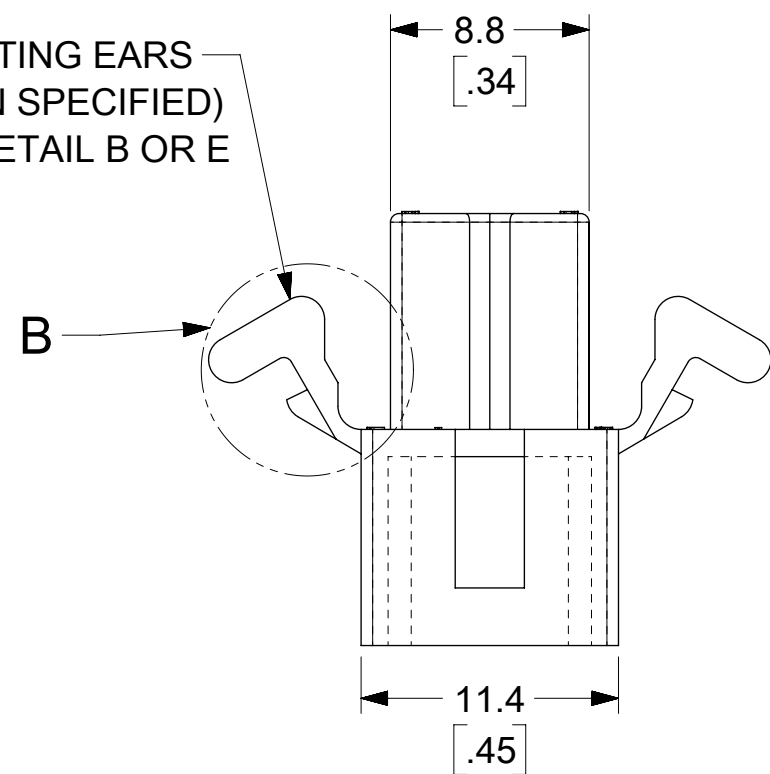


PLUG

CIRCUIT NUMBERS
(6 PL.)



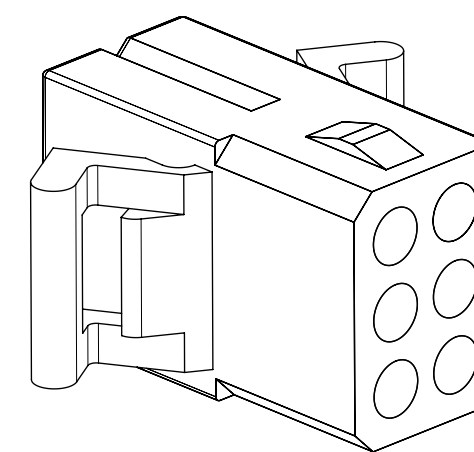
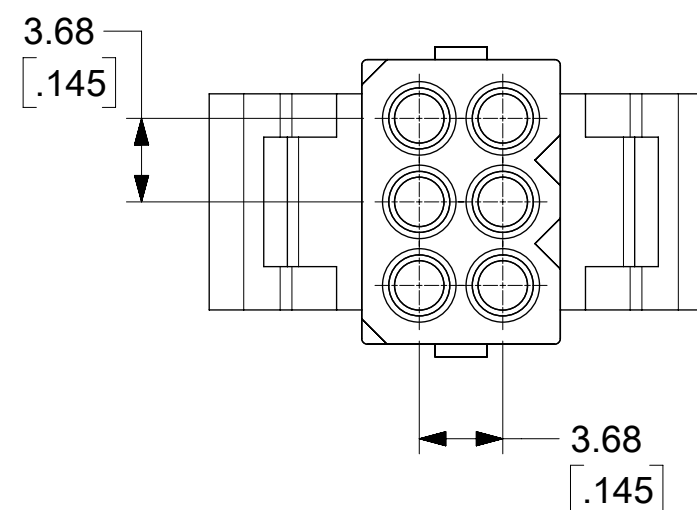
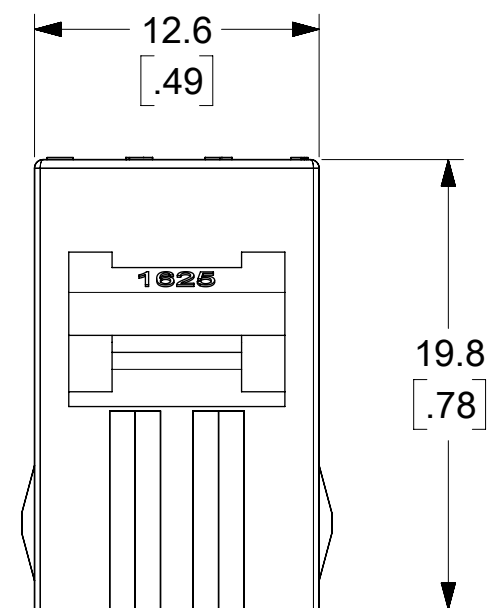
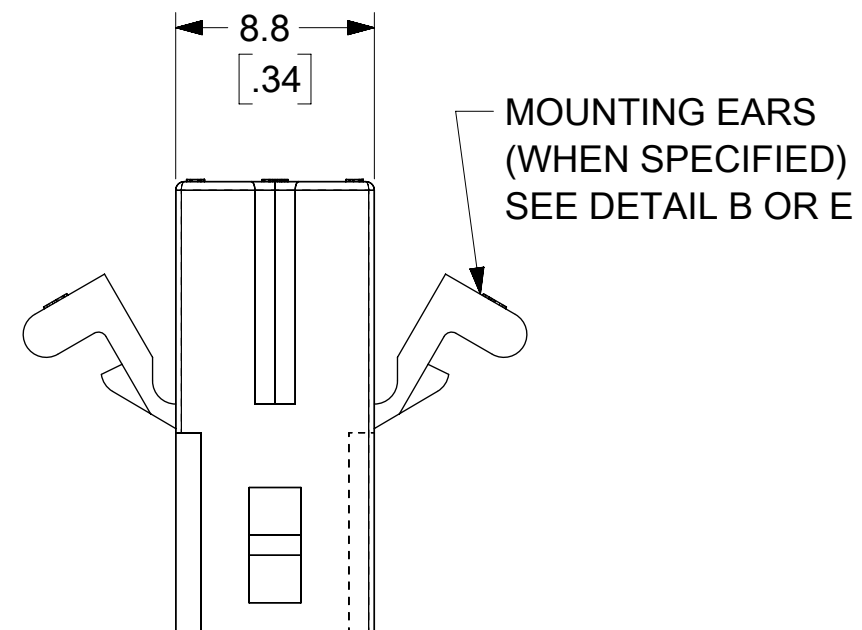
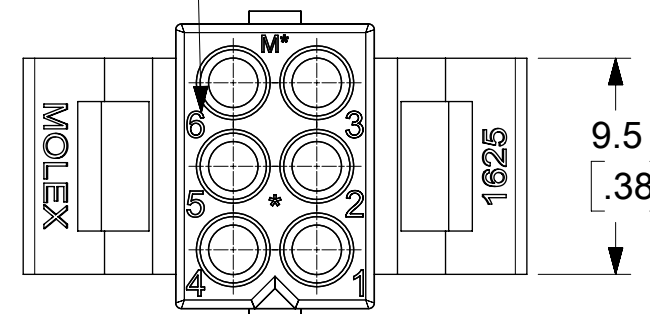
MOUNTING EARS
(WHEN SPECIFIED)
SEE DETAIL B OR E



PLUG
SHOWN WITH PREBENT EAR

RECEPTACLE

CIRCUIT NUMBERS
(6 PL.)

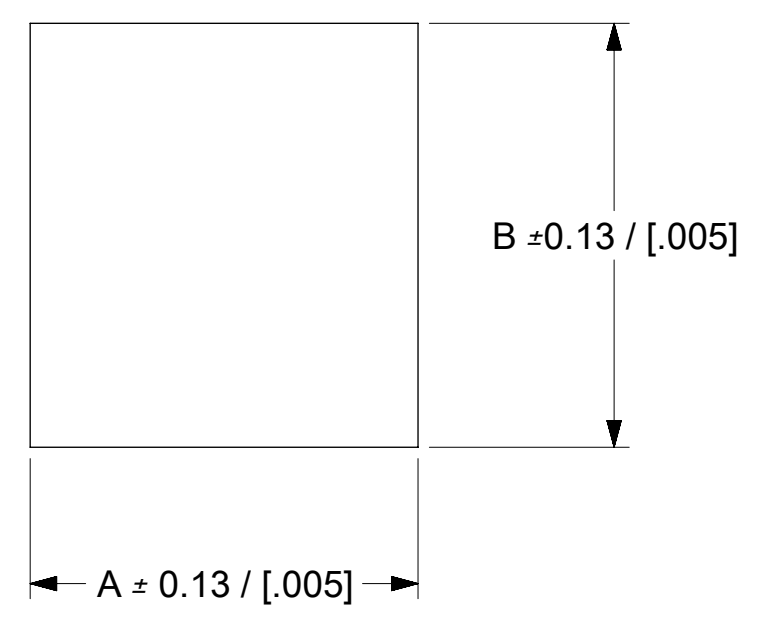
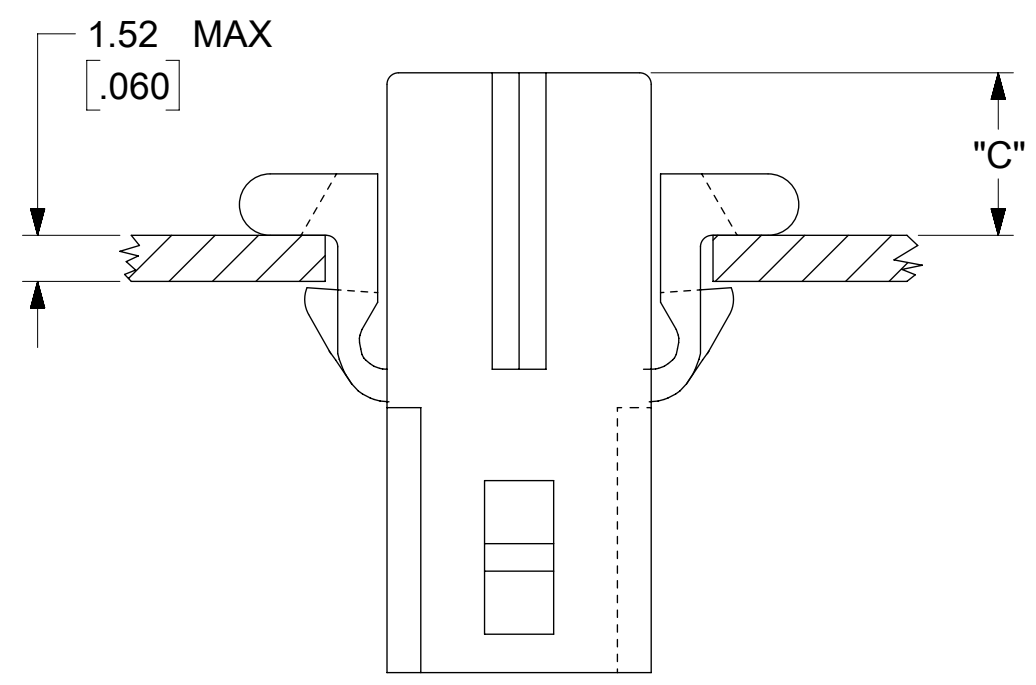


RECEPTACLE
SHOWN WITH PREBENT EARS

THIS DRAWING CONTAINS INFORMATION THAT IS PROPRIETARY TO MOLEX ELECTRONIC TECHNOLOGIES, LLC AND SHOULD NOT BE USED WITHOUT WRITTEN PERMISSION										
QUALITY SYMBOLS	REMOVE STANDARD EAR EC NO: 167621 DRWN: MKIPPER CHKD: JBELL REV APPR: FSMITH	GENERAL TOLERANCES (UNLESS SPECIFIED)		DIMENSION UNITS	SCALE					
		MM	INCH	MM/IN	3:1					
▽ = 0	A2 2017/11/03 2018/01/17 2018/01/24	4 PLACES	±	±	DRWN BY	DATE	.062/(1.57) HSG PLUG & RECEPTACLE 6 CKT .145/(3.683) C.L.			
▽ = 0		3 PLACES	±	± 0.005	BAPPELDORN	2016/07/13				
▽ = 0		2 PLACES	± 0.13	± 0.01	CHK'D BY	DATE	PRODUCT CUSTOMER DRAWING			
▼ = 0		1 PLACES	± 0.25	±	MKIPPER	2016/07/13				
▽ = 0		0 PLACES	±	±	APPR BY	DATE	PRODUCT CUSTOMER DRAWING			
☒ = 0		ANGULAR TOL = 0.5	DRAFT WHERE APPLICABLE MUST REMAIN WITHIN DIMENSIONS		FSMITH	2016/07/13				
■ = 0	DRAFT WHERE APPLICABLE MUST REMAIN WITHIN DIMENSIONS		DRAWING SIZE	THIRD ANGLE PROJECTION	SERIES: 1625 MATERIAL NUMBER: SEE CHART CUSTOMER: GENERAL MARKET		DOCUMENT NUMBER: 16250600-SD DOC TYPE: PSD DOC PART: 000 SHEET NUMBER: 1 OF 2			
▽ = 0	DRAFT WHERE APPLICABLE MUST REMAIN WITHIN DIMENSIONS		C							

PLUG	
ORDER NO	ENG NO
03-06-2061	1625-6P1
03-06-7061	1625-6P1BK
46999-0804	1625-6P2

RECEPTACLE	
ORDER NO	ENG NO
03-06-1062	1625-6R1
03-06-6062	1625-6R1BK
46999-0805	1625-6R2



HOUSING	DIM. "A"	DIM. "B"	"C" PREBENT EAR	"C" STANDARD EAR
PLUG	15.42 / [.607]	15.62 / [.615]	5.6 / [.22]	4.6 / [.18]
RECEPTACLE	12.83 / [.505]	14.02 / [.552]	5.8 / [.23]	4.8 / [.19]

LEGEND:

1625-6****

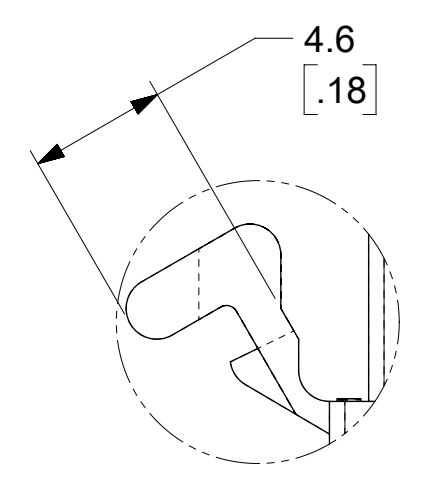
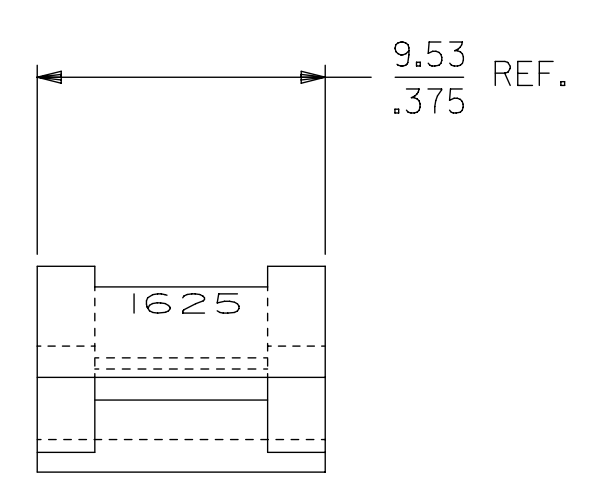
CIRCUIT SIZE

P = PLUG
R = RECEPTACLE

1 = WITHOUT EARS
2 = WITH PREBENT EARS

COLOR:

BLANK = NATURAL COLOR
BK = BLACK



DETAIL B
SCALE 4:1

- NOTES:
1. MATERIAL NYLON TYPE 6/6, 94-2.
 2. FINISH: NONE.
 3. PRODUCT SPECS: MOLEX PRODUCT SPECS 02-06 APPLIES.
 4. PACKAGING SPECS: BULK PACK PK-1625-003.
 5. PARTS CONFORM TO CLASS B REQUIREMENTS OF COSMETIC SPECIFICATION PS-45499-002.

QUALITY SYMBOLS		THIS DRAWING CONTAINS INFORMATION THAT IS PROPRIETARY TO MOLEX ELECTRONIC TECHNOLOGIES, LLC AND SHOULD NOT BE USED WITHOUT WRITTEN PERMISSION									
REMOVE STANDARD EAR EC NO: 167621 DRWN: MKIPPER CHKD: JBELL REV APPR: FSMITH	▽ = 0	GENERAL TOLERANCES (UNLESS SPECIFIED)	DIMENSION UNITS		SCALE						
	▽ = 0		MM	INCH	1:1						
	▽ = 0	4 PLACES ±	DRWN BY		DATE		.062/(1.57) HSG PLUG & RECEPTACLE 6 CKT .145/(3.683) C.L.				
	▽ = 0	3 PLACES ± ± 0.005	BAPPELDORN		2016/07/13						
	▽ = 0	2 PLACES ± 0.13 ± 0.01	CHK'D BY		DATE						
	▽ = 0	1 PLACES ± 0.25 ±	MKIPPER		2016/07/13						
	▽ = 0	0 PLACES ± ±	APPR BY		DATE						
	▽ = 0	ANGULAR TOL = 0.5	FSMITH		2016/07/13						
	▽ = 0	DRAFT WHERE APPLICABLE MUST REMAIN WITHIN DIMENSIONS	DRAWING SIZE		THIRD ANGLE PROJECTION						
	▽ = 0		C								
RELEASE STATUS	P1	RELEASE DATE	2018/01/24	23:47:48	SERIES		MATERIAL NUMBER		CUSTOMER		
12		11			1625	SEE CHART		GENERAL MARKET			
					DOCUMENT NUMBER		DOC TYPE	DOC PART	SHEET NUMBER		
					16250600-SD		PSD	000	2 OF 2		