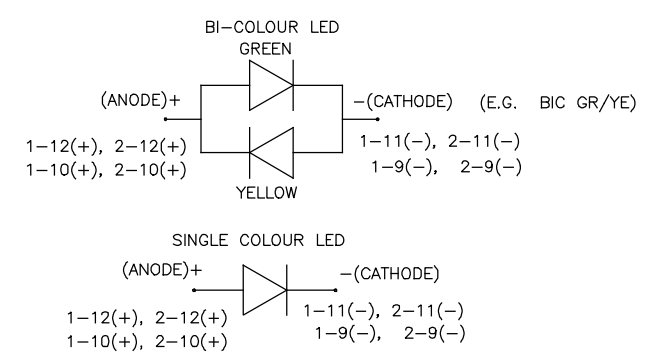
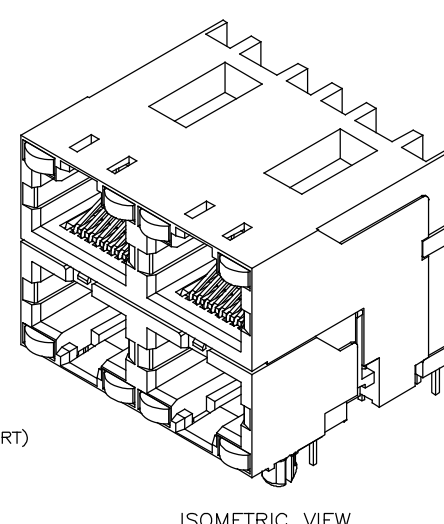
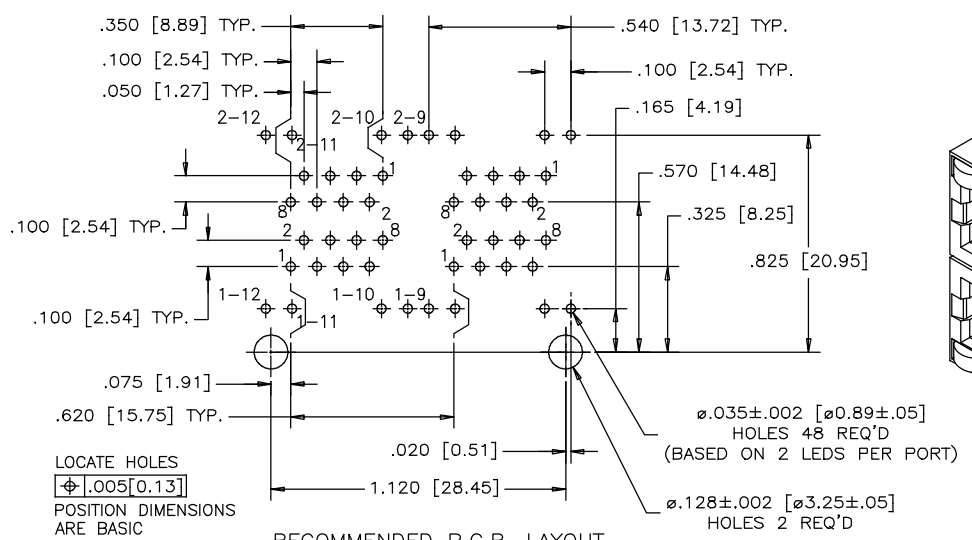
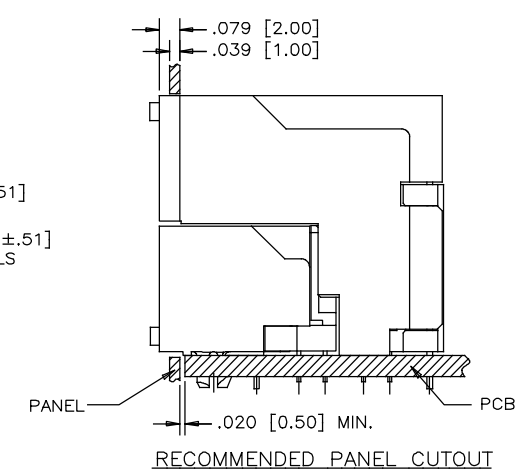
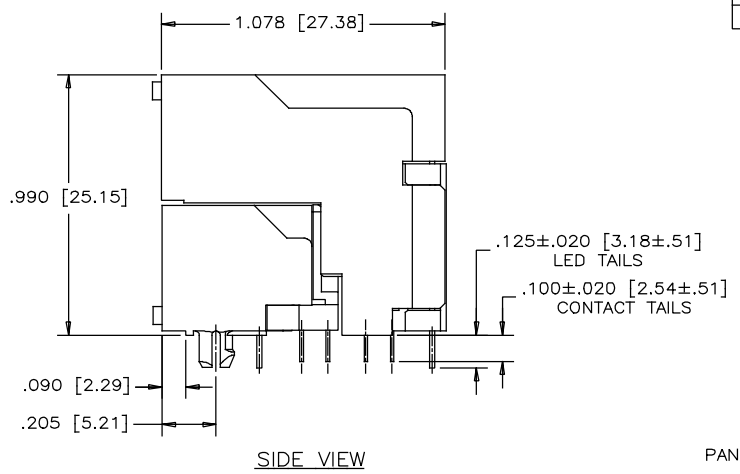
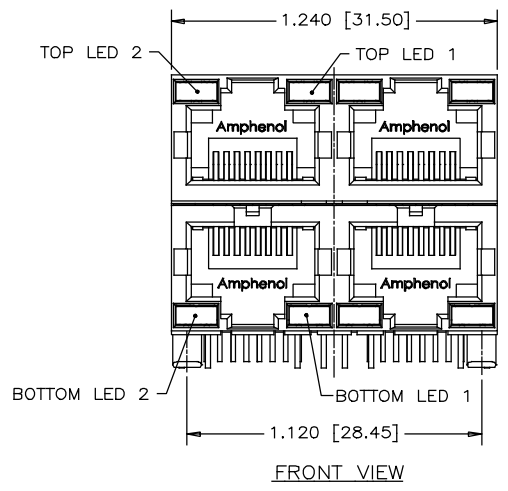


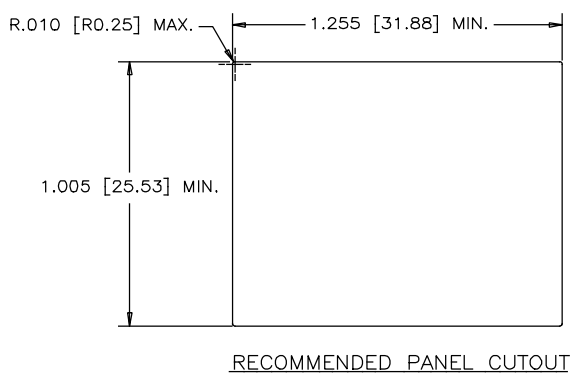
REVISIONS			
REV	DESCRIPTION, ECN, EAR NO.	DATE	APP'D
A	PROPOSAL	NOV11/19	L.CHAN



NOTES:

1. MATERIALS:
 CONTACTS: PHOSPHOR BRONZE, SELECTIVE GOLD PLATING ON MATING SURFACES SEE PART NO. FOR THICKNESS. 50 MICROINCHES MIN. NICKEL OVERALL. 100 MICROINCHES MIN. MATTE TIN OR GOLD FLASH ON TAILS.
 HOUSING: ENGINEERING PLASTIC. FLAMMABILITY RATING UL 94V-0, BLACK

2. RECOMMENDED SOLDERING TEMPERATURE:
 WAVE SOLDERING PEAKED AT 260°C FOR 10 SEC MAXIMUM



AMPHENOL PART NO.: RJSAE-X08X-04X

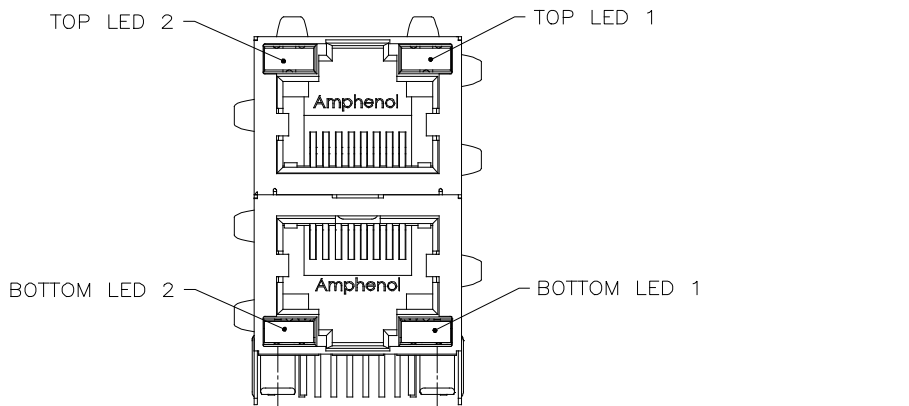
GOLD PLATING OPTION:
 D=6u" GOLD PLATING
 G=15u" GOLD PLATING
 J=30u" GOLD PLATING
 5=50u" GOLD PLATING

REFER TO LED OPTIONS DRAWING FOR ORDERING CODES



UNLESS SPECIFIED OTHERWISE		DRAWN	RONNIE.C	NOV11/19	Amphenol Canada Corp. Commercial Products
PRIMARY UNITS	INCHES	CHECKED	KELVIN.T	NOV11/19	
SECONDARY	MILLIMETERS	M.E. APP'D			STACKABLE 2x2 PORT MODULAR JACK, 8 POSITION, 8 CONTACTS, WITH LEDs, 0.100INCH CONTACT TAILS, UNSHIELDED - RoHS COMPLIANT
REFERENCE IN PARENTHESES		Q.A. APP'D			
GENERAL TOLERANCES		DWG APP'D			DWG NO. P-RJSAE-X08X-04X
1 DECIMAL PLACE		ENG. REL. NO.			
2 DECIMAL PLACES		REF.			REV A
3 DECIMAL PLACES	±.015	THIRD ANGLE PROJECTION			
ANGULAR DEGREES	±1.5°	DO NOT SCALE DRAWING			CODE ID NO. 03554 DWG SIZE X SCALE 1:1 SHEET 1 OF 1

THIS DOCUMENT CONTAINS PROPRIETARY INFORMATION AND SUCH INFORMATION MAY NOT BE DISCLOSED TO OTHERS FOR ANY PURPOSE OR USED FOR MANUFACTURING PURPOSES WITHOUT WRITTEN PERMISSION FROM AMPHENOL CANADA CORP.



EXAMPLE:1

PART NUMBER RJSAE-***X-**

SEE NOTE 2 → LED COLOR CODE

EXAMPLE:2

PART NUMBER RJSAE-***U-**-XX

SEE NOTE 2 → SPECIAL CODE FOR TOP & BOTTOM LEDS CONFIGURATION
 SEE NOTE 2 → BOTTOM ASSY LED (SAME AS STD CODE)
 SEE NOTE 2 → TOP ASSY LED (SAME AS STD CODE)

CODE	LED 2 (LEFT)	LED 1 (RIGHT)	CODE	LED 2 (LEFT)	LED 1 (RIGHT)	CODE	LED 2 (LEFT)	LED 1 (RIGHT)
0	BLOCKED	BLOCKED	9	GREEN	BLOCKED	J	BiC RD/GR	YELLOW
1	YELLOW	GREEN	A	BiC GR/YE	BiC GR/YE	K	YELLOW	BiC GR/OR
2	BLOCKED	GREEN	B	BiC RD/GR	BiC RD/GR	L	BiC GR/YE	RED
3	YELLOW	BLOCKED	C	BiC RD/GR	BiC GR/YE	M	RED	YELLOW
4	GREEN	YELLOW	D	GREEN	BiC GR/YE	N	BiC GR/RD	BiC GR/YE
5	GREEN	GREEN	E	YELLOW	BiC GR/YE	P	GREEN	BiC RD/GR
6	YELLOW	YELLOW	F	BiC GR/YE	YELLOW	R	BiC GR/OR	GREEN
7	RED	GREEN	G	BiC GR/OR	BiC GR/OR	T	RED	RED
8	GREEN	RED	H	BiC GR/YE	GREEN	V	BiC RD/GR	GREEN
						W	ADDITIONAL OPTIONS	
						U	SPECIAL CODE FOR TOP & BOTTOM LEDS CONFIGURATION	

EXAMPLE:3

PART NUMBER RJSAE-***W-**X

SEE NOTE 2 → ADDITIONAL LED COLOR CODE
 SEE NOTE 2 → DENOTES ADDITIONAL LED OPTIONS TO BE USED

CODE	LED 2 (LEFT)	LED 1 (RIGHT)	CODE	LED 2 (LEFT)	LED 1 (RIGHT)	CODE	LED 2 (LEFT)	LED 1 (RIGHT)
0	DO NOT USE		5	BLOCKED	YELLOW	A	LOWC YE	LOWC YE
1	RED	BLOCKED	6	RED	BiC RD/GR	B	LOWC YE	LOWC GR
2	BiC GR/OR	YELLOW	7			C	LOWC GR	LOWC YE
3	YELLOW	RED	8	BiC RD/GR	BLOCKED	D	LOWC GR	LOWC GR
4	BLOCKED	RED	9	BiC GR/YE	BLOCKED	M	LOWC RD	LOWC YE
						N	GREEN	BiC GR/OR
						E	GREEN	ORANGE
						F	ORANGE	GREEN
						G	BiC YE/GR	BiC YE/GR
						P	BiC RD/YE	GREEN
						R	BiC RD/YE	BiC RD/YE
						T	BiC GR/YE	BiC RD/GR
						H	BLUE	RED

EXAMPLE:4

PART NUMBER RJSAE-***X-***X*

SEE NOTE 2 → LED COLOR CODE THE SAME AS EXAMPLE 1, 2, 3
 SEE NOTE 2 → LED COLOR CODE THE SAME AS EXAMPLE 1, 2, 3

LED SPECIFICATIONS:

FORWARD VOLTAGE: 1.8~3.4 VOLTS.

REVERSE VOLTAGE: 5.0 VOLTS MAX.

LUMINOUS INTENSITY: 3~60 mcd

(AT If=20mA)

STORAGE TEMPERATURE: -40° TO 85° C

PLATING ON TAILS: TIN OR TIN/COPPER ALLOY OVER SILVER

PRIMARY COLOR FOR BI-COLOR

LEDS IN STANDARD ANODE/CATHODE CONFIGURATION IS:

RED-GREEN= RED

RED-YELLOW= RED

GREEN-YELLOW= GREEN

GREEN-ORANGE= GREEN

LEGEND

BiC=BI-COLOR LED

LOWC=LOW CURRENT LED

YE=YELLOW

GR=GREEN

RD=RED

OR=ORANGE



NOTES:

1. THE TWO DIGITS PRECEDING THE ADDITIONAL LED CODE MUST BE USED IN THE PART NUMBER, WHEN ORDERING ANY OF THE ADDITIONAL LED OPTIONS.

2. '*' REPRESENT DIFFERENT OPTION OF CONNECTOR, DETAIL OPTION PLEASE SEE RELEVANT CONNECTOR DRAWING.

REVISIONS			
REV	DESCRIPTION, ECN, EAR NO.	DATE	APP'D
H	PROPOSAL	JUL04/12	L.CHAN
J	PROPOSAL	MAR03/14	L.CHAN
K	ADD NEW COLOR OPTION	FEB09/17	L.CHAN
L	REPLACE THE DRAWING FRAME	JUL06/18	L.CHAN
M	FIX THE ERROR FOR LED SPEC.	SEP11/19	L.CHAN

UNLESS SPECIFIED OTHERWISE	DRAWN PAUL WANG	JUL22/05
PRIMARY UNITS	CHECKED LAWRENCE C	JUL22/05
SECONDARY	M.E. APP'D	
REFERENCE IN PARENTHESES	Q.A. APP'D	
GENERAL TOLERANCES	DWG APP'D	
1 DECIMAL PLACE	ENG. REL NO.	
2 DECIMAL PLACES	REF.	
3 DECIMAL PLACES		
ANGULAR DEGREES	THIRD ANGLE PROJECTION	DO NOT SCALE DRAWING

Amphenol Canada Corp. Commercial Products	
LED OPTIONS FOR RJSAE, MULTI-PORT CONNECTORS - RoHS COMPLIANT	
DWG NO. P-RJSAE-LEDS	REV M
CODE ID NO. 03554	DWG SIZE N/A SCALE N/A SHEET 1 OF 1