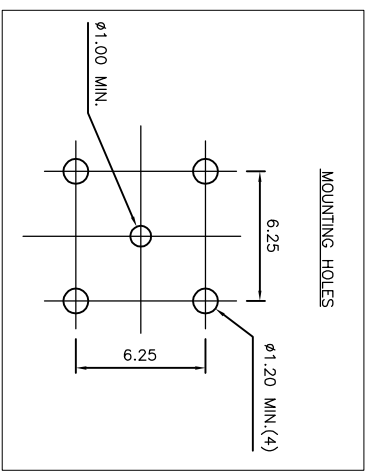
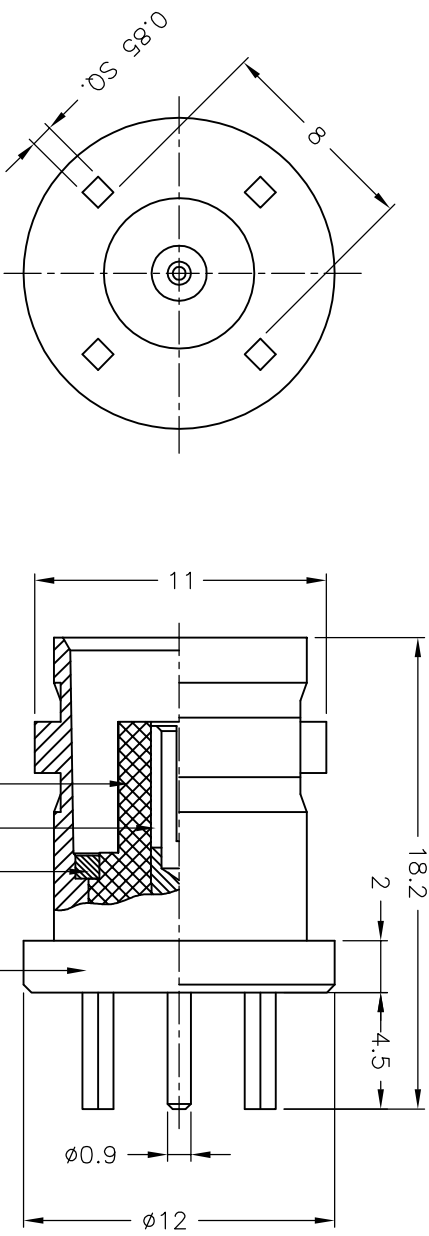


REVISIONS		DATE	DMN	APVD
P	LTR			
C	REVISE PER ECR-15-018032	11DEC2015	LN	RS



- NOTES:
- △ SINGLE PACKING: ONE CONNECTOR PER LABELED BAG PACKAGED. LABELED PER TEC--107-115
 - △ TRAY PACKAGED
 - △ Ag PLATING
 - △ WHITE BRONZE PLATING

- 5 ELECTRICAL CHARACTERISTICS
 - FREQUENCY RANGE: DC - 4 GHz
 - NOMINAL IMPEDANCE: 50 Ohm
 - INSULATION RESISTANCE: 5000 Mohm
 - WORKING VOLTAGE: 500 Volts RMS at Sea Level
 - DIELECTRIC WITHSTAND VOLTAGE: 1500 Volts RMS Max
 - CONTACT RESISTANCE: 1.50 mohm Max
 - CENTRE CONTACT: 0.20 mohm Max
 - OUTER CONTACT: N/A
 - YSMR @ xGHz: N/A
 - INSERTION LOSS xdb: N/A
- 6 MECHANICAL CHARACTERISTICS
 - COUPLING RETENTION FORCE: N/A
 - CABLE RETENTION FORCE: N/A
 - DURABILITY: 500 Cycles Min
- 7 ENVIRONMENTAL CHARACTERISTICS
 - OPERATING TEMPERATURE: -65 to +165 DegC
- 8 ALL DIMENSIONS ARE NOMINAL FOR REFERENCE ONLY UNLESS OTHERWISE STATED

QTY	DESCRIPTION	MATERIAL	ITEM
1	BRASS BODY	BRASS	4
1	BRASS SLEEVE	BRASS	3
1	BRONZE CONTACT	BRONZE	2
1	PTFE INSULATION	PTFE	1
6--1	MATERIAL DESCRIPTION	MATERIAL	1

THIS DRAWING IS A CONTROLLED DOCUMENT.

DMN J.SANDWELL 04AUC06
 CHK S.PARLOW 04AUC06
 APVD F.WHEELER-KING 04AUC06
 PRODUCT SPEC
 APPLICATION SPEC
 WEIGHT 0.000000
 CUSTOMER DRAWING

DIMENSIONS:	TOLERANCES UNLESS OTHERWISE SPECIFIED:
mm	±
0 P.L.C	±
1 P.L.C	±
2 P.L.C	±
3 P.L.C	±
4 P.L.C	±
ANGLES	±

DMN J.SANDWELL 04AUC06
 CHK S.PARLOW 04AUC06
 APVD F.WHEELER-KING 04AUC06
 PRODUCT SPEC
 APPLICATION SPEC
 WEIGHT 0.000000
 CUSTOMER DRAWING



DMN J.SANDWELL 04AUC06
 CHK S.PARLOW 04AUC06
 APVD F.WHEELER-KING 04AUC06
 PRODUCT SPEC
 APPLICATION SPEC
 WEIGHT 0.000000
 CUSTOMER DRAWING

SIZE	PAGE CODE	DRAWING NO	RESTRICTED TO
A3	00779	1478204	