

DO NOT SCALE FROM THIS PRINT

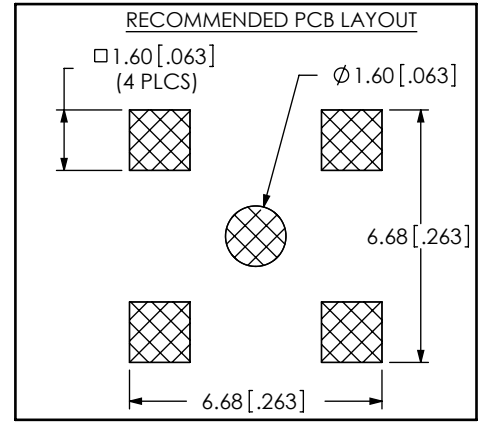
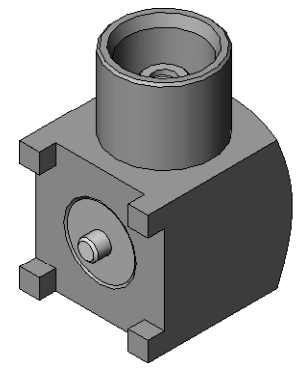
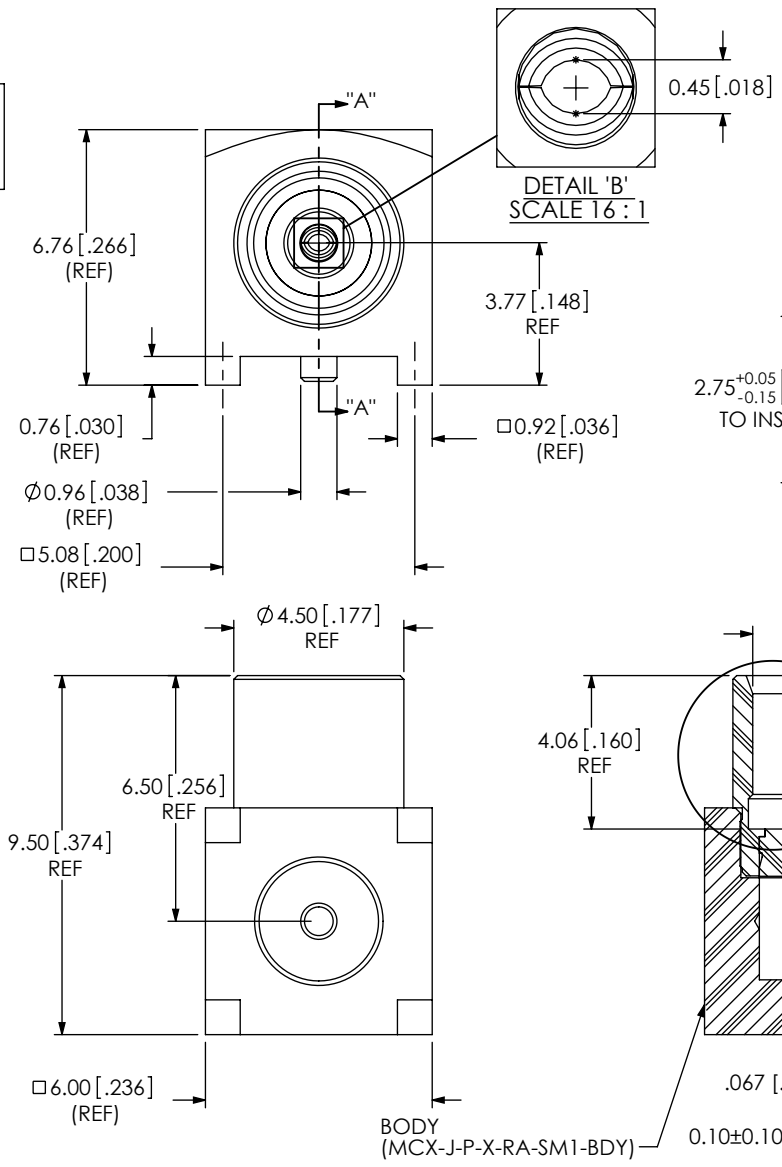
DESIGNED & DIMENSIONED IN MILLIMETERS [INCHES]

THIS PRODUCT MANUFACTURED WITH LEAD-FREE PROCESSING

**MCX-J-P-X-RA-SM1**

GENDER -J: JACK  
 TYPE -P: PCB

TERMINATION -SM1: SURFACE MOUNT  
 ORIENTATION -RA: RIGHT ANGLE  
 PLATING SPECIFICATION -H: HEAVY GOLD



- NOTES:
- Ⓢ REPRESENTS A CRITICAL DIMENSION.
  - PUSHOUT FORCE FOR INSULATOR: 20 N [4.5 LB] MIN.
  - PRODUCT TO BE PACKAGED PER PACKAGING STANDARD CO-HD-WI-3040-M.
  - RoHS COMPLIANT.
  - PLATING: -H: .000030" MIN GOLD OVER .000050" MIN NICKEL  
 -F: .000003" MIN GOLD OVER .000050" MIN NICKEL
  - ASSEMBLY PLATING DESIGNATION:  
 -H: (CENTER CONTACT) -H (OUTER CONTACT) -F (REMAINING METAL PARTS) -F

F:\DWG\MISC\MKTG\MCX-J-P-X-RA-SM1-MKT.SLDRW

UNLESS OTHERWISE SPECIFIED, DIMENSIONS ARE IN MILLIMETERS. TOLERANCES ARE:  
 DECIMALS ANGLES  
 .X: ±0.3 [.01] 2°  
 .XX: ±0.13 [.005]  
 .XXX: ±0.051 [.0020]

PROPRIETARY NOTE  
 THIS DOCUMENT CONTAINS INFORMATION CONFIDENTIAL AND PROPRIETARY TO SAMTEC, INC. AND SHALL NOT BE REPRODUCED OR TRANSFERRED TO OTHER DOCUMENTS OR DISCLOSED TO OTHERS OR USED FOR ANY PURPOSE OTHER THAN THAT WHICH IT WAS OBTAINED WITHOUT THE EXPRESSED WRITTEN CONSENT OF SAMTEC, INC.

MATERIAL: DO NOT SCALE DRAWING SHEET SCALE: 5:1  
 CONTACT: BRASS  
 SHELL, BODY: COPPER ALLOY  
 DIELECTRIC: PTFE

**samtec**  
 520 PARK EAST BLVD. NEW ALBANY, IN 47150  
 PHONE: 812-944-6733 FAX: 812-948-5047  
 e-Mail: info@SAMTEC.com code 55322

DESCRIPTION: MCX RIGHT ANGLE, SMT JACK- 50 OHM  
 DWG. NO. MCX-J-P-X-RA-SM1