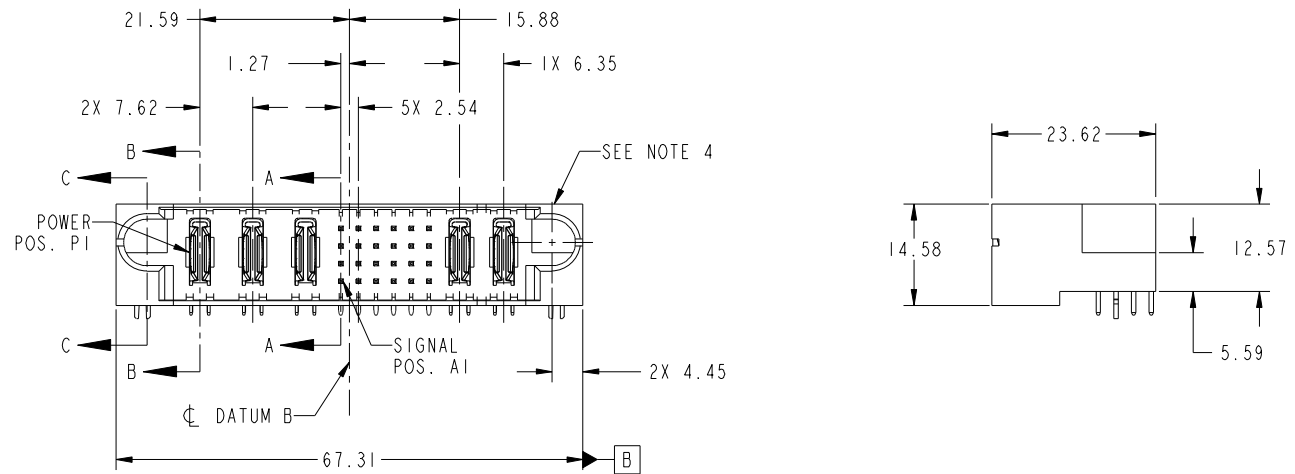


Tous droits strictement réservés. Reproduction ou communication a des tiers interdite sous quelque forme que ce soit sans autorisation écrite du propriétaire. Propriété de c FCI. Droits de reproduction FCI.



All rights strictly reserved. Reproduction or issue to third parties in any form whatever is not permitted without written authority from the proprietor. Property of FCI. Copyright FCI.

PRODUCT NO.	ROWS	POWER			SIGNAL						POWER			
		E1	P1	P2	P3	1	2	3	4	5	6	P4	P5	E2
51939-405... NOTE 3	D C B A													



CODE	DIM "M" MATING LENGTH	CONTACT TYPE
U	[6.86]	SIGNAL
T	[6.86]	SIGNAL
S	[6.86]	SIGNAL
R	[6.86]	SIGNAL
PA	[N/A]	POWER
HA	[N/A]	HOLD-DOWN
F	[5.59]	SIGNAL
H	[5.59]	SIGNAL

mat'l code				SEE NOTE		tolerances unless otherwise specified		CUSTOMER		 www.fciconnect.com	
ltr	ecn no.	dr	date	linear	0.X ± 0.5	projection		COPY		title	
A	DG09-0017	JW	12/19/08	angles	0.XX ± 0.25					3ACP + 24S + 2P RIGHT ANGLE SOLDER HEADER	
				dr	0.XXX ± 0.1	scale		product family		PwrBlade	code
				enr	0° + 2°	1:1		size		A	213
				chr	JULIA WANG 12/19/08			dwg no		51939-405	sheet
				appd	JEROME CHEN 12/19/08			1 of 4			
					GARY HSIEH 12/19/08			cage code		22526	
					JOSEPH HSIA 12/19/08						
sheet index	revision sheet	A	A	A	A						
		1	2	3	4						

Pro/E

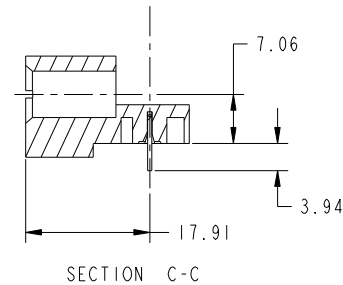
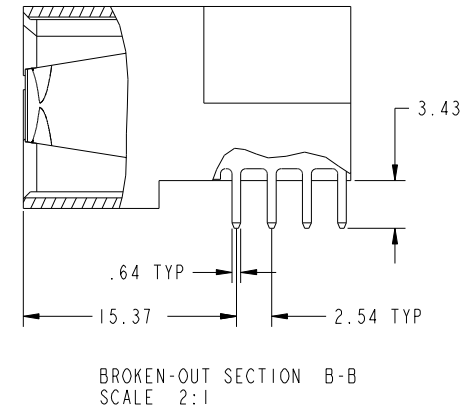
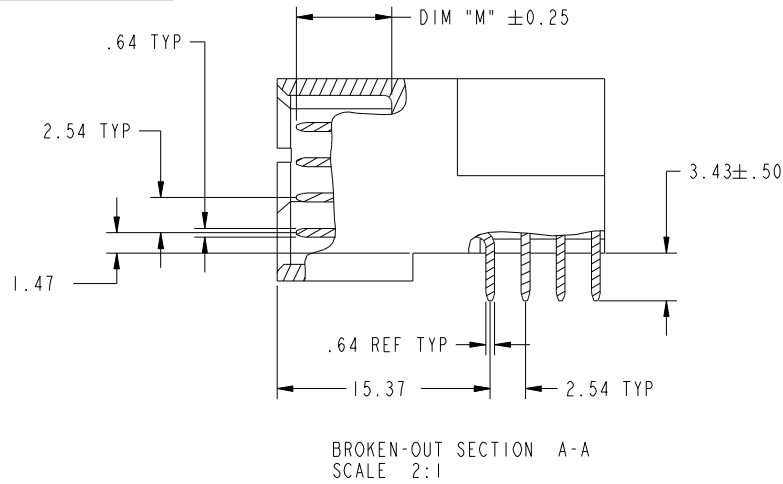
cage code 22526

Tous droits strictement reserves. Reproduction ou communication a des tiers interdite sous quelque forme que ce soit sans autorisation ecrite du proprietaire. Propriete de c FCI. Droits de reproduction FCI.

All rights strictly reserved. Reproduction or issue to third parties in any form whatever is not permitted without written authority from the proprietor. Property of FCI. Copyright FCI.



PRODUCT NUMBER
51939-405--
NOTE: 3



mat'l code				SEE NOTE	tolerances unless otherwise specified		CUSTOMER		FCI	
ltr	ecr no.	dr	date	linear	0.X ±0.5	COPY		www.fciconnect.com		
A				angles	0.XX ±0.25	projection		title		
				dr	0.XXX ±0.1	MIM		3ACP + 24S + 2P		
				enr	0° ±2°	scale		RIGHT ANGLE SOLDER HEADER		
				chr	JULIA WANG 12/19/08	1:1		product family		PwrBlade
				appd	JEROME CHEN 12/19/08			size		code
					GARY HSIEH 12/19/08			dwg no		213
					JOSEPH HSIA 12/19/08			A		sheet
sheet index	revision sheet							51939-405		2 of 4

cage code 22526

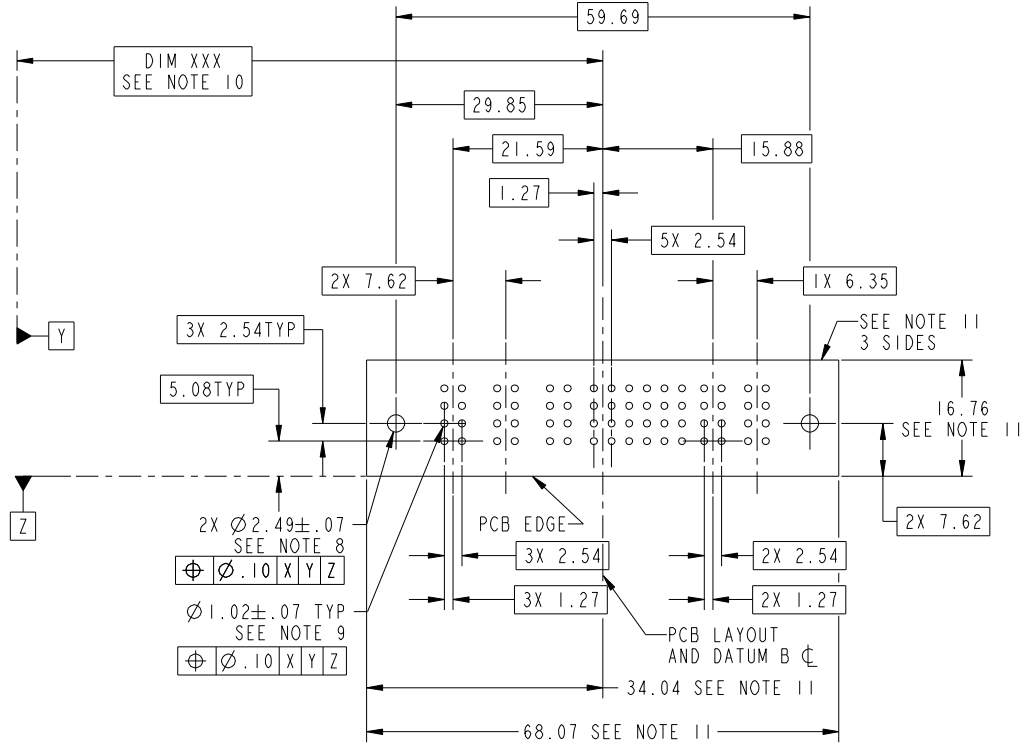
Pro/E

Tous droits strictement reserves. Reproduction ou communication a des tiers interdite sous quelque forme que ce soit sans autorisation écrite du propriétaire. Propriete de c FCI. Droits de reproduction FCI.



All rights strictly reserved. Reproduction or issue to third parties in any form whatever is not permitted without written authority from the proprietor. Property of FCI. Copyright FCI.

PRODUCT NUMBER
51939-405_
NOTE: 3



RECOMMENDED PCB LAYOUT

mat'l code		SEE NOTE		tolerances unless otherwise specified		CUSTOMER		FCI	
ltr	ecn no.	dr	date	linear	0.X ± 0.5	COPY		www.fciconnect.com	
A				angles	0.XX ± 0.25	projection		title	
					0.XXX ± 0.1	MIM		3ACP + 24S + 2P	
				dr	0° ± 2°	scale		RIGHT ANGLE SOLDER HEADER	
				enr	JULIA WANG 12/19/08	1:1		product family PwrBlade	
				chr	JEROME CHEN 12/19/08	A		code 213	
				appd	GARY HSIEH 12/19/08			size dwg no	
					JOSEPH HSIA 12/19/08			51939-405	
sheet index	revision sheet							sheet 3 of 4	

cage code 22526

Pro/E

Tous droits strictement reserves. Reproduction ou communication a des tiers interdite sous quelque forme que ce soit sans autorisation écrite du propriétaire. Propriete de c FCI. Droits de reproduction FCI.



All rights strictly reserved. Reproduction or issue to third parties in any form whatever is not permitted without written authority from the proprietor. Property of FCI. Copyright FCI.

PRODUCT NUMBER
51939-405--
NOTE: 3

NOTES:

1. DIMENSIONS AND TOLERANCES ARE IN ACCORDANCE WITH ASME Y14.5M, 1994 UNLESS OTHERWISE SPECIFIED.

CONNECTOR NOTES:

- 2. HOUSING MATERIAL: UL 94 V-0 GLASS FILLED
HIGH-TEMP THERMOPLASTIC
POWER CONTACT MATERIAL: COPPER ALLOY
SIGNAL PIN MATERIAL: COPPER ALLOY
- 3. PLATING.
SEE ITEM 1 & 2 IN PRINT 10064183 FOR PLATING SPEC. OF 51939-405; 51939-405LF RESPECTIVELY.
- 4. MANUFACTURER'S NAME, P/N, AND DATE CODE TO APPEAR ON THIS SURFACE.
- 5. PRODUCT SPECIFICATION GS-12-149.
APPLICATION SPECIFICATION BUS-20-067.
- 6. PACKAGED IN TRAYS.

PCB NOTES:

- 7. ALL HOLE DIAMETERS ARE FINISHED HOLE SIZE.
- 8. MOUNTING HOLES, WHERE APPLICABLE, ARE UNPLATED.
- 9. $\varnothing 1.151 \pm 0.025$ DRILLED HOLES PLATED WITH 0.008 MIN SnPb OR Sn OVER 0.03 TO 0.08 Cu PLATING TO ACHIEVE $\varnothing 1.02 \pm .07$ HOLE.
- 10. "DIM XXX" TO BE DETERMINED BY THE CUSTOMER.
- 11. CONNECTOR KEEP-OUT ZONE.

mat'l code		SEE NOTE		tolerances unless otherwise specified		CUSTOMER		FCI		www.fciconnect.com	
ltr	ecr no.	dr	date	linear	0.X ± 0.5	COPY		projection	title		
A					0.XX ± 0.25	MIM			3ACP + 24S + 2P		
				angles	0.XXX ± 0.1	←			RIGHT ANGLE SOLDER HEADER		
				dr	JULIA WANG 12/19/08	scale		product family		PwrBlade	code
				enr	JEROME CHEN 12/19/08	1:1		size	dwg no		213
				chr	GARY HSIEH 12/19/08	A		51939-405		sheet	4 of 4
				appd	JOSEPH HSIA 12/19/08						
sheet index	revision sheet										

cage code 22526

Pro/E