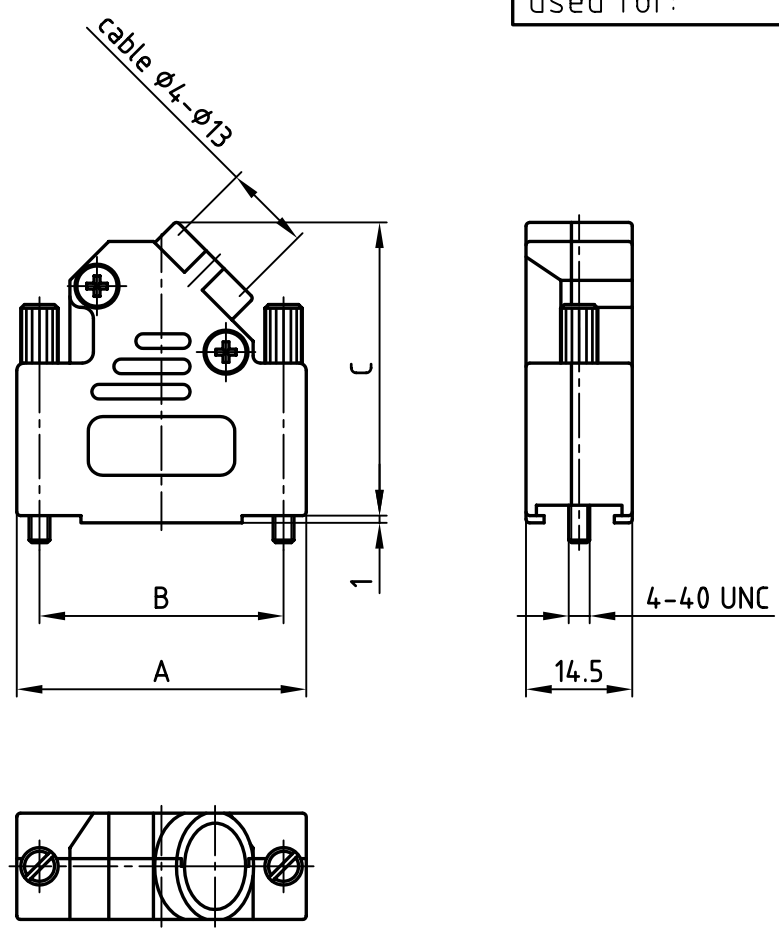


used for: D-SUB



No. of pos.	A	B	C	Part NO.
9	31.0	25.0	36.2	165X02689XE
15	39.5	33.3	40.2	165X02699XE
25	53.2	47.0	40.2	165X02709XE
37	69.7	63.5	40.2	165X02719XE

Directive 2002/95/EC  
"RoHS"  
Compliant

APPROVAL # FREIGABE # DEBLOCAGE # AUTORIZACION # APPROVAL

CUSTOMER APPROVAL DATE:

NAME: TITLE:

COMPANY NAME:

APPROVAL # FREIGABE # DEBLOCAGE # AUTORIZACION # APPROVAL

**Technical Data:**

Material and finish: zinc die-cast, nickel plated  
 Cable strain relief: steel fibre reinforced polycarbonate UL 94 V-0  
 Temperature range: -40°C to +120°C  
 Attenuation factor: > 40dB between 30 MHz and 1 GHz

THIS DRAWING MAY NOT BE COPIED OR REPRODUCED IN ANY WAY, AND MAY NOT BE PASSED ON TO A THIRD PARTY WITHOUT WRITTEN PERMISSION.  
 OWNERSHIP AND COPYRIGHT OF CONEC GmbH  
 DO NOT ALTER CAD DRAWING BY HAND

rev.	description	date	name
a	Origin		



tolerance	scale: 1:1
dim. in mm	material: SEE NOTES
2006 date name	<b>METAL HOOD</b> 9-37pos. EMI/RFI SHIELDING with side cable exit and jack screws
drawn 09.02. Lehmenkühler	
appd. 09.02. Mickenbecker	
norm DIN 41652	
d-old	dwg no: AutoCAD 2004 DIN-A
	16K1A1745 4
	sh: 1/1
	part no: SEE TABLE

4 3 2 1

F

F

E

E

D

D

C

C

B

B

A

A

4 3 2 1