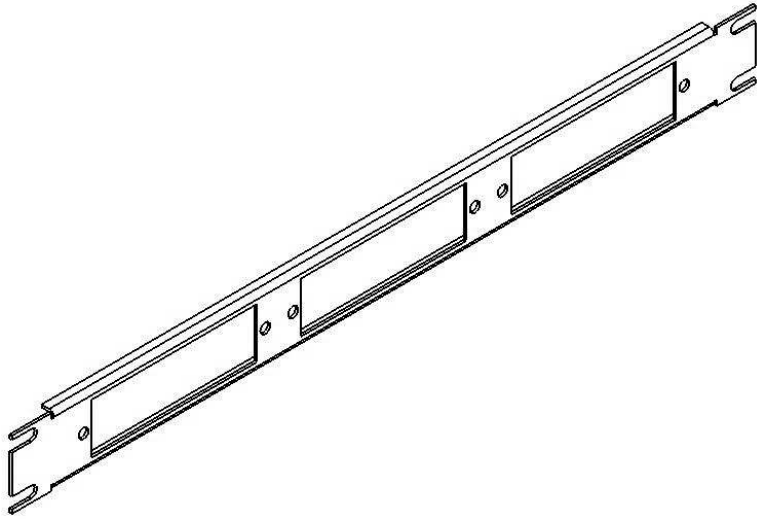


# FIS 1 RU FLUSH MOUNT PATCH PANEL



## FEATURES

- 19" rack mountable
- Accepts 3 LGX style adapter plates, modules or cassettes
- Flush Mount
- Dimensions: 19"W x 1.75" H
- Powder coated 0.60" Aluminum

## SPECIFICATIONS

<b>Dimension</b>	19"W x 1.75" H
<b>Capacity</b>	3 LGX Style Plates
<b>Material</b>	.060" Aluminum
<b>Coating</b>	Electro Statically Applied Powder Coat; Available in Black or Off-White

## ORDERING INFORMATION

<b>F1-FM1RU3X</b>	3-Panel w/Black Powder Coat
<b>F1-FM1RU3X-BW</b>	3-Panel w/Off-White Powder Coat

## TECH DRAWING

