



### Product Description:

- Respiratory Hygiene Station - Locking
- Holds two boxes of face masks, one to two boxes of facial tissues, and one hand sanitizer bottle
- Hinged, locking lid over masks/tissues and flexible, locking lid to secure hand sanitizer bottle
- Keyholes for wall mounting, can sit on a counter, or mount to a floor stand
- Made of Quartz Beige ABS Plastic and Clear PETG Plastic

### Primary Area for Product Usage:

- Emergency and admitting departments, all ports of entry, outpatient radiology/MRI, outpatient labs and pharmacies

### Dispenses:

Most brand name boxes of face masks and tissues

- Bottle compartment: one bottle no larger than 3.75"W x 9.00"H x 3.75"D (9.5 cm x 22.9 cm x 9.5 cm)
- Center section: two boxes of facemasks no larger than 7.75"W x 4.00"H x 4.75"D (19.7 cm x 10.2 cm x 12.1 cm)
- Right section: one large or two small boxes of tissue no larger than 5.50"W x 10.00"H x 4.75"D (14.0 cm x 25.4 cm x 12.1 cm)

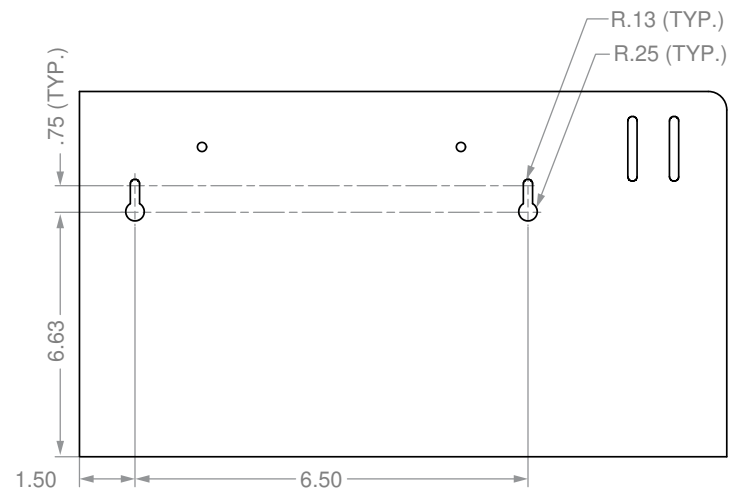
### Package Specifications:

- Package Quantity: 2 per case
- 21"W x 14"H x 10"D (53.3 cm x 35.6 cm x 25.4 cm)
- 6.0 lbs (2.7 kg) - approximated

### Product Specifications (overall external dimensions):

- 17.50"W x 10.00"H x 5.00"D (44.5 cm x 25.4 cm x 12.7 cm)
- 3.2 lbs (1.5 kg) - approximated

### Mounting Specifications:



### Companion Products (each sold separately):

- MP-070, Sign Holder - Vertical (not pictured)
- MP-075, Sign Holder - Horizontal
- KS010-0412, Floor Stand

### Related Products (sold as kits):

- BD162-0012, Cover Your Cough Compliance Kit
  - FD-062, Respiratory Hygiene Station - Locking
  - KS010-0412, Floor Stand
  - MP-070, Sign Holder - Horizontal
- BD262-0012, Cover Your Cough Compliance Kit
  - FD-062, Respiratory Hygiene Station - Locking
  - MP-070, Sign Holder - Horizontal



BD162-0012



BD262-0012

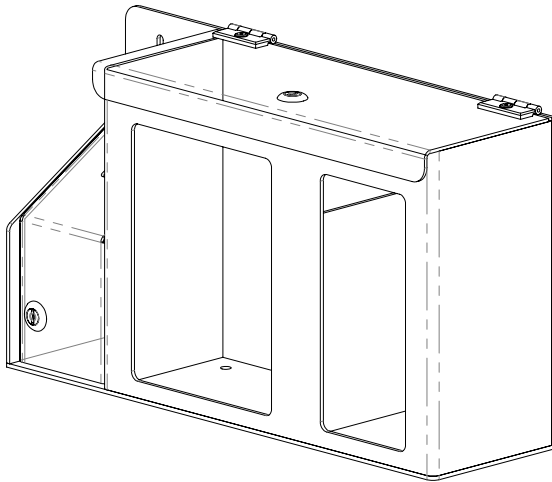




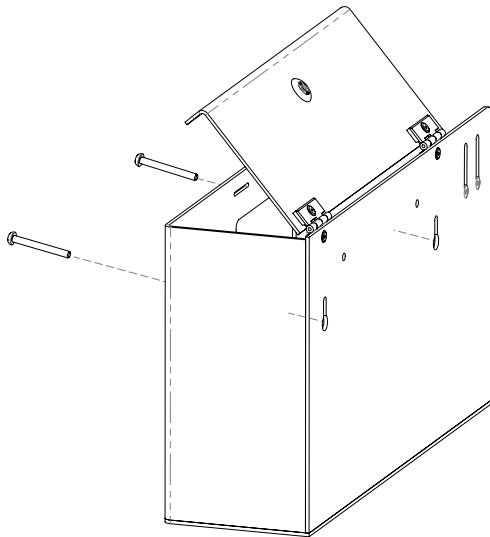
## Installation

Always mount dispensers securely *prior* to loading with product.

- Clear locking lids secure consumable items, yet provide stock visibility.
- Lid over sanitizer is adjustable for different height bottles.



- Mount securely to a wall with screws approved and supplied by building maintenance.



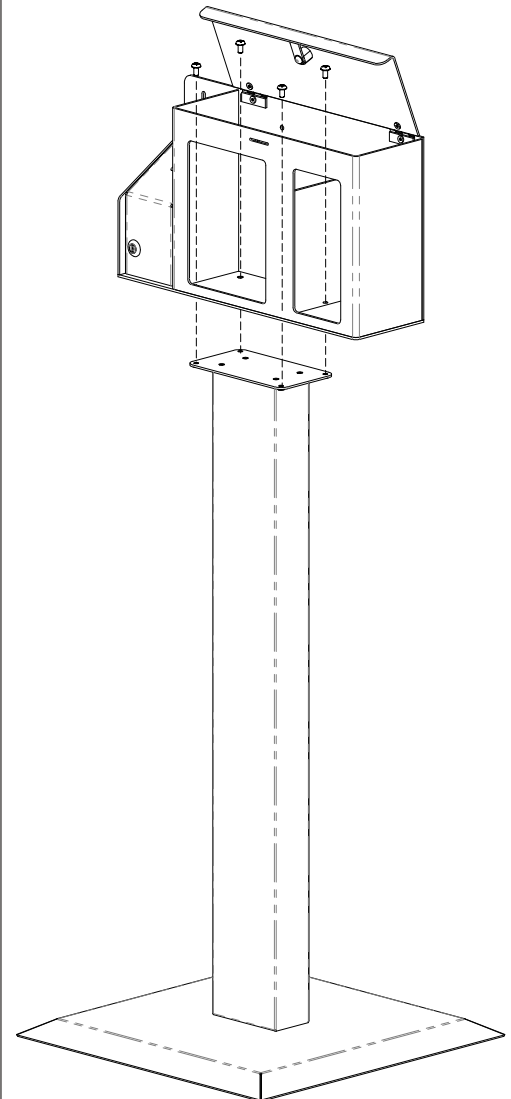
### Parts included:

- Dispenser

### Tools Required:

- No tools required to assemble dispenser

- It can also be mounted to a BOWMAN® Floor Stand (sold separately).





## Station Body

ABS Plastic

## Locking Lids

PETG Plastic

### Material Characteristics

#### Designed for Long-Term, Heavy-Duty Applications

The combination of copolymers (Acrylonitrile, Butadiene, and Styrene) gives ABS an excellent combination of strength, rigidity, and toughness. The fauxwood finish is ARVINYL laminate created from a semi-rigid film.

ABS is chemical and stress-crack resistant. It is tough, dimensionally stable, and will hold up to long-term use. To ensure product longevity, fauxwood products should not be mounted in very hot or cold areas.

#### Designed for Long-Term, Heavy-Duty Applications

Copolyester resin is designed for heavy-duty applications, and is used by BOWMAN® Dispensers. We never use acrylic in our products.

Copolyester (PETG) is typically 15-20 times tougher than general purpose acrylic. PETG is made to withstand handling and reduce losses due to breakage.

PETG resists a variety of chemicals and commonly used cleaning agents. It is tough and durable (not brittle), providing years of trouble-free functionality and long life.

Clear optical characteristics mean the viewer can see the content, read text, and see true colors through the material. It complies with FDA regulations for food contact.

### Care and Cleaning

Use mild soap and water to clean. Petroleum-based oils, solvents, and paints should not be used.

Standard hospital cleaning supplies are approved for use on our ABS plastic products.

Most cleaning chemicals do not weaken the surface or cause damage to the material. Suggested cleaning method is to use a soft cloth, warm water, and mild soap.