

HIGH DENSITY **TERMINAL BLOCKS**



SERIES TB PRODUCT PROFILE

c3controls' new line of **High Density Terminal Blocks** are both innovative and user-friendly. They are available in multiple terminal points from 4, 6, and 12 in a single molded housing, are simple to install, and carry an electrical rating of 30A @ 600V AC (UL/CSA) and 30A @ 750V AC (IEC).

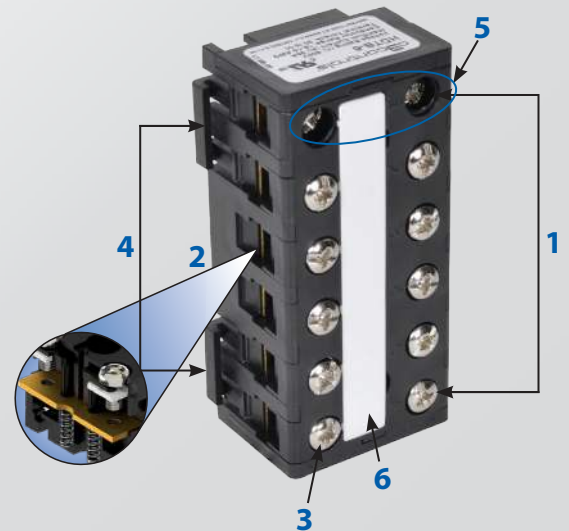


ENGINEERED TO HANDLE YOUR MOST COMPLEX WIRING APPLICATIONS.

✓ Proven	Our high density terminal blocks meet UL and CSA standards, and are RoHS compliant.
✓ Multiple Wire Sizes	High density terminal blocks accommodate #18 to #10 AWG wires (0.34 – 4mm ²).
✓ Wide Range of Operation	A wide range of 4, 6, and 12 point circuit terminal blocks in a single molded housing rated for 600V, 30A continuous service.
✓ Convenient	c3controls high density terminal blocks are directly interchangeable with GE CR151 terminal blocks.
✓ Wiring Made Easy	Wiring to the terminal blocks is made easy by unobstructed access to terminals and with screws in the fully backed-out position.
✓ Heavy-Duty Construction	We mold our terminal block housings from unbreakable thermoplastic and we use quality zinc plated brass and electrolytic copper for our metal parts for excellent conductivity and to minimize corrosion.
✓ Quick Identification	Terminal markers are available and can be hand marked or custom printed.
✓ Easy to Install	Available panel mounting or 35mm DIN rail mounting for easy assembly.
✓ Time Savings	Individual blocks can be quickly and easily added or removed without disturbing adjacent blocks. Only a screwdriver is required for removal.
✓ Lifetime Warranty*	Every product is backed by our lifetime warranty—unmatched in the industry—bringing you quality components that perform in the most demanding applications.
✓ Guaranteed Same-Day Shipping*	Product availability reduces inventory, and improves cash-flow—saving you money. With c3controls any order for standard catalog items received by 6:00pm ET is guaranteed to ship same-day.
✓ Advantage Pricing	Our approach to product development, manufacturing, and focus on servicing the OEM and Electrical Equipment Builder reduces cost. The result—the best value in the industry.

UNIQUE PRODUCT LINE FEATURES

1. Multiple terminal points: 4, 6, or 12 in a single molded housing.
2. Out of the box and ready to install! Screws come in the backed out position with convenient spring-return open terminals for easy wiring.
3. Rugged, corrosive resistant materials and 8 - 32 terminal screws.
4. Integrated 35mm DIN Rail snap and panel mounting geometry.
5. Integrated IP20 guarded terminals prevent accidental contact.
6. Large marking strip available that can be hand marked or custom printed with a plotter.



*See c3controls Terms & Conditions



HIGH DENSITY TERMINAL BLOCKS

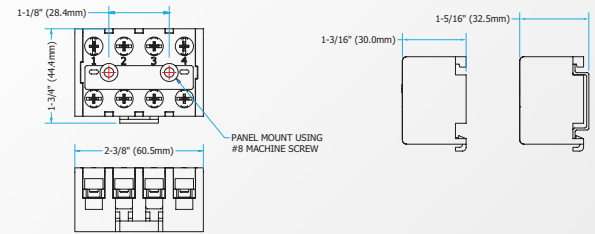
SPECIFICATIONS

	UNITS	HDTB-4	HDTB-6	HDTB-12
SPECIFICATIONS		4 Circuit Terminal Block	6 Circuit Terminal Block	12 Circuit Terminal Block
Certifications		UL 1059 File #: E145984	UL 1059 File #: E145984	UL 1059 File #: E145984
Voltage Rating	V	600	600	600
Maximum Current	A	30	30	30
Wire Range	AWG	#18 - #10	#18 - #10	#18 - #10
Wire Strip Length	in.	5/16	5/16	5/16
Tightening Torque	lb-in.	7-12 (max. 18-20)	7-12 (max. 18-20)	7-12 (max. 18-20)
ROHS COMPLIANCE		For RoHS compliance documentation by product, refer to www.c3controls.com .		

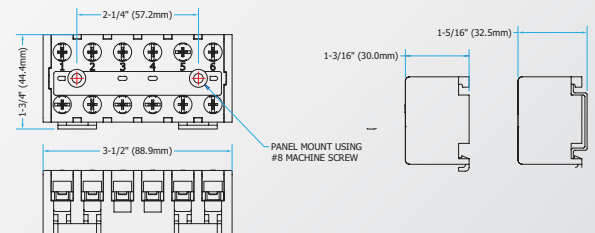
For complete ratings and detailed specifications refer to www.c3controls.com.

DIMENSIONS

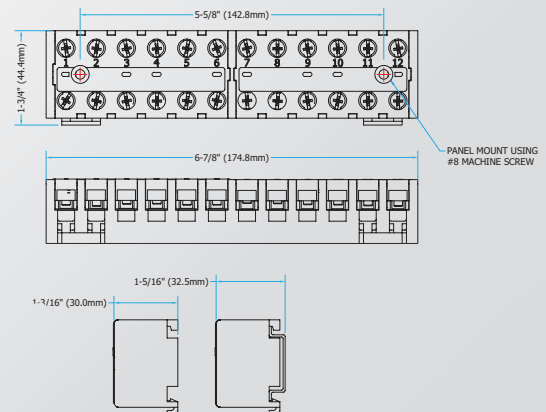
HDTB-4



HDTB-6



HDTB-12



CERTIFICATIONS

Conformity to Standards:

UL 1059
CSA C22.2 No. 65, 188
IEC 60947-1, 60947-7

Certifications:

UL File #: E145984 (Guide XCFR2, XCFR8)
CE Marked (per EU Low Voltage Directive 2006/95/EC and RoHS Directive 2011/65/EU)



Visit www.c3controls.com to download product certifications.



c3controls

Copyright © 2019 c3controls. All Rights Reserved.
REVISION 08.2019