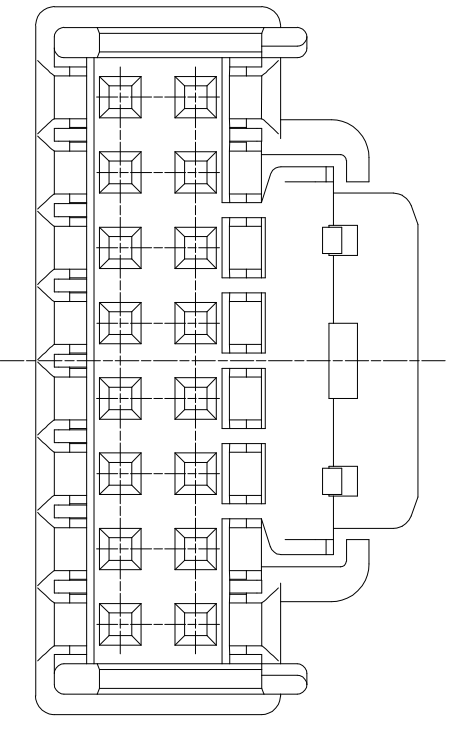
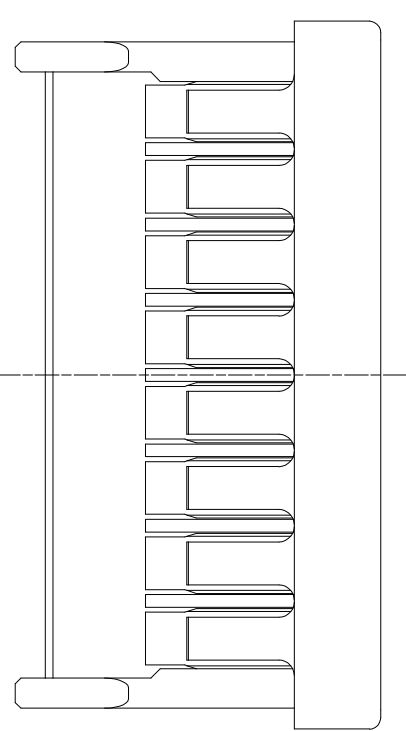
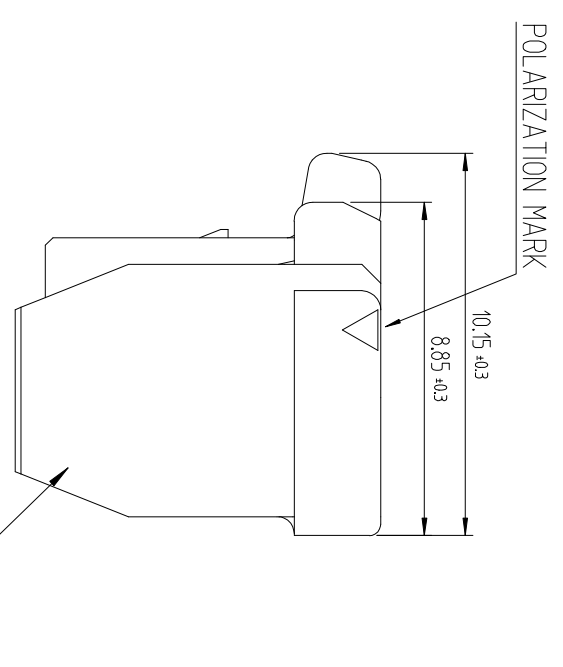
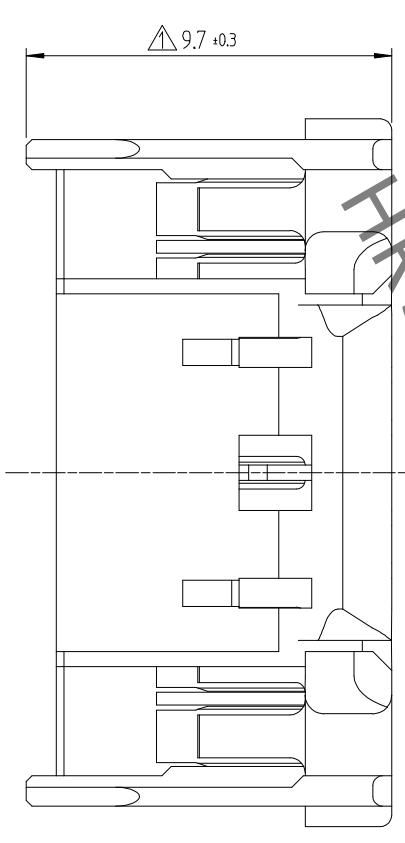
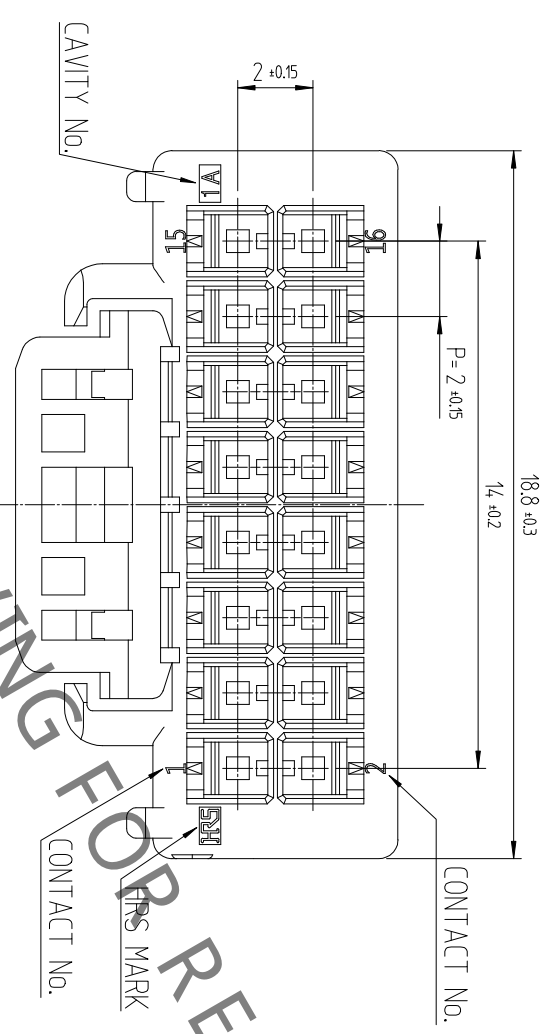


△數 COUNT	訂正事項 DESCRIPTION OF REVISIONS	檢査 CHKD	年月日 DATE	△數 COUNT	訂正事項 DESCRIPTION OF REVISIONS	檢査 CHKD	年月日 DATE
1	RE-6-1150	K.I.Y	18. 07. 04	△			.. .
2	RE-6-1579	K.I.Y	20. 01. 23	△			.. .



NOTE 1. 1PACK CONTAINS 100PCS.

△2. UL/FILE No. E132750 AUTHORIZATION ARTICLE.

C-UL/FILE No. E132750 AUTHORIZATION ARTICLE.



NO.	MATERIAL	FINISHREMARKS	NO.	MATERIAL	FINISHREMARKS
1	PBT	UL94V-0, BLACK			

DRAWN	DESIGNED	CHECKED	APPROVED	RELEASED
CHOI 17.12.22 J.S	CHOI 17.12.22 J.S	LIM 17.12.22 S.M	KANG 17.12.22 T.S	ENG 20.02.12 DEPT

SCALE 5:1 UNITS MM	DRAWING NO. EDC3-632497	PART NO. DF51K-16DS-2C (800)
	HRS HIROSE KOREA CO.,LTD.	CODE NO. CL 6652-0031-2-800

1/1